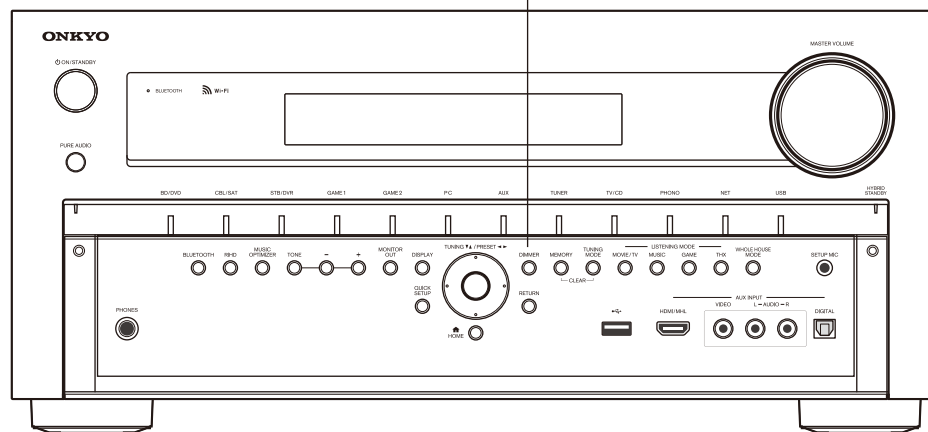


ONKYO® SERVICE MANUAL

AV RECEIVER MODEL TX-NR929(B)/(S)

North American models ----> "DIMMER"
European and Australian models ----> "RT/PTY/TP"




Black and Silver models



RC-840M

B MDC	120V AC, 60Hz
B MMP, B MMB, B MMA, S MMP	220-240V AC, 50/60Hz
B MMR	220-240V AC, 50/60Hz

SAFETY-RELATED COMPONENT WARNING!!

COMPONENTS IDENTIFIED BY MARK  ON THE SCHEMATIC DIAGRAM AND IN THE PARTS LIST ARE CRITICAL FOR RISK OF FIRE AND ELECTRIC SHOCK. REPLACE THESE COMPONENTS WITH ONKYO PARTS WHOSE PART NUMBERS APPEAR AS SHOWN IN THIS MANUAL. MAKE LEAKAGE-CURRENT OR RESISTANCE MEASUREMENTS TO DETERMINE THAT EXPOSED PARTS ARE ACCEPTABLY INSULATED FROM THE SUPPLY CIRCUIT BEFORE RETURNING THE APPLIANCE TO THE CUSTOMER.

Features

Amplifier

- 135 Watts/Channel @ 8 ohms (FTC)
- 185 Watts/Channel @ 6 ohms (IEC)
- 230 Watts/Channel @ 6 ohms (JEITA)
- WRAT-Wide Range Amplifier Technology (5 Hz to 100 kHz bandwidth)
- Optimum Gain Volume Circuitry
- H.C.P.S. (High Current Power Supply) Massive High Power Transformer
- 3 Stage Inverted Darlington Amplifier Design

Processing

- THX Select2 Plus Certified
- Incorporates Qdeo™ technology for HDMI Video Upscaling (to 4K Compatible)
- HDMI (Audio Return Channel, 3D, DeepColor, x.v.Color, Lip Sync, 4K (up-scaling and Passthrough), DTS-HD Master Audio, DTS-HD High Resolution Audio, Dolby TrueHD, Dolby Digital Plus, DSD and Multi-CH PCM)
- Dolby TrueHD and DTS-HD Master Audio
- Dolby Pro Logic IIz and Audyssey DSX®
- DTS Neo:X
- Non-Scaling Configuration
- A-Form Listening Mode Memory
- Direct Mode
- Pure Audio Mode
- Music Optimizer for Compressed Digital Music files
- Phase Matching Bass System
- 192 kHz/24-bit D/A Converters
- Powerful and Highly Accurate 32-bit Processing DSP
- Jitter Cleaning Circuit Technology
- Digital Processing Crossover Network

Connections

- 9 HDMI Inputs (1 on front panel) and 2 Outputs
- 4K (up-scaling and Passthrough)-compatible HDMI Inputs
- Zone 2 HDMI Output
- Onkyo p for System Control
- 6 Digital Inputs (3 Optical/3 Coaxial)
- Component Video Switching (2 Inputs/1 Output)
- Banana Plug-Compatible Speaker Posts
- * In Europe, using banana plugs to connect speakers to an audio amplifier is prohibited.
- Powered Zone 2/3
- Bi-Amping Capability for FL/FR with FHL/FHR
- Analog RGB Video Input (D-sub 15) for PC
- Internet Radio Connectivity
- Network Capability for Streaming Audio Files
- Wi-Fi (Wireless LAN) Connectivity
- Wireless Music Playback via Bluetooth
- Front-Panel USB Input for Memory Devices
- MHL-Enabled AUX Front Input

Miscellaneous

- 40 FM/AM Presets
- Audyssey MultEQ® XT32 to correct room acoustic problems
- Audyssey Dynamic EQ® for loudness correction
- Audyssey Dynamic Volume® to maintain optimal listening level and dynamic range
- Crossover Adjustment (40/50/60/70/80/90/100/120/150/200 Hz)
- A/V Sync Control Function (up to 800 ms)
- Auto Standby Function
- On-Screen Display via HDMI
- Preprogrammed (with onscreen display setup) RI-Compatible Learning Remote with 4 Activities and Mode-Key LEDs
- ISF (Imaging Science Foundation) Video Calibration

Onkyo Corporation
Service Department

SERVICE PROCEDURE

PRECAUTIONS

1. Ground for the work-desk.
Place a conductive sheet such as a sheet of copper (with impedance lower than 10Mohm) on the work-desk and place the set on the conductive sheet so that the chassis.
2. Grounding for the test equipments and tools.
Test equipments and toolings should be grounded in order that their ground level is the same the ground of the power source.
3. Grounding for the human body.
Be sure to put on a wrist-strap for grounding whose other end is grounded.
Be particularly careful when the workers wear synthetic fiber clothes, or air is dry.
4. Select a soldering iron that permits no leakage and have the tip of the iron well-grounded.
5. Do not check the laser diode terminals with the probe of a circuit tester or oscilloscope.

REPLACING THE FUSE



This symbol located near the fuses indicates that the fuse used is fast operating type. For continued protection against fire hazard, replace with same type fuse. For fuse rating refer to the marking adjacent to the symbol.



Ce symbole indique que le fusible utilise est a rapide. Pour une protection permanente, n'utiliser que fusibles de meme type. Ce dernier est la qu le present symbol est appse.



This symbol located near the fuses indicates that the fuse used is slow operating type. For continued protection against fire hazard, replace with same type fuse. For fuse rating refer to the marking adjacent to the symbol.



Ce symbole indique que le fusible utilise est e lent. Pour une protection permanente, n'utiliser que fusibles de meme type. Ce dernier est la qu le present symbol est appse.

To initialize the unit

Refer to "Initial setting for shipping" on "OPERATION CHECK-6".

To check version of each Firmware

Refer to "Version confirmation" on "OPERATION CHECK-1".

Notes on repairs (Power supply board)

Some parts on BAPS-1398 may remain high voltages even after the power cord is disconnected from AC power source.

Before starting repair and any other work , please discharge C9002 by connecting resistors between its terminals.

Recommended resistor spec: 5 k ohms/ 10W

Refer to "SCHEMATIC DIAGRAMS-09-4(PART-9-4)".

DEBUG MODE-1

AUDIO DEBUG MODE-1/4

AUDIO DEBUG MODE (Display mode of the audio information)

The operations of DSP and DIR etc are able to checked by the information displayed on FL in this debug mode.

This information will help to analysing digital audio no sound trouble.

To set in Debug mode

1. Press twice the **ON/STANDBY** key while pressing the **DISPLAY** key.

e.g.

Main: 1.01/13515AE8

 The version number of microprocessor is displayed only for 3 seconds.

2. Press **+(TONE)** button while the version number of microprocessor is displayed.

e.g.

DSP 1st/NET: 1.07/13514AEA

 The version number of DSP is displayed only for 3 seconds.

3. Press **DISPLAY** button while the version number of DSP is displayed.

e.g.

0A0002: :00 ANA:o:NON: :

Audio debug mode
Step-1

4. Press **DISPLAY** button.

e.g.

1:ANA 048k048k 2/0.0: 2.0:3/4

 Step-2

5. Press **DISPLAY** button.

e.g.

2:o:PCM :PCM 00:x:F:OFF

 Step-3

6. Press **DISPLAY** button.

e.g.

SP00F*00F00409 48 48256STB

 Step-4

7. Press **DISPLAY** button.

e.g.

L : 0 0 R : 0 0

 Step-5

8. Press **DISPLAY** button.

e.g.

C : 0 0

 Step-6

9. Press **DISPLAY** button.

e.g.

LS : 0 0 RS : 0 0

 Step-7

10. Press **DISPLAY** button.

e.g.

LB : 0 0 RB : 0 0

 Step-8

11. Press **DISPLAY** button.

e.g.

LH : 0 0 RH : 0 0

 Step-9

12. Press **DISPLAY** button.

e.g.

LW : 0 0 RW : 0 0

 Step-10

13. Press **DISPLAY** button.

e.g.

SW : 0 0 SW2 : 0 0

 Step-11

14. Press **DISPLAY** button.

Exit

DEBUG MODE-2

AUDIO DEBUG MODE-2/4

Step-1

FL Display

1	1	2	2	3	3	:	A	A	:	B	B		
C	C	C	:	D	:	E	E	E	:	F	:	G	

1 st_srd.lmd

C LM LAST	0x01
C LM PURE	0x02
C LM DIRECT	0x03
C LM STEREO	0x04
C LM MONO	0x05
C LM SURR	0x20
C LM THX MUSIC	0x50
C LM THX GAME	0x70
C LM THX CINEMA	0x90
C LM THX U2GAME	0xA0
C LM THX U2MUSIC	0xA8
C LM THX U2CINEMA	0xB0
C LM AUDYSSEY	0xD0
C LM DTSSS	0x48
C LM ORCHESTRA	0x06
C LM UNPLUGGED	0x07
C LM STUDIOMIX	0x08
C LM TVLOGIC	0x09
C LM ALLCHST	0x0A
C LM FULLMONO	0x0B
C LM TD	0x0C
C LM TESTTONE	0xF1
C LM TESTTHR	0xF2
C LM TESTAUTO	0xF3
C LM ASC	0xF4
C LM FLASH	0xF5
C LM DEBUGMODE	0xF6
C LM FLASH2	0xF7
C LM FLASH3	0xF8
C LM FLASH4	0xF9
C LM FLASH CHECK	0xFA
C LM RPG	0x0D
C LM ACTION	0x0E
C LM ROCKBAND	0x0F
C LM SPORTS	0x10

2 st_srd.extdec

C EXTDEC OFF	0x00
C EXTDEC 20 PLII	0x01
C EXTDEC 20 PLIIX	0x02
C EXTDEC 20 PLIIZ	0x03
C EXTDEC 20 NEO6	0x04
C EXTDEC 51 MTR	0x05
C EXTDEC 51 DSC	0x06
C EXTDEC 51 NEO6	0x07
C EXTDEC 51 EX	0x08
C EXTDEC 51 PLIIX	0x09
C EXTDEC 51 PLIIZ	0x0A
C EXTDEC 9624	0x0B
C EXTDEC 9624 MTR	0x0C
C EXTDEC 71MULTI	0x0E
C EXTDEC 20 NEURAL	0x0F
C EXTDEC 51 NEURAL	0x10

3 st_srd.extdecmd

C EXTDECMD OFF	0x00
C EXTDECMD 10	0x01
C EXTDECMD 20	0x02
C EXTDECMD MOVIE	0x03
C EXTDECMD MUSIC	0x04
C EXTDECMD GAME	0x05
C EXTDECMD HEIGHT	0x06
C EXTDECMD WIDE	0x07

A Muting port

D	DIGMUTE port
A	AMUTE port

B Factor of muting

bit_1	SELMUTE
bit_2	POWMUTE
bit_3	PROTECTMUTE
bit_4	AUDIOOUTMUTE
bit_5	AUDIOMUTE

C Input

ANA	Analog
COX	Caxal
OPT	Optical
HDM	HDMI
ARC	ARC

D DSP Detect

o	DSP Detect OK
×	DSP No Detect

E Sound state

STB	SOUND STATE FIX
TRS	SOUND STATE UNFIX
NON	SOUND STATE NONE

F Display inhibit

S	display_inhibit SET
C	display_inhibit CLR

G HDMI mute

V	HDMI MUTE
---	-----------

DEBUG MODE-3**AUDIO DEBUG MODE-3/4****Step-2**

1	:	1	1	1	1	2	2	2	k	3	3	3	k
4	4	4	.	5	:	6	6	6	6	:	7	7	7

1 Type of input format
source_format

UNLK	DDR_UNLOCK
ANA	DDR_ANALOG
PCM	DDR_PCM
AC3	DDR_AC3
DTS	DDR_DTS
MPEG	DDR_MPEG
DATA	DDR_DATA
UNKW	DDR_UNKNOWN
NORD	DDR_NOT_READY
NPCM	DDR_NOT_PCM
FS96	DDR_FS96
NODT	DDR_NOT_DETECT
DTSC	DDR_DTSCD
AAC	DDR_AAC
MPCM	DDR_MCHPCM
MCH	DDR_MCH
TRUE	DDR_TRUE
MSTR	DDR_MSTR
DSD	DDR_DSD
PLUS	DDR_DDPLUS
EXPR	DDR_DTSEXP
DTSH	DDR_DTSHD

2 Sampling frequency
st_srd.fs

3 Sampling frequency for display
st_hd_display.fs

???	unknown
008	8kHz
011	11kHz
012	12kHz
016	16kHz
022	22kHz
024	24kHz
032	32kHz
044	44.1kHz
048	48kHz
064	64kHz
088	88.2kHz
096	96kHz
176	176.4kHz
192	192kHz

4 Number of input channels
for listening mode transition

5 Input channel

st_srd.lfe, st_srd.lfe2

0	SW 0ch
1	SW 1ch
2	SW 2ch

6 Number of channels for display
st_hd_display.prgfmt[4]

"10.2" "5.1" "1 +1" four-digit string

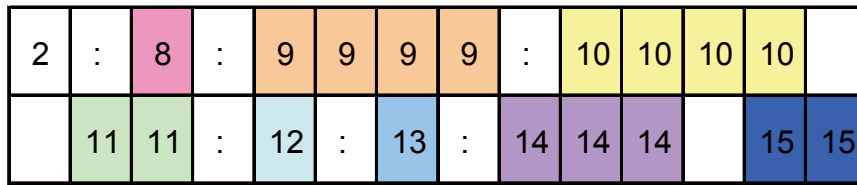
7 Number of channels after
the decoding process
hd_dec_prgfmt

???	C_FMT_UNKNOWN
10	C_FMT_10
20	C_FMT_20
30	C_FMT_30
21	C_FMT_21
31	C_FMT_31
22	C_FMT_22
32	C_FMT_32
23	C_FMT_23
33	C_FMT_33
24	C_FMT_24
34	C_FMT_34
4H2	C_FMT_42H
5H2	C_FMT_52H
4W2	C_FMT_42W
5W2	C_FMT_52W
4H4	C_FMT_44H
4H3	C_FMT_43H
5H4	C_FMT_54H
5H3	C_FMT_53H
4W4	C_FMT_44W
4W3	C_FMT_43W
5W4	C_FMT_54W
5W3	C_FMT_53W
11	C_FMT_11

DEBUG MODE-4

AUDIO DEBUG MODE-4/4

Step-3



8 Audio output OK?

f_dsp_detect_ok

o	Decode OK
x	Decode NG

9 Details of input format

st_srd.source

10 Details of input format

st_hd_display.source

ANA	C_SRC_ANA
PCM	C_SRC_PCM
DLB	C_SRC_DD
DEX	C_SRC_DD_EX
DTS	C_SRC_DTS
MTR	C_SRC_DTS_MTR
DSC	C_SRC_DTS_DSC
D96	C_SRC_DTS_96
96M	C_SRC_DTS_96M
AAC	C_SRC_AAC
MCH	C_SRC_MCH
DSP	C_SRC_DSP

MPCM	C_SRC_MCHPCM
DSD	C_SRC_DSD
TRUE	C_SRC_TRUE
TREX	C_SRC_TRUE_EX
MSTR	C_SRC_MSTR
PLUS	C_SRC_DDPLUS
PLEX	C_SRC_DDPLUS_EX
EXP	C_SRC_DTSEXP
DTSH	C_SRC_DTSHD
DSUR	C_SRC_DD_SUR
DPSR	C_SRC_DDPLUS_SUR
TRSR	C_SRC_TRUE_SUR

11 Dialog Norm

st_srd.dnorm

Dialog Norm value of 0 to 31

12 DIRINT

The return value of ddr Request_dir (DDC_STATUS)

o	LOCK
k	UNLOCK

13 DIR busy or free

The return value of ddr Request_dir (DDC_BUSY)

F	Free
B	Busy

14 Emphasis information

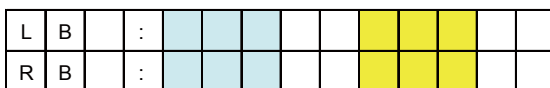
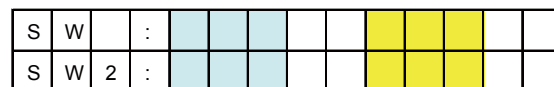
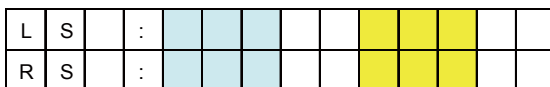
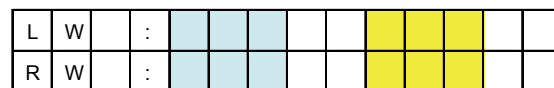
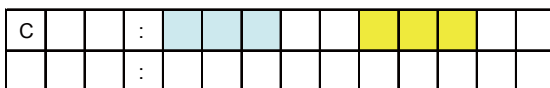
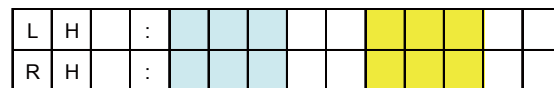
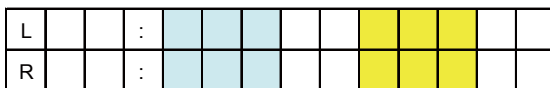
f_dir_empha_mode

ON	ON
OFF	OFF

15 HDDVD/BLUE(Only DDPLUS)

BD	Bluray
HD	HDDVD

Step-5 to Step-11



The sum of the values of Volume correction related to the DSP.

The sum of the values of Volume correction, including correction of the Analog stage.

DEBUG MODE-5

HDMI DEBUG MODE-1/4

HDMI-related operations can be checked to some extent by displaying HDMI debug mode.

To enter this mode

Hold down **DISPLAY** button for 3 seconds. Information display will last for about 8 seconds.

Resolution display method

1	0	8	0	i	/	6	0	→				
---	---	---	---	---	---	---	---	---	--	--	--	--

The first line : Input resolution

						1	0	8	0	i	/	6	0
--	--	--	--	--	--	---	---	---	---	---	---	---	---

The second line :Output resolution

List of standard resolution

U	N	K	N	O	W	N	
	4	8	0	i	/	6	0
	4	8	0	p	/	6	0
1	0	8	0	i	/	6	0
	7	2	0	p	/	6	0
1	0	8	0	p	/	6	0
	2	4	0	p	/	6	0
#	4	8	0	i	/	6	0
#	4	8	0	p	/	6	0
#	2	4	0	p	/	6	0
	5	7	6	i	/	5	0
	5	7	6	p	/	5	0
1	0	8	0	i	/	5	0
	7	2	0	p	/	5	0
1	0	8	0	p	/	5	0
	2	8	8	p	/	5	0
#	5	7	6	i	/	5	0
#	5	7	6	p	/	5	0
#	2	8	8	p	/	5	0
1	0	8	0	p	/	2	4
1	0	8	0	p	/	2	5

1	0	8	0	p	/	3	0
U	N	K	N	O	W	N	
		V	G	A			
1	0	8	0	i	1	0	0
	7	2	0	p	1	0	0
	5	7	6	p	1	0	0
	5	7	6	i	1	0	0
1	0	8	0	i	1	2	0
	7	2	0	p	1	2	0
	4	8	0	p	1	2	0
	4	8	0	i	1	2	0
	5	7	6	p	2	0	0
	5	7	6	i	2	0	0
	4	8	0	p	2	4	0
	4	8	0	i	2	4	0
*	4	8	0	p	/	6	0
*	5	7	6	p	/	5	0
	7	2	0	p	/	2	4
	7	2	0	p	/	2	5
	7	2	0	p	/	3	0

Display of Input Resolution ---> The first line

DVI input signal	<table border="1"> <tr> <td></td><td>4</td><td>8</td><td>0</td><td>I</td><td>/</td><td>6</td><td>0</td><td>→</td><td></td><td></td><td></td><td></td> </tr> <tr> <td></td><td>4</td><td>8</td><td>0</td><td>P</td><td>/</td><td>6</td><td>0</td><td>→</td><td></td><td></td><td></td><td></td> </tr> </table> <p>"I" and "P" will be capitalized.</p>		4	8	0	I	/	6	0	→						4	8	0	P	/	6	0	→				
	4	8	0	I	/	6	0	→																			
	4	8	0	P	/	6	0	→																			
VGA input signal	<table border="1"> <tr> <td></td><td>*</td><td></td><td>V</td><td>G</td><td>A</td><td></td><td></td><td>→</td><td></td><td></td><td></td><td></td> </tr> </table> <p>Display the "*" in column 1</p>		*		V	G	A			→																	
	*		V	G	A			→																			
No input	<table border="1"> <tr> <td></td><td>U</td><td>n</td><td>k</td><td>n</td><td>o</td><td>w</td><td>n</td><td>→</td><td></td><td></td><td></td><td></td> </tr> </table>		U	n	k	n	o	w	n	→																	
	U	n	k	n	o	w	n	→																			

DEBUG MODE-6 HDMI DEBUG MODE-2/4

Display of Output Resolution ----> The second line

For a video processor	Via VSP Display the "→" in column 4	1 0 8 0 i / 6 0
	VSP skip	1 0 8 0 i / 6 0
DVI input signal	i / p will be capitalized.	4 8 0 I / 6 0
		4 8 0 P / 6 0
VGA input signal	Display the "*" in column 5	* 4 8 0 p / 6 0
RSEN is OFF	Display the "*" in column 14	4 8 0 p / 6 0 *
EDID_READ is NG	Display the "#" in column 14	4 8 0 p / 6 0 #
Resolution Error	Display the "x" in column 14	4 8 0 p / 6 0 x
No output (Signal output destination can not be found.)		- - - - -
Hot-plug of Sink equipment can not be detected.		O F F

4K Upscaling

Display of Input resolution 1 0 8 0 i / 6 0 →

Display of Output resolution * * * * x * * * * p / * *

* * * If the three-digit numbers are refrate

List of resolution

3 8 4 0 x 2 1 6 0 p / 3 0
3 8 4 0 x 2 1 6 0 p / 2 5
3 8 4 0 x 2 1 6 0 p / 2 4
4 0 9 6 x 2 1 6 0 p / 2 4

Resolution Error 3 8 4 0 x 2 1 6 0 p / 3 0 x

EDID_READ_NG 3 8 4 0 x 2 1 6 0 p / 3 0 #

3D Display

1 0 8 0 p / 2 4 (3 D) The first line : Resolution display

H D M I 4 4 4 # 3 6 b i t The second line : Status Display

RSEN OFF	Display the "*" in column 14	1 0 8 0 p / 2 4 (3 D) *
EDID READ NG	Display the "#" in column 9	H D M I 4 4 4 # 3 6 b i t
Resolution Error	Display the "x" in column 13	1 0 8 0 p / 2 4 (3 D) x

DEBUG MODE-7

HDMI DEBUG MODE-3/4

Status		
Input Mode	HDMI input	1 0 8 0 p / 2 4 (3 D) H D M I 4 4 4 3 6 b i t
	DVI Input	1 0 8 0 p / 2 4 (3 D) D V I 4 4 4 3 6 b i t
	No Input	1 0 8 0 p / 2 4 (3 D) - - - 4 4 4 3 6 b i t
Input Color	RGB	1 0 8 0 p / 2 4 (3 D) H D M I R G B 3 6 b i t
	422	1 0 8 0 p / 2 4 (3 D) H D M I 4 2 2 3 6 b i t
	444	1 0 8 0 p / 2 4 (3 D) H D M I 4 4 4 3 6 b i t
Deep Color	24bit	1 0 8 0 p / 2 4 (3 D) H D M I R G B 2 6 b i t
	30bit	1 0 8 0 p / 2 4 (3 D) H D M I R G B 3 0 b i t
	36bit	1 0 8 0 p / 2 4 (3 D) H D M I R G B 3 6 b i t

3D format		
Frame Packing		F r a m e P a c k i n g
Field alternative		F i e l d a l t e r n a t i v e
Line alternative		L i n e a l t e r n a t i v e
Side-by-Side(Full)		S i d e - b y - S i z e (F u l l)
L+depth		L + d e p t h
L+depth + graphics		L + d e p t h + g r a p h i c s
Side by Side(Harf)		S i d e - b y - S i z e (H a r f)
Top and Bottom		T o p - a n d - B o t t o m
unknown		U N K N O W N
INPUT/OUTPUT		I N P U T : * * O U T P U T : * *

DEBUG MODE-8

HDMI DEBUG MODE-4/4

PC Resolution

1	0	2	4	x	7	6	8	p	/	6	0	→
1	0	2	4	x	7	6	8	p	/	6	0	

The first line : Input resolution
The second line :Output resolution

Display of Input resolution		Horizontal resolution	Vertical resolution	Referat
		* * * * x	* * * * p	/ * * →
		1 0 2 4 x	7 6 8 p	/ 6 0 →
DVI input	Display uppercase P/i	1 0 2 4 x	7 6 8 P	/ 6 0 →
		1 0 2 4 x	7 6 8 p	/ 6 0
HDMI input	Display lowercase p/i	1 0 2 4 x	7 6 8 p	/ 6 0 →
		1 0 2 4 x	7 6 8 p	/ 6 0
Three-digit numbers are Referat		1 0 2 4 x	7 6 8 P	1 2 0 →
		1 0 2 4 x	7 6 8 p	/ 6 0
No input		U N K N O W N		
		1 0 2 4 x	7 6 8 p	/ 6 0
Display of Output resolution		Horizontal resolution	Vertical resolution	Referat
		1 0 2 4 x	7 6 8 p	/ 6 0 →
		* * * * x	* * * * p	/ * * →
DVI output	Display uppercase P/i	1 0 2 4 x	7 6 8 p	/ 6 0 →
		1 0 2 4 x	7 6 8 P	/ 6 0
HDMI output	Display lowercase p/i	1 0 2 4 x	7 6 8 p	/ 6 0 →
		1 0 2 4 x	7 6 8 p	/ 6 0
Display "-----"		1 0 2 4 x	7 6 8 p	/ 6 0 →
			- - - - -	
Three-digit numbers are Referat		1 0 2 4 x	7 6 8 p	/ 6 0 →
		1 0 2 4 x	7 6 8 P	1 2 0
EDID READ NG	Display the " # " in column 13	1 0 2 4 x	7 6 8 p	/ 6 0 →
		1 0 2 4 x	7 6 8 P	/ 6 0 #
Resolution through	Display the " x " in column 13	1 0 2 4 x	7 6 8 p	/ 6 0 →
		1 0 2 4 x	7 6 8 P	/ 6 0 x
INPUT/ OUTPUT		I N	:	*
		O U T	:	*

DEBUG MODE-9

SERVICE INFORMATION MODE

Displaying Service information

This service information display system is helpful in analyze the status when the unit goes into Protect mode and is powered off. Pay attention that the status will change if a button is pushed.

1. Press **twice** the **ON/ STANDBY** key while pressing the **DISPLAY** key.

e.g. 1.01/13515AE8 — The version of main microprocessor is displayed only for 3 seconds.

2. Press **HOME** button within 3 seconds above.

e.g. - 80 °F 27 DD — Information Displayed (Record this Information)

Power off Cause Temperature Volume Level Listening Mode
 T : Thermal Protect : xx F or xx C ---> Refer to the code list below.
 V : Voltage Protect
 I : Current Protect
 - : Other

Listening Mode Code List

01	C_LM_LAST
02	C_LM_PURE
03	C_LM_DIRECT
04	C_LM_STEREO
05	C_LM_MONO
20	C_LM_SURR
50	C_LM_THX_MUSIC
70	C_LM_THX_GAME
90	C_LM_THX_CINEMA
A0	C_LM_THX_U2GAME
A8	C_LM_THX_U2MUSIC
B0	C_LM_THX_U2CINEMA

D0	C_LM_AUDYSSEY
48	C_LM_DTSSS
06	C_LM_ORCHESTRA
07	C_LM_UNPLUGGED
08	C_LM_STUDIOMIX
09	C_LM_TVLOGIC
0A	C_LM_ALLCHST
0B	C_LM_FULLMONO
0C	C_LM_TD
F1	C_LM_TESTTONE
F2	C_LM_TESTTHR
F3	C_LM_TESTAUTO

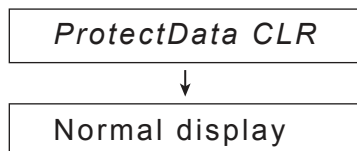
F4	C_LM_ASC
F5	C_LM_FLASH
F6	C_LM_DEBUGMODE
F7	C_LM_FLASH2
F8	C_LM_FLASH3
F9	C_LM_FLASH4
FA	C_LM_FLASH_CHECK
0D	C_LM_RPG
0E	C_LM_ACTION
0F	C_LM_ROCKBAND
10	C_LM_SPORTS

3. Press **HOME** button again. The following information are displayed.

e.g. 01:23 10h — Information Displayed (Record this Information)

Time after Power on Time after Initialize
 xx : xx xx hour

4. Press **ON/STANDBY** button to exit the display of service information.
 (Ref.: Press **RETURN** button to initialize the data in the service information.)



OPERATION CHECK-1

1.VERSION CONFIRMATION

1. During the POWER ON, please push ON/STANDBY button two times while pushing down DISPLAY button.
2. The version of main micom is displayed at FL tube.
3. While the version of main micom is displaying, please push (TONE) + button.
4. FL tube displays by rotation as follows.
Main micom→1'st DSP→2'nd DSP→Video micom→Video processor→OSD

2.CONFIRMATIONS OF OPERATIONS

2-1. OPERATIONS OF SPEAKER RELAYS

The relay shall be ON about 10 seconds after POWER is ON and shall be OFF immediately after POWER is OFF.

2-2. OPERATIONS OF VOLTAGE-DETECTION PROTECTORS.

See OPERATION CHECK-7 for TEST MODE operation.(Except DHC-60.5)
(How to check in test mode)

- a. Change the state to "TEST 4-24".
- b. It tests by being automatic in order of TEST 4-24(FL+) → 25(FR-) → 26(C+) → 27(SL-) → 28(SR+) → 29(SBL-) → 30(SBR+) → 31(FHL-) → 32(FHR+). If TEST 4-32 is ok, it becomes the display of "TEST 4-42."
- c. It will complete, if displayed on FL TUBE as "TEST 4-42."

NOTE : Don't connect load nor short speaker terminals.

2-3. OPERATIONS OF CURRENT-DETECTION PROTECTORS (Except DHC-60.5)

(How to check in test mode)

- a. Change the state to "TEST 4-42".
Even if you connect 3-ohm load for every channel of L, R, C, SL, SR, SBL and SBRch, a relay should not cut off.
- b. If 1-ohm load is connected for every channel of L, R, C, SL, SR,SBL and SBRch, a relay should hold the state of ON.

2-4 CONFIRMATION OF REMOTE CONTROL OPERATION

- a. Confirm that the specified operations for each button are made.
- b. Connect a cassette deck etc. with the unit, and confirm it's operations.

OPERATION CHECK-2

2.CONFIRMATIONS OF OPERATIONS

2-5. CONFIRMATION OF IR OPERATIONS

- a. Connect the designated circuit(XANTECH) to IR IN and confirm operations of the unit. (only TX-NR929 except MJJ)
- b. Connect the designated circuit(XANTECH) to IR IN A and confirm operations of the unit. (only DTR-60.5/DHC-60.5)
- c. Connect the designated circuit(XANTECH) to IR IN B and confirm operations of the unit. (only DTR-60.5/DHC-60.5)
- d. Connect the designated circuit(XANTECH) to OUT and confirm operations of the unit.
(only TX-NR929 except MJJ,DTR-60.5/DHC-60.5)

2-6. CONFIRMATION OF RDS (RADIO DATA SYSTEM) OPERATION

(applies to (MMA/MMB/MMP/MMR Type.)

- a. Input 98MHz,30dB μ signal modulated with RDS data.
- b. When a PS information is received, the name of the station "RDS TEST" shall be displayed within 2 seconds instead of the frequency.

2-7. CONFIRMATION OF HEAD PHONE OPERATION.

Confirm the Listening Mode is automatically switched to "STEREO" mode when headphones plug is inserted into the PHONES jack.

2-8. CONFIRMATION OF 12V TRIGGER OPERATIONS .

- a. After checking that there is no output from 12V TRIGGER ZONE2(Integra model is TRIGGER A) terminal, confirm that there is an output of 12V \pm 10%/150mA immediately switched the "TEST2-11". (except TX-NR929MJJ)
- b. After checking that there is no output from 12V TRIGGER ZONE3 (Integra model is TRIGGER B) terminal, confirm that there is an output of 12V \pm 10%/ 25mA after 2 seconds switched the "TEST2-12".
(except TX-NR929MJJ)
- d. After checking that there is no output from 12V TRIGGER C terminal, confirm that there is an output of 12V \pm 10%/ 25mA after 2 seconds switched the "TEST2-13". (only DTR-60.5/DHC-60.5)

2-9. CONFIRMATION OF OUTPUT VOLTAGE SENSOR AND THERMAL PROTECTOPERATION.(Except DHC-60.5)

- a. Set the TEST MODE to "TEST 4-43". Confirm to lit "FM STEREO" on FL displaythe .
Confirm the relays RL6901/6902 is OFF immediately .
- b. Push STANDBY/ON button two times while pushing down DISPLAY button to display CPU PROGRAM version.
Push TONE button while displaying CPU PROGRAM version to display value of temparature sensor.
Regarding to "AT" and "DT" of display value, confirm outside temperature \pm 20C is displayed immediately after energizing.
Note that the error margin is caused by the rise of the temperature of the heat sink when time passes.

No singal condition (Ex. Display)

V:>00 F:x S:H
AT:020 DT:020

V: Output signal level
F: FAN condition
S: Amplifier power supply voltage condition
AT: Temperature sensor of Amplifier
DT: Temperatur sensor of HDMI PWB

OPERATION CHECK-3

2.CONFIRMATIONS OF OPERATIONS

2-10. CONFIRMATION OF HDMI MAIN OUTPUT OSD(ON SCREEN DISPLAY) OPERATION

- Confirm that display SET-UP MENU for push SET UP buttons.
- Confirm that specified operations for ENTER(with 4-cursor) buttons are made.
- Confirm whether the screen displayed at the POWER ON is correct. Refer to OPERATION CHECK-12.

2-11. MISCELLANEOUS

- Confirm SELECTOR MUTING operation.
- Check the action of Left, Right, Center, L-Sur., R-Sur., Subwoofer, Sur.Back-L,Sur.Back-R, Front High-L, Front High-R, Level Up/Down.
- Confirm analog, digital and video REC SELECTOR operation.
- Confirm Video output signal as shown Table 2., while Video signal are input as shown Table 1. *refer to table1,2 of OPERATION CHECK-10.
- Confirm HD-AUDIO test by OAE QC sampling inspection.
- Confirm the video signal from BD/DVD Composite in is output to HDMI monitor out at the initial setting.
Then, input video signal to Component IN1, confirm change to Component IN1 signal from composite video signal.
- Confirm the firmware combination check.
 - Push STANDBY/ON button while pushing down TV/CD button to display "TEST-__".
 - Next, if Enter keys are pushed, FL display "F/W Set OK" or "F/W Set NG" after it becomes a F/W COMBINATION TEST MODE.

2-12. CONFIRMATION OF COOLING FAN OPERATION *Only TX-NR929,DTR-60.5

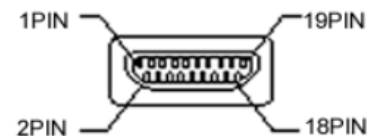
- When no input signal, confirm to fan no rotate.
- When TEST4-43, confirm to fan slow speed rotate.
- When TEST4-46, confirm to fan fast speed rotate.

2-13. CONFIRMATION OF HDMI AUDIO OPERATION. *OPERATION CHECK-10. of Video & HDMI Test mode.

- The sound of HDMI are confirm in the following disk.
DVD:TEAC DVD TEST Disk MDVD-111 T2-C1
DVD:ABX DVD TEST Disk TDV-540 T2-C1
SACD:PHILIPS SUPER AUDIO CD (Channel Configuration Test Disc) Ver 1.2 / May 2001
Blu-ray:ALMEDIO ABD-500
- Confirm the HDMI Video output by the Component video input.
- (CONFIRMATION OF HDMI I2S SIGNAL.)
 - Input the signals below from HDMI1 terminal.
ABD-500 NO.12 (LPCM7.1ch)
 - Change the state to TEST 6-00. Confirm the signal is output from L/R,SW/C,SL/SR,SBL/SBR.
- (CONFIRMATION OF HDMI SPDIF SIGNAL.)
 - SPDIF signal is input from HDMI3 terminal.
 - When TEST 6-06, confirm the sound(HDMI IN3)outputs from the speaker(except DHC-60.5)/ from preout(only DHC-60.5).
 - When TEST 6-07, confirm the sound(DVD analog input) outputs from the TV of Main HDMI OUT and Sub HDMI OUT.
- (CONFIRMATION OF HDMI DSD SIGNAL.)
 - When TEST 6-04, confirm the sound of DSD 5.1ch input HDMI IN 2, output from the speaker(except DHC-60.5)/ from preout(only DHC-60.5).
- (CONFIRMATION OF HDMI ARC SIGNAL.)
 - Hook up ARC-jig to HDMI Output on AVR, and input SPDIF (less than or equal to fs: 96kHz) signal to ARC-jig.
- When TEST 6-09, confirm the sound outputs from the speaker. *Only DHC-60.5 from BALANCE OUT
Note 1) During ARC testing, do not connect to the other HDMI inputs.

2-14. CONFIRMATION OF MHL

- After set the "TEST 6-10", connect the MHL JIG. Confirm that "OK" of FL display lights.
- After set to the "TEST 6-11", confirm that LED of MHL JIG does not shine.
- After set to the "TEST 6-12", confirm that LED of MHL JIG shines.
And confirm that P1 connector voltage of MHL JIG is within the limits of 2.35V to 2.61V.
- Confirm real MHL check by QC sampling inspection.



Noets
Use HDMI cable that is not connected shielded case to 2PIN.

OPERATION CHECK-4

2.CONFIRMATIONS OF OPERATIONS

2-15. CONFIRMATION OF CEC OPERATION.

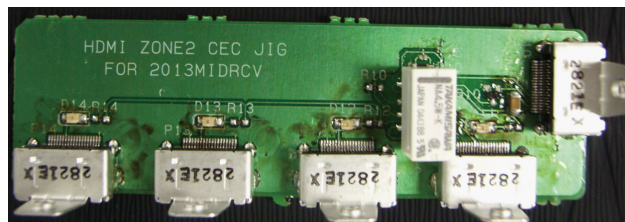
- a. When TX-SR805 is used as CEC JIG.
 - 1.When TX-SR805 is used as CEC JIG, this TX-SR805 JIG is set as follows.
 - 2.After SETUP button is pushed, select next menu "Hardware Setup", "HDMI", "Control", "Enable".
 3. HDMI Output(Main) of the set for inspection is connected with HDMI Input of the set for TX-SR805 JIG.
 4. When the set for inspection is Power on, then change the state to "TEST 6-00".
 - 5.FL is displayed "OK" or "NG".
- b. When Panasonic TV (TH-20LX70) is used as CEC JIG.
 - 1.HDMIOutput(Main) of the inspection is connected with Panasonic TV(TH-20LX70).
 2. When the set for inspection is Power on, then change the state to "TEST 6-00".
 - 3.FL is displayed "OK" or "NG".

2-16. CONFIRMATION OF NETWORK

1. PC and the set are connected through the router.
- 2.When set to TEST 3-18 confirm that the display of AVR change IP adress.
*Please wait for about 20 seconds after turning on the power supply of the set when you use from TEST 3-18.
- 3.Change the state to "TEST 3-09"(Front) ".
- 4.When Connect USB storage to AVR USB front port , confirm this USB storage is shown on FL display and HDMI main out of AVR .
- 5.Confirm the audio signal is output, when TEST MODE is set from TEST 3-11 to TEST 3-17.
(Confirm at Zone2 Preout/Line out terminal.)

2-17. CONFIRMATION OF Zone2 HDMI SIGNAL. *CONNECT HDBaseT RX box to AVR(DTR-60.5(exceptMJJ),DHC-60.5)

1. When TEST 5-14, confirm the sound outputs of HDMI IN4 input from the Powered Zone2 speakers(except DHC-60.5).
When TEST 5-14, confirm the sound outputs of HDMI IN4 input from Zone2 PRE/LINE OUT(only DHC-60.5).
And confirm the HDMI video and audio output of HDMI IN4 input from the TV connected OUT Zone2 HDMI terminal.
2. WAfter set to the "TEST 6-13", confirm that LED of HDMI Zone2 CEC JIG does not shine.JIG use is carried out and it inspects.
- 3.After set to the "TEST 6-12", confirm that LED of HDMI Zone2 CEC JIG shines. JIG use is carried out and it inspects.
- 4.When 6-15, The check of Zone2 HDMI CEC of operation. FL is displayed "OK" or "NG".JIG use is carried out and it inspects.



HDMI IN1 HDMI IN2 HDMI IN3 HDMI Front

HDMI
Main OUT

- a. When TX-SR805 is used as CEC JIG.
 - 1.When TX-SR805 is used as CEC JIG, this TX-SR805 JIG is set as follows.
 - 2.After SETUP button is pushed, select next menu "Hardware Setup", "HDMI", "Control", "Enable".
 3. HDMI Output(Main) of the set for inspection is connected with HDMI Input of the set for TX-SR805 JIG.
 4. When the set for inspection is Power on, then change the state to "TEST 6-15".
 - 5.FL is displayed "OK" or "NG".
- b. When Panasonic TV (TH-20LX70) is used as CEC JIG.
 - 1.HDMIOutput(Main) of the inspection is connected with Panasonic TV(TH-20LX70).
 2. When the set for inspection is Power on, then change the state to "TEST 6-15".
 - 3.FL is displayed "OK" or "NG".

OPERATION CHECK-5

2.CONFIRMATIONS OF OPERATIONS

2-18. CONFIRMATION OF ETHER CONTROL./RS-232C

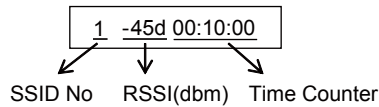
1. PC and the RS-232C terminal are connected.
2. Confirm the RS-232C operation by using the E-Control Check Tool

2-19. CONFIRMATION OF I/O OPERATION.

- a. Confirm all input and output terminals operate normally.
- b. Confirm the output by using a specified JIG or special player for DSD .
- c. When use TEST MODE for DSD , "TEST 6-04" is confirmed to be output from FL,FR,C,SW,SL,SR and not to be output SBL,SBR.

2-20. CONFIRMATION OF Wi-Fi CONNECTION

1. After setting wifi routers, change the state to "IDLING TIMER MODE".
2. It connects an access point automatically. Wi-Fi LED flashes during connection.
3. When connection is completed and IP address is able to be acquired, Wi-Fi LED lights up and the value of RSSI to an access point is displayed per dbm.
If the connection failed, NG is displayed.



If the connection failed, exit the idle mode by pressing the TV/CD button and please try again from [a].

*When check DHC-60.5,it is also same as TX-NR929,DTR-60.5.

Please be as NG if FL display doesn't even after 4 minutes in idling mode.

2-21. CONFIRMATION OF HD BASE-T.(ONLY DTR-60.5 (EXCEPT MJJ /DHC-60.5)

1. AVR and the HD BASE-T RX BOX are connected with ETHERNET cable.
2. HD BASE-T RX BOX and TV are connected with HDMI cable.
3. Confirm the VIDEO FUNCTION CHECK of page10

You must use ethernet cable more than CAT5.

OPERATION CHECK-6

3.INITIAL SETTING FOR SHIPPING

a. Initialization of memories.

Press ON/STANDBY button while pressing down CBL/SAT button when the unit is POWER ON, then the FLT displays "CLEAR", and turn to STAND-BY. Remove power cord from power line.

b. (Please pull out the AC cord at the standby mode.)

4.TEST MODE

4-1 TEST MODE FOR FL DISPLAY

- Push ON/STANDBY key while pushing down TV/CD button button to display "TEST-".
- Then push DIMMER (or RT/PTY/TP) button and get the FL test mode.
- In the FL test mode, TONE - button is FL TEST UP and TONE + button is FL TEST DOWN.
- REC OUT and ZONE2 button's originally operation can't work when it is in FL test mode.
- The contents of the step are as follows.

- Lit all segment
- Lit upper 'EDCBA987654321', lower '23456789ABCDEF'.
- Lit a even number segment
- Lit an odd number segment
- The Destination is displayed.
Please see the below for detail.

To close the FL test, push ON/STANDBY button.

Display of Destination on TEST MODE.

N R 9 2 9	D	2 0 0 0
MODEL Name	Destination	A B C D

TX-NR929: NR929
DTR-60.5: DTR605
DHC-60.5: DHC605

Dx: USA
xx: OTHER
JJ: JAPAN

A: Value of AD port of BAND
B: Value of AD port of INIT1
C: Value of AD port of INIT2
D: Value of AD port of INIT3

MODEL Name	NR929			DTR605		
Destination	Dx	xx MA MB MP MR	JJ	Dx	xx MA MR	JJ
ABCD	2400	8400	4400	2460	8460	4460

MODEL Name	DHC605
Destination	Dx
ABCD	2480

NOTE : If VOL value is not 30 (-52dB) (initial setting), test mode cannot be set.

OPERATION CHECK-7

4.TEST MODE

4-2. TEST MODE FOR OPERATION

- a. Push STANDBY/ON button while pushing down TV/CD button to display "TEST-__".
- b. Next, if the following keys are pushed, it becomes a each TEST MODE.

TEST MODE									
1-00	2-00	3-00	4-00	5-00	6-00	KEY TEST	IDLING TIMER	FL TEST	FIRMWARE VERSION
BD/DVD	CBL/SAT	STB/DVR	GAME GAME1	TUNER	TV/CD	MEMORY (Re-EQ)	TUNING MODE (LATE NIGHT)	DIMMER (RT/PTY/TP)	TONE

TEST MODE					
FIRMWARE COMBINATION CHECK	CHECK SUM				
ENTER	When the MPU version is displayed, push "MEMORY(Re-EQ)"				

- c. In the test mode, (TONE)- button is TEST MODE DOWN and (TONE)+ button is TEST MODE UP.
- d. The unit receives the following remote control signals, the set will be the test mode or be changed the step No.

- D22F K113(D0) --- Got out of the test mode.
- D22F K114(D1) --- Got the"TEST 1-00".
- D22F K115(D2) --- Got the"TEST 2-00".
- D22F K116(D3) --- Got the"TEST 2-00".
- D22F K117(D4) --- Got the"TEST 4-00".
- D22F K112(CF) --- Got the"TEST 5-00".
- D22F K111(CE) --- Got the"TEST 6-00".
- D22F K118(D5) --- Made the 1st position of a figure of the step No. "1", and call the setting.
- D22F K119(D6) --- Made the 1st position of a figure of the step No. "2", and call the setting.
- D22F K120(D7) --- Made the 1st position of a figure of the step No. "3", and call the setting.
- D22F K121(D8) --- Made the 1st position of a figure of the step No. "4", and call the setting.
- D22F K122(D9) --- Made the 1st position of a figure of the step No. "5", and call the setting.
- D22F K123(DA) --- Made the 1st position of a figure of the step No. "6", and call the setting.
- D22F K124(DB) --- Made the 1st position of a figure of the step No. "7", and call the setting.
- D22F K125(DC) --- Made the 1st position of a figure of the step No. "8", and call the setting.
- D22F K126(DD) --- Made the 1st position of a figure of the step No. "9", and call the setting.
- D22F K127(DE) -- Made the 1st position of a figure of the step No. "0", and call the setting.
- D22F K128(DF) --- Made the 2st position of a figure of the step No. increment.

- e. "TEST 1-00" are used to check a protection circuit, and the relay recovered in one second.
- f. All test modes except for "TEST 3-00" are used to check an AF section.
- g. "TEST 3-00" is used to check an RF section, at this time the unit receives the following remote control signals, they change the operation from really doing and they can made the operation in tuner section.
 - D26DK26(19) --- TUNING UP
 - D26DK27(1A) --- TUNING DOWN
 - D26DK20(13) --- FM MUTE ON/OFF
- h. When the unit receives the following remote control signals, they can made the step No. up and down.
 - D26DK30(1D) --- STEP UP
 - D26DK31(1E) --- STEP DOWN

OPERATION CHECK-8

4. TEST MODE

j. Test mode is as follows.

TEST No	Analog Input /Rec Sel (Zone2/Zone3)	Ltn Mode/ Input Format	VIDEO Input (Zone2)	Component V	HDMI	12V Trigger	Digital Input /Output	Config.	Master Vol. /Zone2 Vol.	Speaker Relay	etc.
1-00	BD/Source	ADC DSP 11ch Thru.	BD/DVD	IN1	IN1	-	-	-	Max (+18dB)	F/C/S/SB/FH	*1 PROTECT
1-01	BD/Source	ADC DSP 11ch Thru.	BD/DVD	IN1	IN1	-	-	-	Min (-82dB)	F/C/S/SB/FH	
2-00	BD/Source	Stereo(Direct)	BD/DVD	IN1	IN1	-	-	-	Max (+18dB)	F	SW=NO
2-01	BD/Source	Stereo(Direct)	BD/DVD	IN1	IN1	-	-	-	82 (0dB)	F	SW=NO
2-02	BD/Source	Analog All Ch Stereo	BD/DVD	IN1	IN1	-	-	Y/L/L/L/L	82 (0dB)	F/C/S/SB/FH	7Hi-B
2-03	BD/Source	ADC DSP 12ch Thru.	BD/DVD	IN1	IN1	-	-	Y/L/L/L/L	82 (0dB)	F/C/S/FW	
2-04	BD/Source	ADC DSP 12ch Thru.	BD/DVD	IN1	IN1	-	-	Y/L/L/L/L	82 (0dB)	F/C/S/FH	
2-05	BD/Source	ADC DSP 12ch Thru.	BD/DVD	IN1	IN1	-	-	Y/L/L/L/L	Max (+18dB)	F/C/S/SB/FH	
2-06	BD/Source	ADC DSP 12ch Thru.	BD/DVD	IN1	IN1	-	-	Y/L/L/L/L	82 (0dB)	F/C/S/SB/FH	
2-07	BD/Source	ADC DSP 12ch Thru.	BD/DVD	IN1	IN1	-	-	Y/L/L/L/L	70 (-12dB)	F/C/S/SB/FW	SW=MUTE
2-08	BD/Source	ADC DSP 12ch Thru.	BD/DVD	IN1	IN1	-	-	Y/L/L/L/L	70 (-12dB)	F/C/S/SB/FH	SW=MUTE
2-09	BD/Source	ADC DSP 12ch Thru.	BD/DVD	IN1	IN1	-	-	Y/L/L/L/L	Min (-82dB)	F/C/S/SB/FH	
2-10	BD/Source	ADC DSP 12ch Thru.	BD/DVD	IN1	IN1	-	-	Y/L/L/L/L	82 (0dB)	C/S/SB	SPRLF OFF
2-11	CBL/Source	Automatic	CBL/SAT	IN2	IN2	Zone2/A	OPT1	Y/L/L/L/L	82 (0dB)	F/C/S/SB	
2-12	CBL/Source	Automatic	CBL/SAT	IN2	IN2	Zone3/B	COAX1	Y/L/L/L/L	82 (0dB)	F/C/S/SB	
2-13	STB/Source	DIR DSP 12ch Thru	STB/DVR	-	IN3	C	OPT1	Y/L/L/L/L	Max (+18dB)	F/C/S/SB/FH	
2-14	GAME/Source	DIR DSP 12ch Thru	GAME	-	IN4	-	OPT1	Y/L/L/L/L	82 (0dB)	F/C/S/SB/FH	
2-15	AUX/Source	DIR DSP 12ch Thru	AUX	-	-	-	COAX1	Y/L/L/L/L	Max (+18dB)	F/C/S/SB/FH	
2-16	PC/Source	DIR DSP 12ch Thru	Last	-	-	-	COAX1	Y/L/L/L/L	82 (0dB)	F/C/S/SB/FH	
2-17	TV/Source	Automatic	Last	-	-	-	OPT2	Y/L/L/L/L	82 (0dB)	F/C/S/SB	
2-18	TV/Source	DIR DSP 12ch Thru	Last	-	-	-	OPT2	Y/L/L/L/L	82 (0dB)	F/C/S/SB/FH	
2-19	AUX/Source	DIR DSP 12ch Thru	AUX	-	-	-	FRONT OPT	Y/L/L/L/L	82 (0dB)	F/C/S/SB/FH	
2-20	MIC	ADC DSP 12ch Thru.	BD/DVD	-	-	-	-	Y/L/L/L/L	82 (0dB)	F/C/S/SB/FH	
2-21	MIC	ADC DSP 12ch Thru.	BD/DVD	-	-	-	-	Y/L/L/L/L	82 (0dB)	F/C/S/SB/FH	MICMUTE ON
2-22	PHONO/Source	Direct	BD/DVD	-	-	-	-	-	Max (+18dB)	F	
2-23	PHONO/Source	Direct	BD/DVD	-	-	-	-	-	62 (-20dB)	F	
2-24	BD/Source	Bi AMP	BD/DVD	IN1	IN1	-	-	-	82 (0dB)	F/C/S/FH	Bi AMP
2-25	BD/Source(Source)	Whole House Mode	BD/DVD	IN1	-	-	-	-	82 (0dB)	F/C/S/SB/FH	Whole House Mode
2-26	BD/Source	ADC DSP 12ch Thru.	BD/DVD	IN1	-	-	-	Y/L/L/L/L	82 (0dB)	F/C/S/SB/FH	EXT AMP(SB)_
2-27	BD/BALANCE)	ADC DSP 8ch Thru.	BD/DVD	IN1	-	-	-	Y/L/L/L/L	82 (0dB)	F/C/S/SB	BALANCE
2-28	BD/Source	ADC DSP 12ch Thru.	BD/DVD	IN1	-	-	-	Y/L/L/L/L	82 (0dB)	F/C	Differential signal mode
2-29	BD/BALANCE)	ADC DSP 8ch Thru.	BD/DVD	IN1	-	-	-	Y/L/L/L/L	82 (0dB)	F/C/S/SB	BALANCE: MONO
3-00	FM/Source	Stereo(Direct)	Last	-	-	-	-	-	84 (+2dB)	F	
3-01	TV(BD/GAME)	Stereo(Direct)	Last(BD)	-	-	Z2/Z3	-	-	Max (+18)/Max(+18)	F/Z2/Z3	Z2/Z3 Powered
3-02	TV(BD/GAME)	Stereo(Direct)	Last(BD)	-	-	Z2/Z3	-	-	0dB/0dB	F/Z2/Z3	Z2/Z3 Powered
3-03	TV(BD/GAME)	Stereo(Direct)	Last(BD)	-	-	Z2/Z3	-	-	0dB/0dB	F/Z2/Z3	Z2/Z3 MUTE ON
3-04	TV(BD/GAME)	Stereo(Direct)	Last(BD)	-	-	Z2/Z3	-	-	0dB/0dB	F/Z2/Z3	Z2 BASS MAX
3-05	TV(BD/GAME)	Stereo(Direct)	Last(BD)	-	-	Z2/Z3	-	-	0dB/0dB	F/Z2/Z3	Z2 BASS MIN
3-06	TV(BD/GAME)	Stereo(Direct)	Last(BD)	-	-	Z2/Z3	-	-	0dB/0dB	F/Z2/Z3	Z2 TREBLE MAX
3-07	TV(BD/GAME)	Stereo(Direct)	Last(BD)	-	-	Z2/Z3	-	-	0dB/0dB	F/Z2/Z3	Z2 TREBLE MIN
3-08	TV(BD/GAME)	Stereo(Direct)	Last(BD)	-	-	Z2/Z3	-	-	Min/Min	F/Z2/Z3	Z2/Z3 Powered
3-09	USB(Front)/(Source)	Stereo(Direct)	Last	-	-	-	USB(Front)	-	-25dB/-25dB	F	
3-10	USB(Rear)/(Source)	Stereo(Direct)	Last	-	-	-	USB(Rear)	-	-25dB/-25dB	E	
3-11	USB(Front)/(Source)	Stereo(Direct)	Last	-	-	-	NET	-	-20dB/-20dB	F	Output Level / Distortion
3-12	USB(Front)/(Source)	Stereo(Direct)	Last	-	-	-	NET	-	0dB/0dB	F	SN Ratio
3-13	USB(Front)/(Source)	Stereo(Direct)	Last	-	-	-	NET	-	-20dB/-20dB	F	Freq. Resp.
3-14	USB(Front)/(Source)	Stereo(Direct)	Last	-	-	-	NET	-	-20dB/-20dB	F	Freq. Resp.
3-15	USB(Front)/(Source)	Stereo(Direct)	Last	-	-	-	NET	-	-20dB/-20dB	F	Separation
3-16	USB(Front)/(Source)	Stereo(Direct)	Last	-	-	-	NET	-	-20dB/-20dB	F	Separation
3-17	USB(Front)/(Source)	Stereo(Direct)	Last	-	-	-	NET	-	-20dB/-20dB	F	Output Level / Distortion
3-18	NET/(Source)	Stereo(Direct)	Last	-	-	-	NET	-	-20dB/-20dB	F	Net connection
3-19	NET/(Source)	Stereo(Direct)	Last	-	-	-	NET	-	-20dB/-20dB	F	Net connection
3-20	TV(BD/GAME)	Stereo(Direct)	Last(BD)	-	-	Z2/Z3	-	-	0dB/FIX	F/Z2/Z3	Z2/Z3 FIX

In all test modes, it is not concerned with detection of VOLH but SEC1H are made "H" fixation. (Except TEST 2-25,4-43.)

*1 All SP-RELAYS are turned ON only at the time of this STEP.

Moreover, whether make RELAY restoration time at the time of protection operation into 1 second, and PROTECT input "H" is detected how many times or it continues 1 second or more, RELAY is not held at OFF or POWER OFF is not carried out, either.

When "H" is 1 seconds or more to PROTECT input and it is set to "L", RELAY is turned ON again.

Moreover, not any MUTE is outputted at the time of this STEP.

*2 Use USB memory which stored only following signals.

In addition,measure using application.

1.44.1kHz_16bit_1kHz_0dBfs_L&R.wav	Reference
2.44.1kHz_16bit_∞dBfs_L&R.wav	SN ratio
3.44.1kHz_16bit_20Hz_0dBfs_L&R.wav	Freq. resp.
4.44.1kHz_16bit_20kHz_0dBfs_L&R.wav	Freq. resp.
5.44.1kHz_16bit_1kHz_0dBfs_Lch.wav	Separation
6.44.1kHz_16bit_1kHz_0dBfs_Rch.wav	Separation
7.48kHz_16bit_1kHz_0dBfs_L&R.wav	Operation check

OPERATION CHECK-9

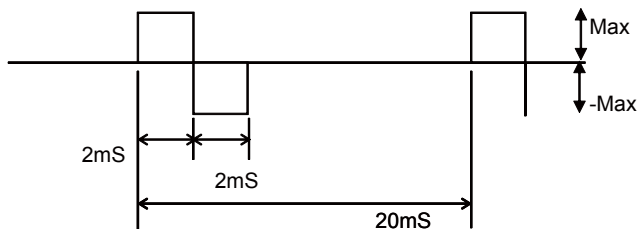
4.TEST MODE

Auto Measurement Mode

TEST No.	DSP Output ch	DSP Output Frequency	DSP Output Voltage	Config.	Master Vol.	Speaker Relay	etc.
4-00	ALL	1kHz	-20dBFS	Y/L/L/L/L	82 (0dB)	F/C/S/SB/FH	DSP Gain
4-01	ALL	30Hz	-20dBFS	Y/L/L/L/L	82 (0dB)	F/C/S/SB/FH	DSP Freq.Response
4-02	ALL	20kHz	-20dBFS	Y/L/L/L/L	82 (0dB)	F/C/S/SB/FH	DSP Freq.Response
4-03	FL,FR/SW	30Hz	-20dBFS	N/L/L/L/L	72(-10dB)	F/C/S/SB	DownMix(1) Characteristic(1)
4-04	F,C,SUR,SRB,High,RW,SW	10kHz	-20dBFS	Y/L/L/L/L	82 (0dB)	F/C/S/SB/FH	Mute:LW Separation
4-05	F,C,SUR,SRB,High,LW,SW	10kHz	-20dBFS	Y/L/L/L/L	82 (0dB)	F/C/S/SB/FH	Mute:RW Separation
4-06		10kHz	-20dBFS	Y/L/L/L/L	82 (0dB)	F/C/S/SB/FH	Mute:FL Separation
4-07	FL,C,SUR,SRB,High,Wide,SW	10kHz	-20dBFS	Y/L/L/L/L	82 (0dB)	F/C/S/SB/FH	Mute:FR Separation
4-08	F,SUR,SRB,High,Wide,SW	10kHz	-20dBFS	Y/L/L/L/L	82 (0dB)	F/C/S/SB/FH	Mute:C Separation
4-09	F,C,SR,SBR,High,Wide,SW	10kHz	-20dBFS	Y/L/L/L/L	82 (0dB)	F/C/S/SB/FH	Mute:SL Separation
4-10	F,C,SL,SBR,High,Wide,SW	10kHz	-20dBFS	Y/L/L/L/L	82 (0dB)	F/C/S/SB/FH	Mute:SR Separation
4-11	F,C,SUR,SBRR,High,Wide,SW	10kHz	-20dBFS	Y/L/L/L/L	82 (0dB)	F/C/S/SB/FH	Mute:SBL Separation
4-12	F,C,SUR,SBRL,High,Wide,SW	10kHz	-20dBFS	Y/L/L/L/L	82 (0dB)	F/C/S/SB/FH	Mute:SBR Separation
4-13	F,C,SUR,SBR,HR,Wide,SW	10kHz	-20dBFS	Y/L/L/L/L	82 (0dB)	F/C/S/SB/FH	Mute:LH Separation
4-14	F,C,SUR,SBR,HL,Wide,SW	10kHz	-20dBFS	Y/L/L/L/L	82 (0dB)	F/C/S/SB/FH	Mute:RH Separation
4-15	F,C,SUR,SRB,High,Wide	30Hz	-20dBFS	Y/L/L/L/L	82 (0dB)	F/C/S/SB/FH	Mute:SW Separation
4-16	ALL	1kHz	-20dBFS	Y/L/L/L/L	82 (0dB)	F/C/S/SB/FH	*mute on Muting
4-17	ALL	30Hz	-20dBFS	Y/L/L/L/L	82 (0dB)	F/C/S/SB/FH	*mute on Muting
4-18	ALL	1kHz	-20dBFS	Y/L/L/L/L	Min.(-∞dB)	F/C/S/SB/FH	Volume Max.Attenuation
4-19	ALL	30Hz	-20dBFS	Y/L/L/L/L	Min.(-∞dB)	F/C/S/SB/FH	Volume Max.Attenuation
4-20	ALL	20Hz	-20dBFS	Y/L/L/L/L	82 (0dB)	F/C/S/SB/FH	BASS ALL:+10 BASS Max.
4-21	ALL	20kHz	-20dBFS	Y/L/L/L/L	82 (0dB)	F/C/S/SB/FH	TREBLE ALL+10 TREBLE Max.
4-22	ALL	20Hz	-20dBFS	Y/L/L/L/L	82 (0dB)	F/C/S/SB/FH	BASS ALL:-10 BASS Min.
4-23	ALL	20kHz	-20dBFS	Y/L/L/L/L	82 (0dB)	F/C/S/SB/FH	TREBLE ALL-10 TREBLE Min.
4-24	FL	+DC	+Max	Y/L/L/L/L	Max	F/C/S/SB/FH	*1,*2 +DC Protect
4-25	FR	-DC	-Max	Y/L/L/L/L	Max	F/C/S/SB/FH	*1,*2 -DC Protect
4-26	C	+DC	+Max	Y/L/L/L/L	Max	F/C/S/SB/FH	*1,*2 +DC Protect
4-27	SL	-DC	-Max	Y/L/L/L/L	Max	F/C/S/SB/FH	*1,*2 -DC Protect
4-28	SR	+DC	+Max	Y/L/L/L/L	Max	F/C/S/SB/FH	*1,*2 +DC Protect
4-29	SBL	-DC	-Max	Y/L/L/L/L	Max	F/C/S/SB/FH	*1,*2 -DC Protect
4-30	SBR	+DC	+Max	Y/L/L/L/L	Max	F/C/S/SB/FH	*1,*2 +DC Protect
4-31	FHL	-DC	-Max	Y/L/L/L/L	Max	F/C/S/SB/FH	*1,*2 -DC Protect
4-32	FHR	+DC	+Max	Y/L/L/L/L	Max	F/C/S/SB/FH	*1,*2 +DC Protect
4-33	FL	-DC	-Max	Y/L/L/L/L	Max	F/C/S/SB/FH	*1,*2 -DC Protect
4-34	FR	+DC	+Max	Y/L/L/L/L	Max	F/C/S/SB/FH	*1,*2 +DC Protect
4-35	C	-DC	-Max	Y/L/L/L/L	Max	F/C/S/SB/FH	*1,*2 -DC Protect
4-36	SL	+DC	+Max	Y/L/L/L/L	Max	F/C/S/SB/FH	*1,*2 +DC Protect
4-37	SR	-DC	-Max	Y/L/L/L/L	Max	F/C/S/SB/FH	*1,*2 -DC Protect
4-38	SBL	+DC	+Max	Y/L/L/L/L	Max	F/C/S/SB/FH	*1,*2 +DC Protect
4-39	SBR	-DC	-Max	Y/L/L/L/L	Max	F/C/S/SB/FH	*1,*2 -DC Protect
4-40	FHL	+DC	+Max	Y/L/L/L/L	Max	F/C/S/SB/FH	*1,*2 +DC Protect
4-41	FHR	-DC	-Max	Y/L/L/L/L	Max	F/C/S/SB/FH	*1,*2 -DC Protect
4-42	ALL	Pulse	Max	Y/L/L/L/L	78(-4dB)	F/C/S/SB/FH	*1,*3 Current Protect
4-43	ALL	1kHz	0dBFS	Y/L/L/L/L	75(-7dB)	F/C/S/SB/FH	*6,*4 VOLH DETECT,SEC1H="L"
4-46	ALL	1kHz	0dBFS	Y/L/L/L/L	Min.(-∞dB)	F/C/S/SB	*5 FAN TEST

*2 When TEST No. 4-24~4-41 is setted, DC vottage is putted out immediately at each channel. (within 100msec.)

*3 The following signal is putted out at all channel continuously in TEST4-42



*4 The cooling fan rotate slow speed.

*5 The cooling fan rotate fast speed. Only TX-NR929,DTR-60.5.

*6 VOLH is detected and H/L of SEC1H is changed.
A detection level is the same as the normal mode.

OPERATION CHECK-10

4.TEST MODE

VIDEO FUNCTION CHECK

VIDEO TEST MODE

	Input selector	Zone 2 selector	COMPO-NENT	HDMI	D4 (Note 3)	MODE	Model	REMARKS
						INPUT/OUTPUT		
5-00	BD/DVD	Source	IN1	IN1	-	HDMI IN?HDMI OUT (Through)	ALL	Audio TV OUT = ON
5-01	CBL/SAT	Source	IN2	IN2	-	HDMI IN?HDMI OUT (Through)	ALL	Audio TV OUT = ON
5-02	STB/DVR	Source	-	IN3	IN1	HDMI IN?HDMI OUT (Through)	ALL	Audio TV OUT = ON
5-03	GAME or GAME1	Source	-	IN4	IN2	HDMI IN?HDMI OUT (Through)	ALL	Audio TV OUT = ON
5-04	PC	Source	-	IN5	-	HDMI IN?HDMI OUT = Both	ALL	Audio TV OUT = ON
5-05	TV/CD	Source	-	IN6	-	HDMI IN?HDMI OUT (Through)	ALL	Audio TV OUT = ON
5-06	PHONO	Source	-	IN7	-	HDMI IN?HDMI OUT (Through)	ALL	Audio TV OUT = ON
5-07	GAME2	Source	IN1	IN8	-	HDMI IN?HDMI OUT (Through)	ALL	Audio TV OUT = ON
5-08	AUX	Source	-	FRONT IN	-	HDMI IN?HDMI OUT (Through)	ALL	Audio TV OUT = ON
5-09	BD/DVD	Source	IN1	IN1	-	HDMI IN?HDMI OUT HQV Processed		Audio TV OUT = ON
5-10	BD/DVD	Source	IN1	-	-	COMPONENT?HDMI	ALL	
5-11	BD/DVD	Source	IN1	-	-	CV?HDMI	ALL	
5-12	USB	Source	=	=	=	CV?COMPONENT, CV HDMI OUT=No		
5-13	PC(RGB)	Source	-	-	-	RGB INPUT?HDMI OUT	ALL	
5-14	GAME2/GAME1	HDMI	-	IN5/IN4	-	Z2 HDMI TEST / HDMI Powered Z2	ALL	Z2 HDMI Audio / Video check

HDMI TEST MODE

	Input selector	DIGITAL INPUT	COMPO-NENT	HDMI	D4 (Note 3)	MODE	etc
6-00	BD/DVD	HDMI	IN1	IN1	-	HDMI I2S SIGNAL	OUTPUT CH=L/R/C/SW/SL/SR
6-01	BD/DVD	HDMI	IN1	IN1	=	HDMI I2S SIGNAL	OUTPUT CH = SW/C
6-02	BD/DVD	HDMI	IN1	IN1	=	HDMI I2S SIGNAL	OUTPUT CH = SL/SR
6-03	BD/DVD	HDMI	IN1	IN1	=	HDMI I2S SIGNAL	OUTPUT CH = SBL/SBR
6-04	BD/DVD	HDMI	IN1	IN2	-	HDMI DSD SIGNAL	OUTPUT CH = L/R/SW/C/SL/SR
6-05	BD/DVD	HDMI	IN1	IN2	=	HDMI DSD SIGNAL	No Use
6-06	BD/DVD	HDMI	IN1	IN3	-	HDMI SPDIF SIGNAL	
6-07	BD/DVD	-	IN1	-	-	Audio TV OUT = ON, HDMI OUT = Both	INPUT = DVD Analog 2ch
6-08	BD/DVD	HDMI	IN1	IN1	=	Audio TV OUT = ON, VOL=0, I2S SIGNAL	No Use
6-09	TV/CD	HDMI ARC	IN1	-	-	HDMI AUDIO RETURN CHANNEL	
6-10	AUX	HDMI	-	AUX	-	MHL Check(WAKE UP/CABLE DET)	MHL CABLE DETECT
6-11	AUX	HDMI	-	AUX	-	MHL Check(Power supply=OFF,WakeUp=LOW)	
6-12	AUX	HDMI	-	AUX	-	MHL Check(Power supply=ON,WakeUp=High)	Measure the voltage of P1 connector
6-13	TV/CD/-	-	-	-	-	Zone2 HDMI CEC TEST/ALL Relay ON	CEC Relay check
6-14	TV/CD/-	-	-	-	-	Zone2 HDMI CEC TEST/ALL Relay OFF	CEC Relay check
6-15	TV/CD/-	-	-	-	-	Zone2 CEC TEST	

Confirm Video output signal as shown Table 2, while Video signal are input as shown Table 1.

Table 1

Input	Composite Video	Component	HDMI		D4 (Note 3)		RGB(D-SUB)
BD/DVD	A	IN1 F	IN1	H	---	---	---
CBL/SAT	B	IN2 G	IN2	I	---	---	---
STB/DVR	C	---	IN3	J	IN1	R	---
GAME or GAME1	D	---	IN4	K	IN2	S	---
PC	---	---	IN5	L	---	---	T
TV/CD	---	---	IN6	M	---	---	---
PHONO	---	---	IN7	N	---	---	---
GAME2	---	---	IN8	P	---	---	---
AUX / USB	E	---	Front	Q	---	---	---

Table 2

Test mode	Output	Composite Video	Component	HDMI	D4	MODE
	Zone2.out (Note 3)	Monitor out	OUT	OUT Main/Sub	OUT (Note 3)	
5-00	(BD/DVD)	A	A	F	H/---	*E HDMI Through
5-01	(CBL/SAT)	*B	B	G	I/---	*G HDMI Through
5-02	(STB/DVR)	*C	C	*R	J/---	R HDMI Through
5-03	(GAME or 1)	*D	D	*S	K/---	S HDMI Through
5-04	(PC)	---	---	---	L/L	HDMI Through,Out=Both
5-05	(TV/CD)	---	---	---	M/---	HDMI Through
5-06	(PHONO)	---	---	---	N/---	HDMI Through
5-07	(GAME2)	---	---	---	P/---	HDMI Through
5-08	(AUX)	*E	E	---	Q/---	HDMI Through
5-09	(BD/DVD)	*A	*A	*E	H/---	*E HDMI non Through
5-10	(BD/DVD)	*A	*A	*F	F/---	*E Component?HDMI
5-11	(BD/DVD)	*A	*A	*F	A/---	*E CV?HDMI
5-12	(USB)	*E	*E	E	---/---	E CV?CV,Component
5-13	(PC)	---	---	---	T/---	RGB INPUT

Note 1) Confirm the input and output which cannot be checked by this method at other processes (for example, FI).

Note 2) It is not necessary to confirm the item with "*" mark.

OPERATION CHECK-11

4.TEST MODE

OPERATIONS OF VIDEO SIGNAL-DETECTION

Set the TEST MODE to "TEST 5-00".

When the composite video signal is input, confirm that "FM STEREO" of FL TUBE lights.

And, When the component video signal is input, confirm that "RDS" of FL TUBE lights.

NOTES

- 1 DSP Thru of Lstn Mode outputs L Input signal to L/C/SL/SBL, and outputs R Input signal to R/SR/SBR/SW.
- 2 Config. is in order of SW/Front/Center/Surround/Surround Back
- 3 Mute is function to stop output(from the channel) by using inner DSP programming.
- 4 When Lstn Mode is DSP thru, an analog SW is changed into the state of SURROUND.
- 5 At the time of PRTCTTHM detection, it is displayed on FLT as "THERMAL PROTECT".
- 6 Following frequencies are automatically written in the preset memory, when the unit goes into test mode.

	PRESET No.	MDC MDD	MDF	MM*(10k)	MM*(9k)	MJJ
FM	1	89.9MHz	89.9MHz	89.90MHz	89.90MHz	76.0 MHz
	2	97.9MHz	97.9MHz	97.90MHz	97.90MHz	82.0 MHz
	3	98.9MHz	98.9MHz	98.90MHz	98.90MHz	83.0 MHz
	4	107.1MHz	107.1MHz	107.10MHz	107.10MHz	84.0 MHz
	5	107.9MHz	107.9MHz	107.90MHz	107.90MHz	90.0 MHz
	6	100.1MHz	100.1MHz	100.10MHz	100.10MHz	80.0 MHz
	7	88.1MHz	88.1MHz	88.10MHz	88.10MHz	85.1 MHz
	8	104.1MHz	104.1MHz	104.10MHz	104.10MHz	88.1 MHz
	9	95.3MHz	95.3MHz	95.30MHz	95.30MHz	76.0 MHz
	10	106.7MHz	106.7MHz	106.70MHz	106.70MHz	90.0 MHz
AM	11	530kHz	522kHz	530kHz	522kHz	522kHz
	12	630kHz	630kHz	630kHz	630kHz	630kHz
	13	990kHz	990kHz	990kHz	990kHz	990kHz
	14	1440kHz	1440kHz	1440kHz	1440kHz	1440kHz
	15	1710kHz	1611kHz	1710kHz	1611kHz	1611kHz
	16	670kHz	666kHz	670kHz	666kHz	666kHz
	17	830kHz	828kHz	830kHz	828kHz	828kHz
	18	1310kHz	1314kHz	1310kHz	1314kHz	1314kHz
	19	1200kHz	1197kHz	1200kHz	1197kHz	1197kHz
	20	530kHz	522kHz	530kHz	522kHz	522kHz
FM	21	87.5MHz	87.5MHz	87.50MHz	87.50MHz	76.0 MHz
	22	107.9MHz	107.9MHz	108.00MHz	108.00MHz	90.0 MHz
	23	103.7MHz	103.7MHz	104.00MHz	104.00MHz	79.8 MHz
	24	104.5MHz	104.5MHz	104.20MHz	104.20MHz	80.2 MHz
AM	25	1180kHz	1179kHz	1180kHz	1179kHz	1179kHz
	26	1220kHz	1215kHz	1220kHz	1215kHz	1215kHz

OPERATION CHECK-12

5. OTHERS

Confirmation of OSD at start-up

At the POWER ON, please confirm the following image is displayed on HDMI MAIN OUT.

ONKYO model (TX-NR929)



Integra model (DTR-60.5/DHC-60.5)



EXPLODED VIEWS-1 OVERALL

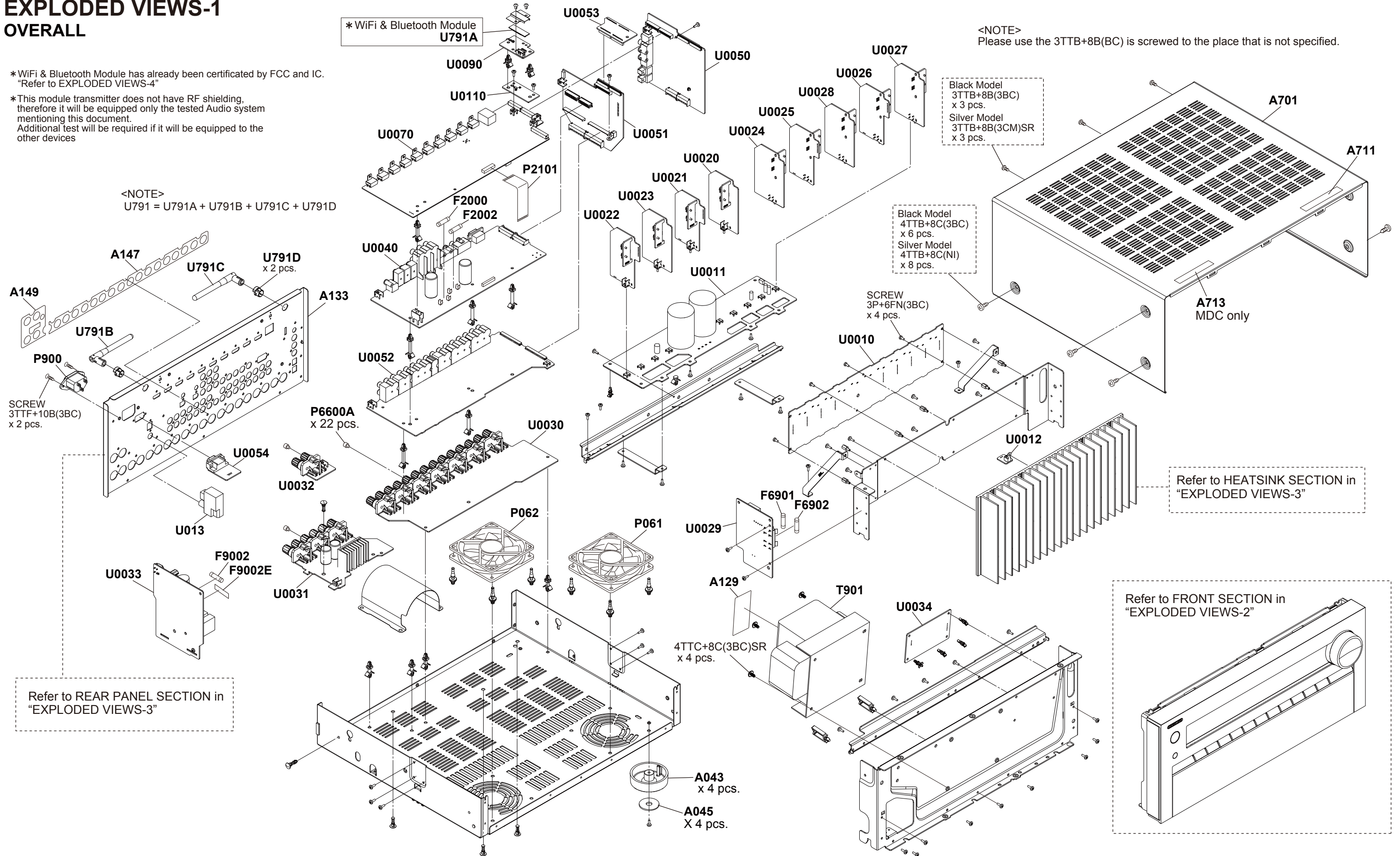
* WiFi & Bluetooth Module has already been certificated by FCC and IC.
"Refer to EXPLODED VIEWS-4"

* This module transmitter does not have RF shielding,
therefore it will be equipped only the tested Audio system
mentioning this document.
Additional test will be required if it will be equipped to the
other devices

<NOTE>
U791 = U791A + U791B + U791C + U791D

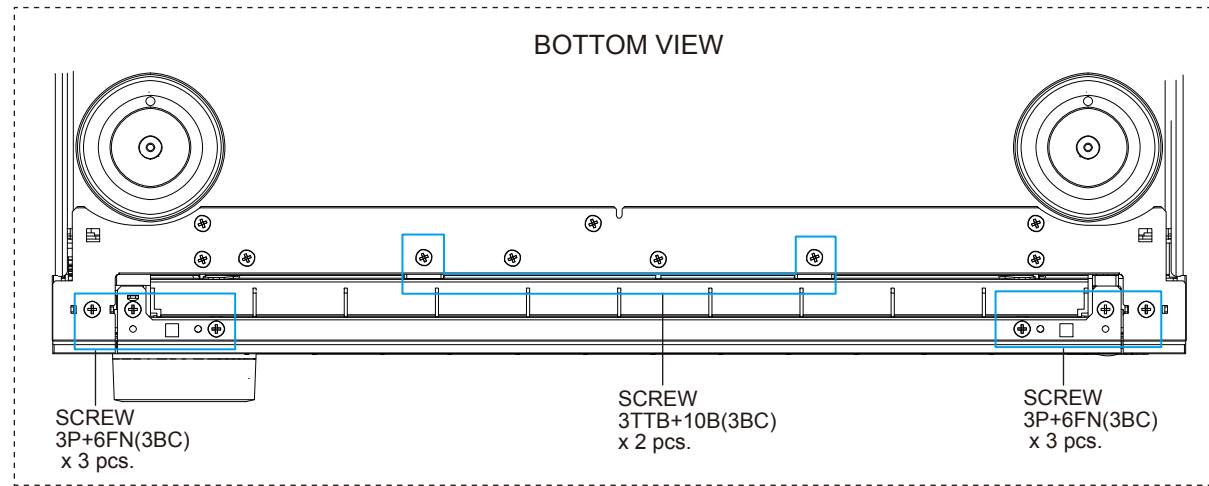
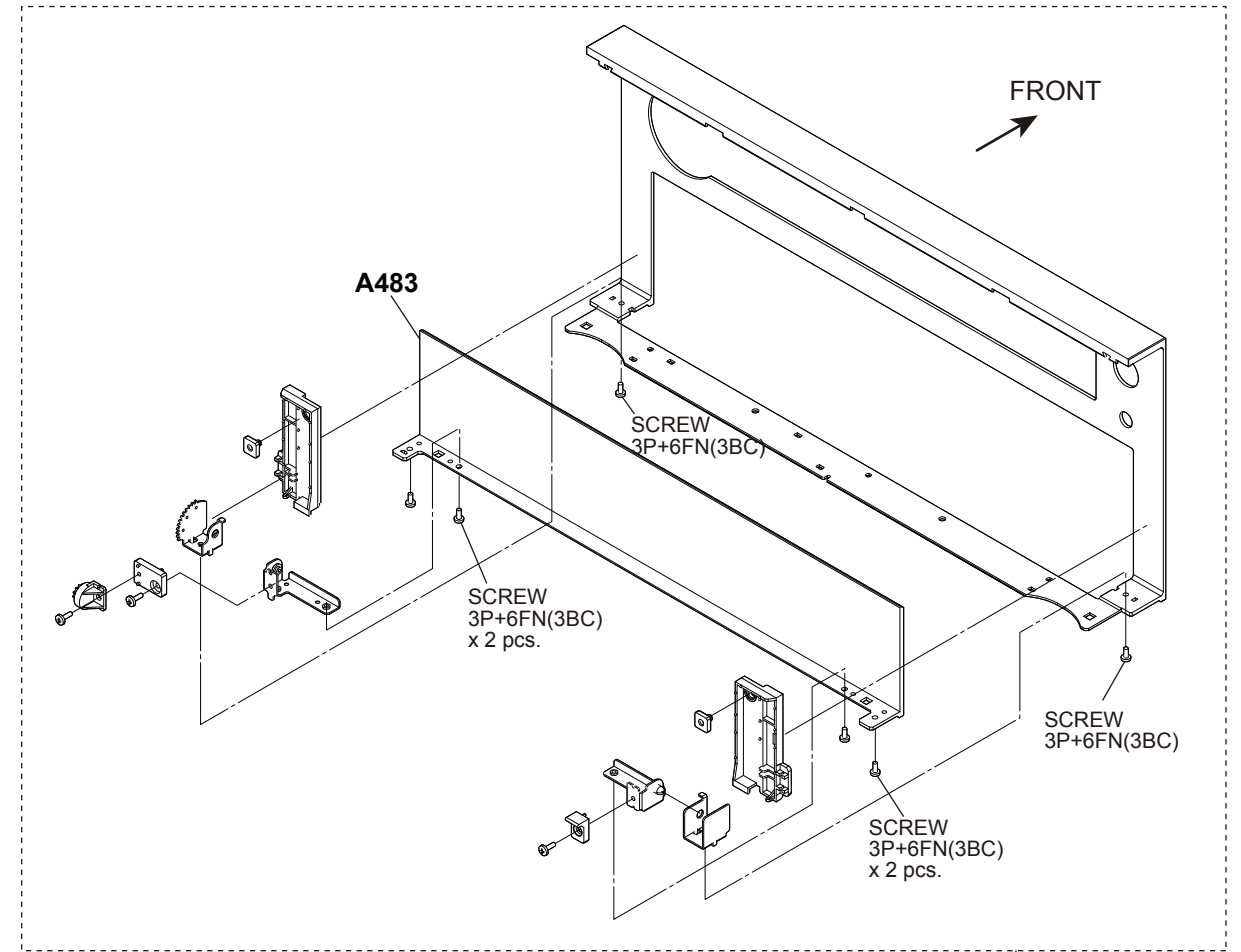
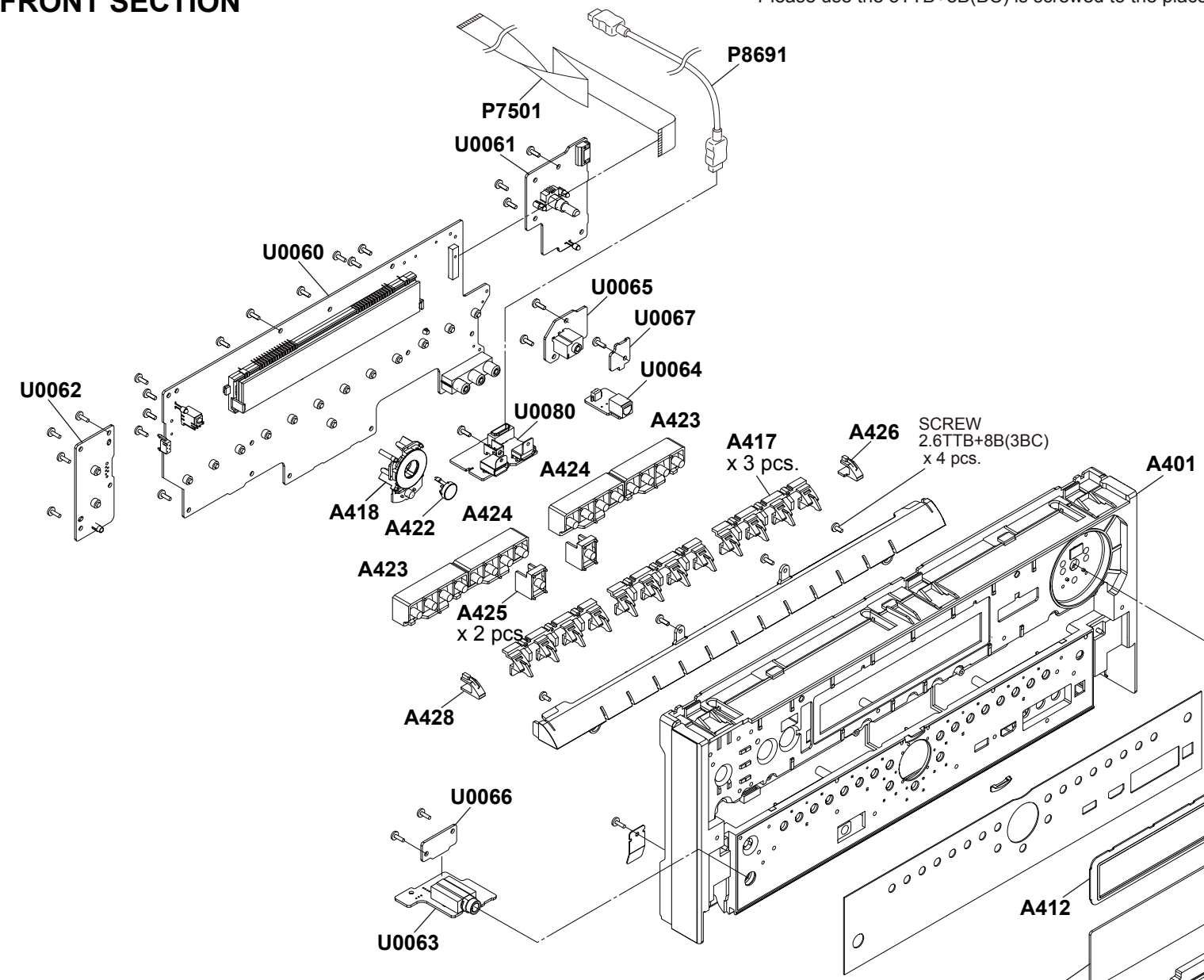
* WiFi & Bluetooth Module
U791A

<NOTE>
Please use the 3TTB+8B(BC) is screwed to the place that is not specified.



EXPLODED VIEWS-2 FRONT SECTION

<NOTE>
Please use the 3TTB+8B(BC) is screwed to the place that is not specified.

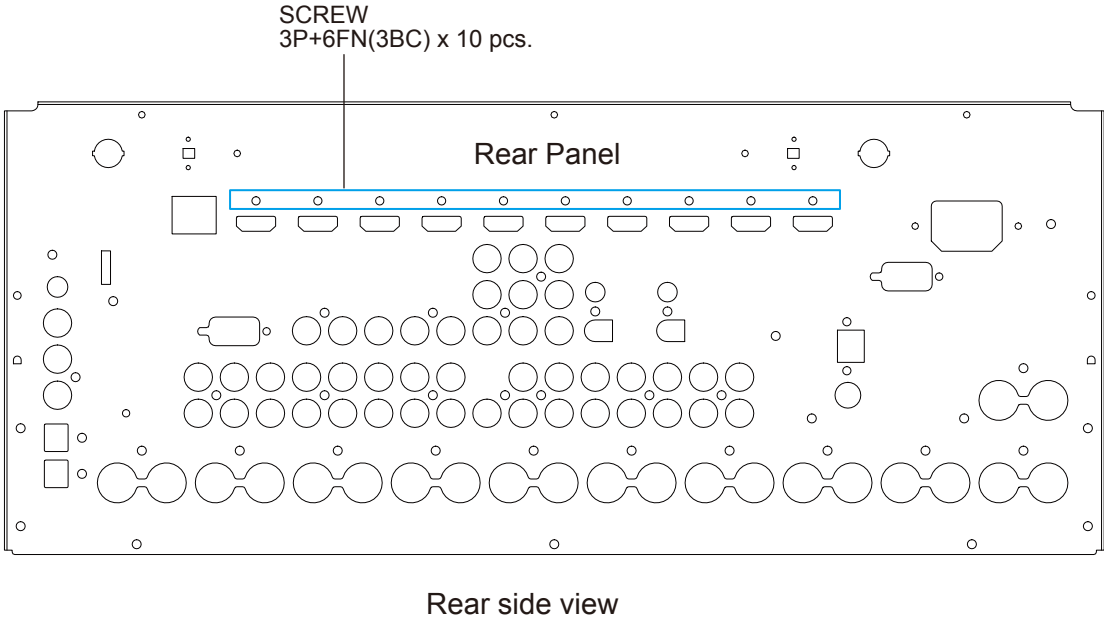


EXPLODED VIEWS-3

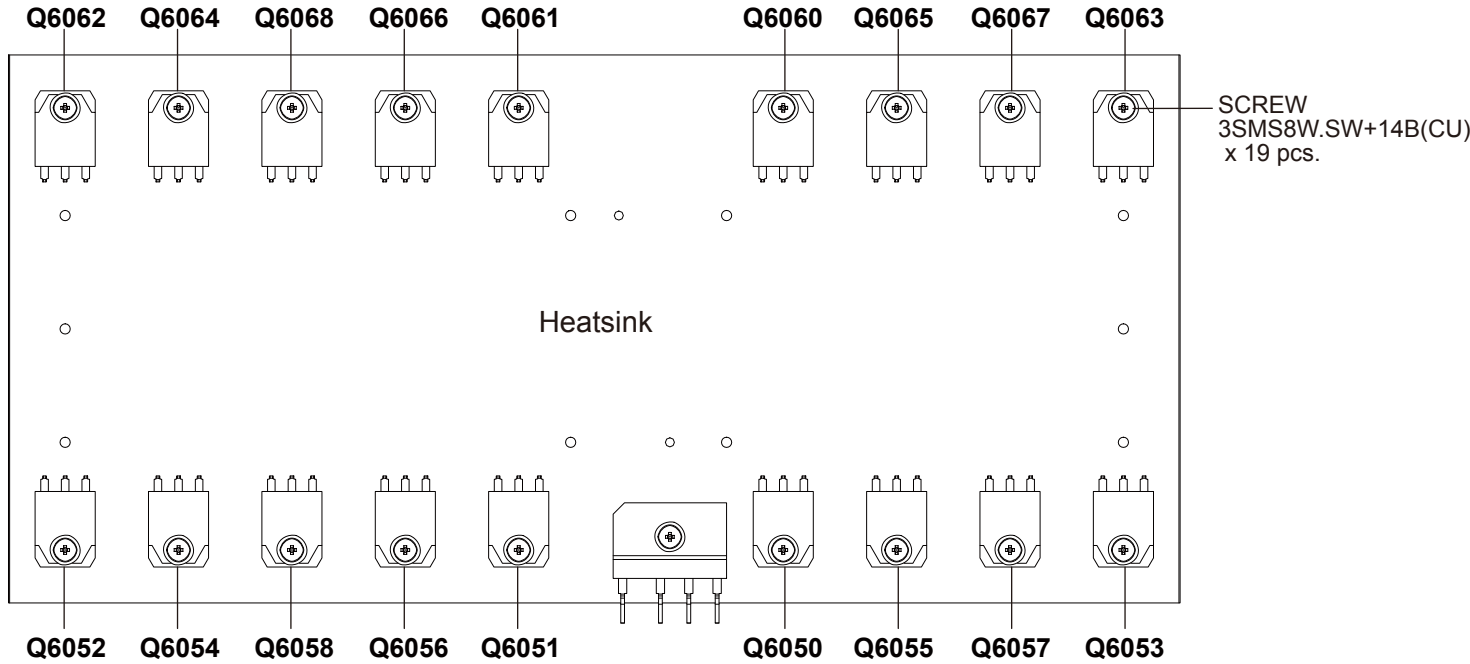
REAR PANEL/ HEATSINK SECTION

<NOTE>
Please use the 3TTB+8B(BC) is screwed to the place that is not specified.

REAR PANEL SECTION



HEATSINK SECTION



EXPLODED VIEWS-4

* WiFi & Bluetooth Module has already been certificated by FCC and IC.

Information to the user.

Indicate "Contains FCC ID: TX2-RTL8273AS", "Contains IC: 6317A- RTL8273AS" and following information to the host device installed.

This device complies with part 15 of the FCC Rules. Operation is subject to the following two conditions: (1) This device may not cause harmful interference, and (2) this device must accept any interference received, including interference that may cause undesired operation.

Describe the following sentence to a user's manual of the host device.

[For FCC]

FCC CAUTION

Changes or modifications not expressly approved by the party responsible for compliance could void the user's authority to operate the equipment.

Note: This equipment has been tested and found to comply with the limits for a Class B digital device, pursuant to part 15 of the FCC Rules. These limits are designed to provide reasonable protection against harmful interference in a residential installation. This equipment generates, uses and can radiate radio frequency energy and, if not installed and used in accordance with the instructions, may cause harmful interference to radio communications. However, there is no guarantee that interference will not occur in a particular installation. If this equipment does cause harmful interference to radio or television reception, which can be determined by turning the equipment off and on, the user is encouraged to try to correct the interference by one or more of the following measures:

- Reorient or relocate the receiving antenna.
- Increase the separation between the equipment and receiver.
- Connect the equipment into an outlet on a circuit different from that to which the receiver is connected.
- Consult the dealer or an experienced radio/TV technician for help.

This transmitter must not be co-located or operated in conjunction with any other antenna or transmitter.

This equipment complies with FCC radiation exposure limits set forth for an uncontrolled environment and meets the FCC radio frequency (RF) Exposure Guidelines in Supplement C to OET65. This equipment has very low levels of RF energy that it deemed to comply without maximum permissive exposure evaluation (MPE). But it is desirable that it should be installed and operated keeping the radiator at least 20cm or more away from person's body (excluding extremities: hands, wrists, feet and ankles).

[For IC]

This Class B digital apparatus complies with Canadian ICES-003.

Cet appareil numérique de la classe B est conforme à la norme NMB-003 du Canada.

This device complies with Industry Canada licence-exempt RSS standard(s). Operation is subject to the following two conditions: (1) this device may not cause interference, and (2) this device must accept any interference, including interference that may cause undesired operation of the device.

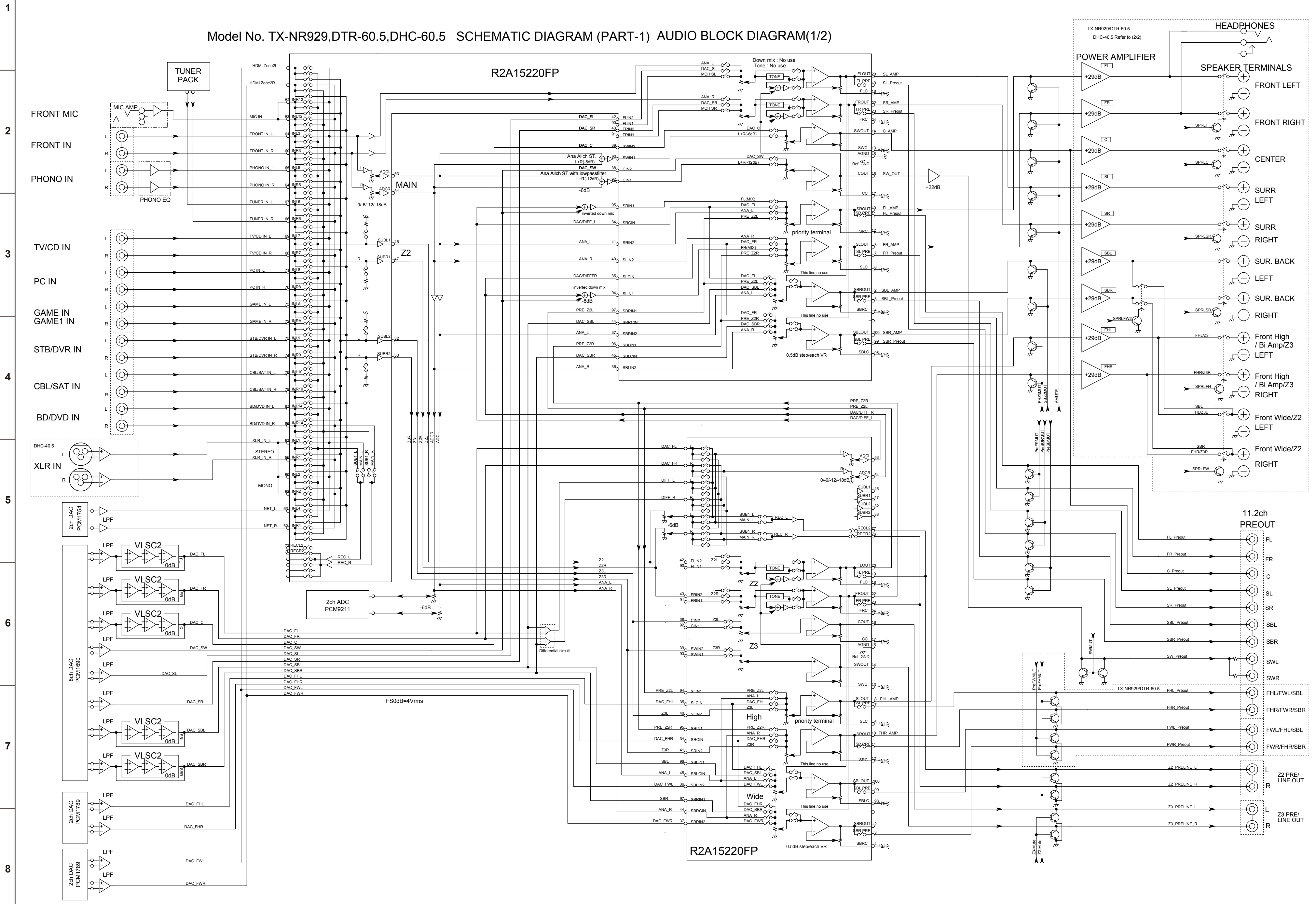
Le présent appareil est conforme aux CNR d'Industrie Canada applicables aux appareils radio exempts de licence. L'exploitation est autorisée aux deux conditions suivantes : (1) l'appareil ne doit pas produire de brouillage, et (2) l'utilisateur de l'appareil doit accepter tout brouillage radioélectrique subi, même si le brouillage est susceptible d'en compromettre le fonctionnement.

This equipment complies with IC radiation exposure limits set forth for an uncontrolled environment and meets RSS-102 of the IC radio frequency (RF) Exposure rules. This equipment has very low levels of RF energy that it deemed to comply without maximum permissive exposure evaluation (MPE). But it is desirable that it should be installed and operated keeping the radiator at least 20cm or more away from person's body (excluding extremities: hands, wrists, feet and ankles).

Cet équipement est conforme aux limites d'exposition aux rayonnements énoncées pour un environnement non contrôlé et respecte les règles d'exposition aux fréquences radioélectriques (RF) CNR-102 de l'IC. Cet équipement émet une énergie RF très faible qui est considérée conforme sans évaluation de l'exposition maximale autorisée. Cependant, cet équipement doit être installé et utilisé en gardant une distance de 20 cm ou plus entre le dispositif rayonnant et le corps (à l'exception des extrémités : mains, poignets, pieds et chevilles).

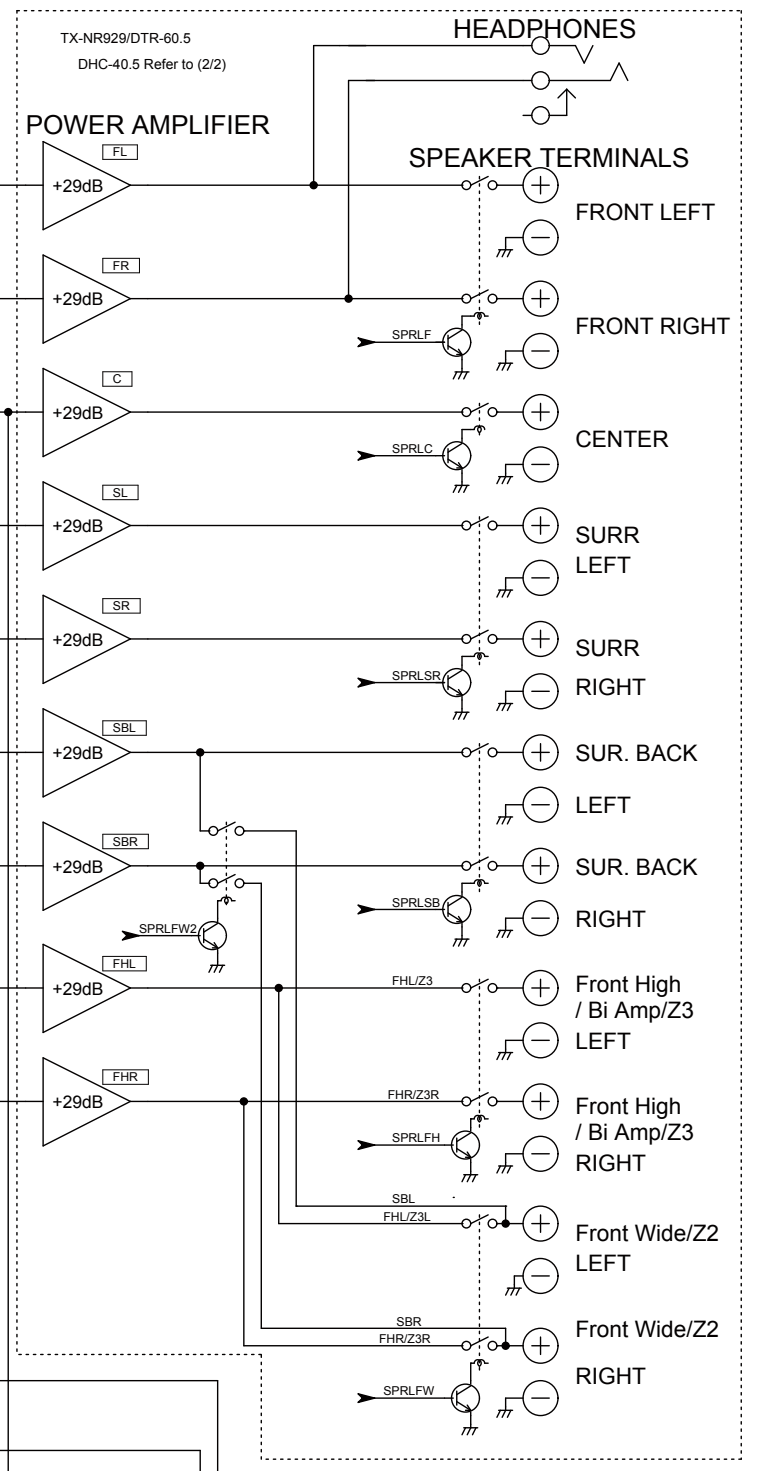
SCHEMATIC DIAGRAMS-01(PART-1)
AUDIO BLOCK DIAGRAM(1/2) SECTION

Model No. TX-NR929,DTR-60.5,DHC-60.5 SCHEMATIC DIAGRAM (PART-1) AUDIO BLOCK DIAGRAM(1/2)



1
2
3
4
5
6
7
8

A B C D E F G H I J K



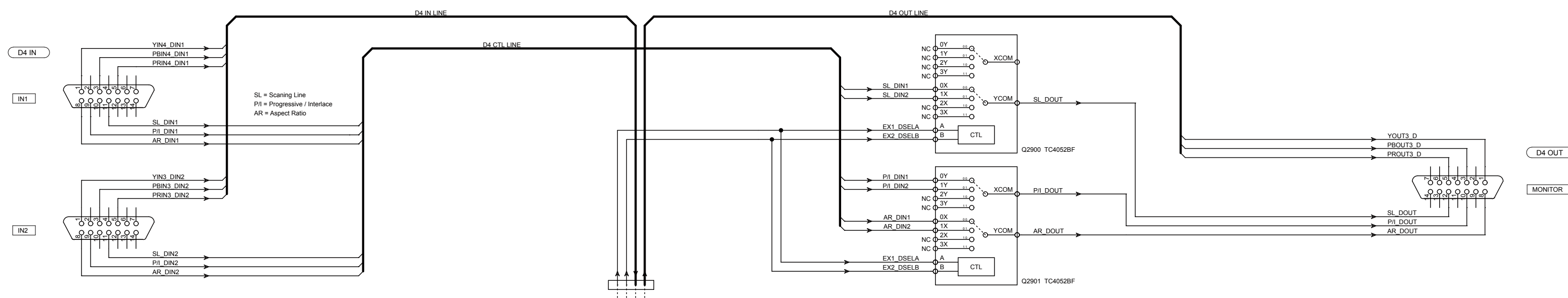
R2A15220FP

R2A15220FP

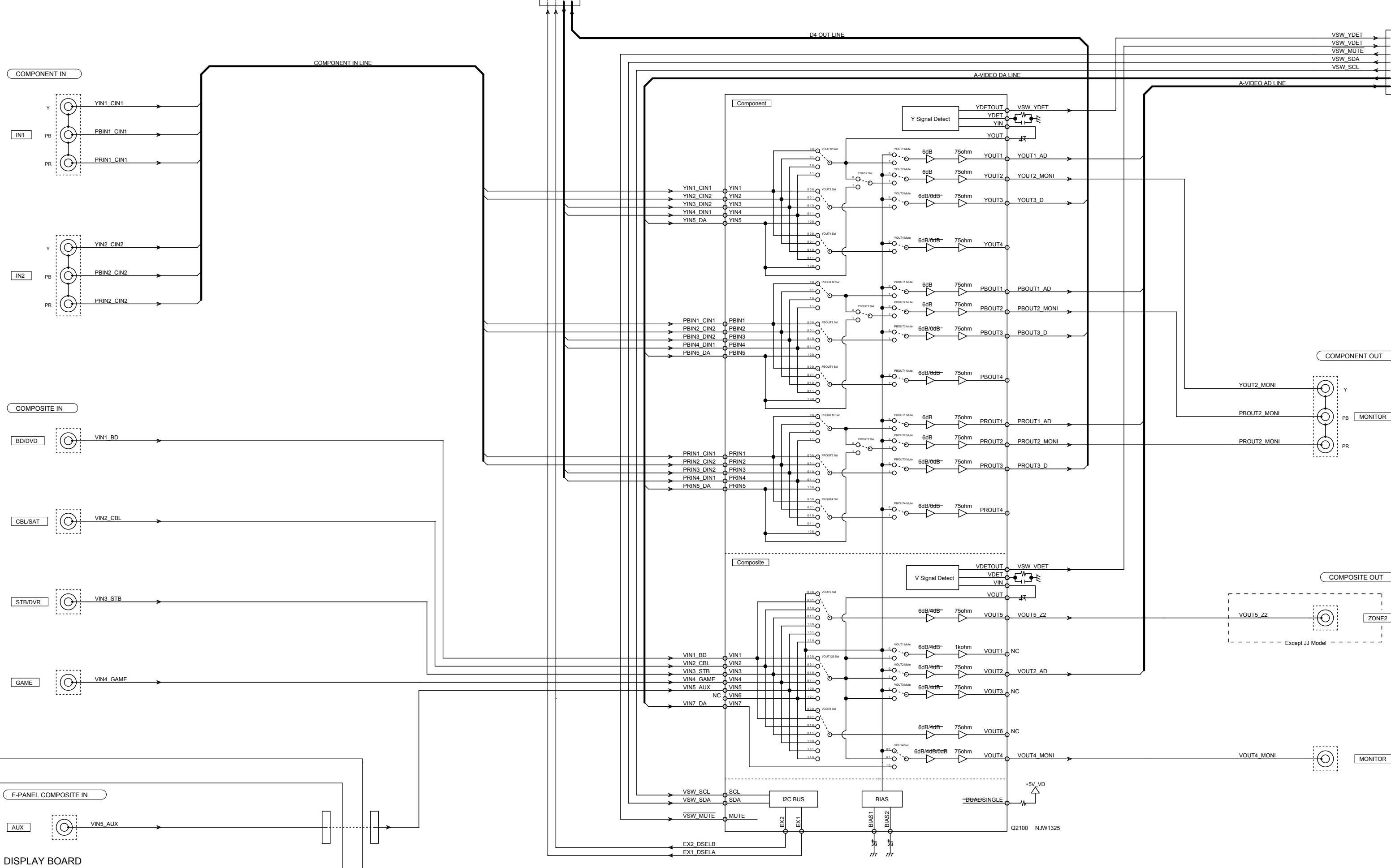
SCHEMATIC DIAGRAMS-02(PART-2)
ANALOG VIDEO BLOCK DIAGRAM SECTION

Model No.TX-NR929,DTR-60.5,DHC-60.5 ANALOG VIDEO BLOCK DIAGRAM(PART-2)

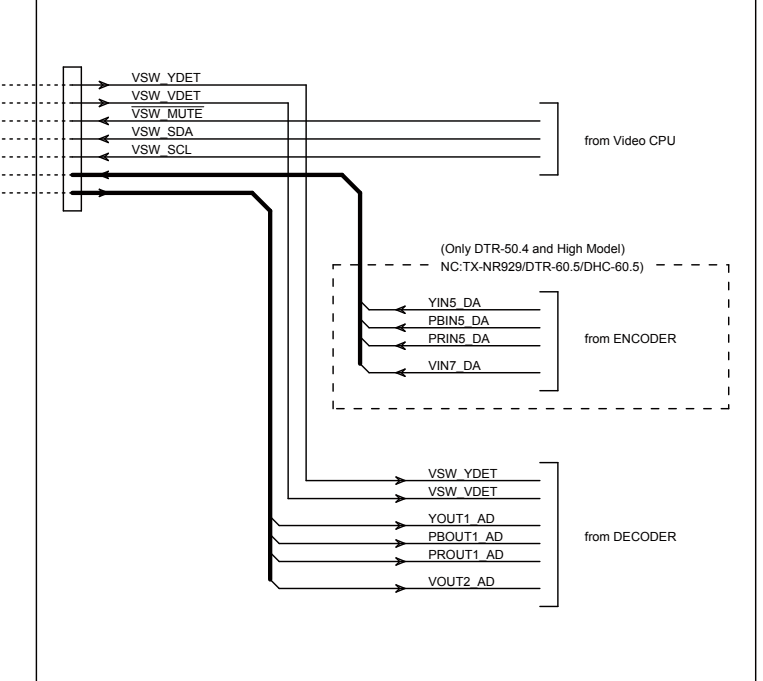
D4 BOARD
NC:TX-NR929/DTR-60.5/DHC-60.5



VIDEO BOARD



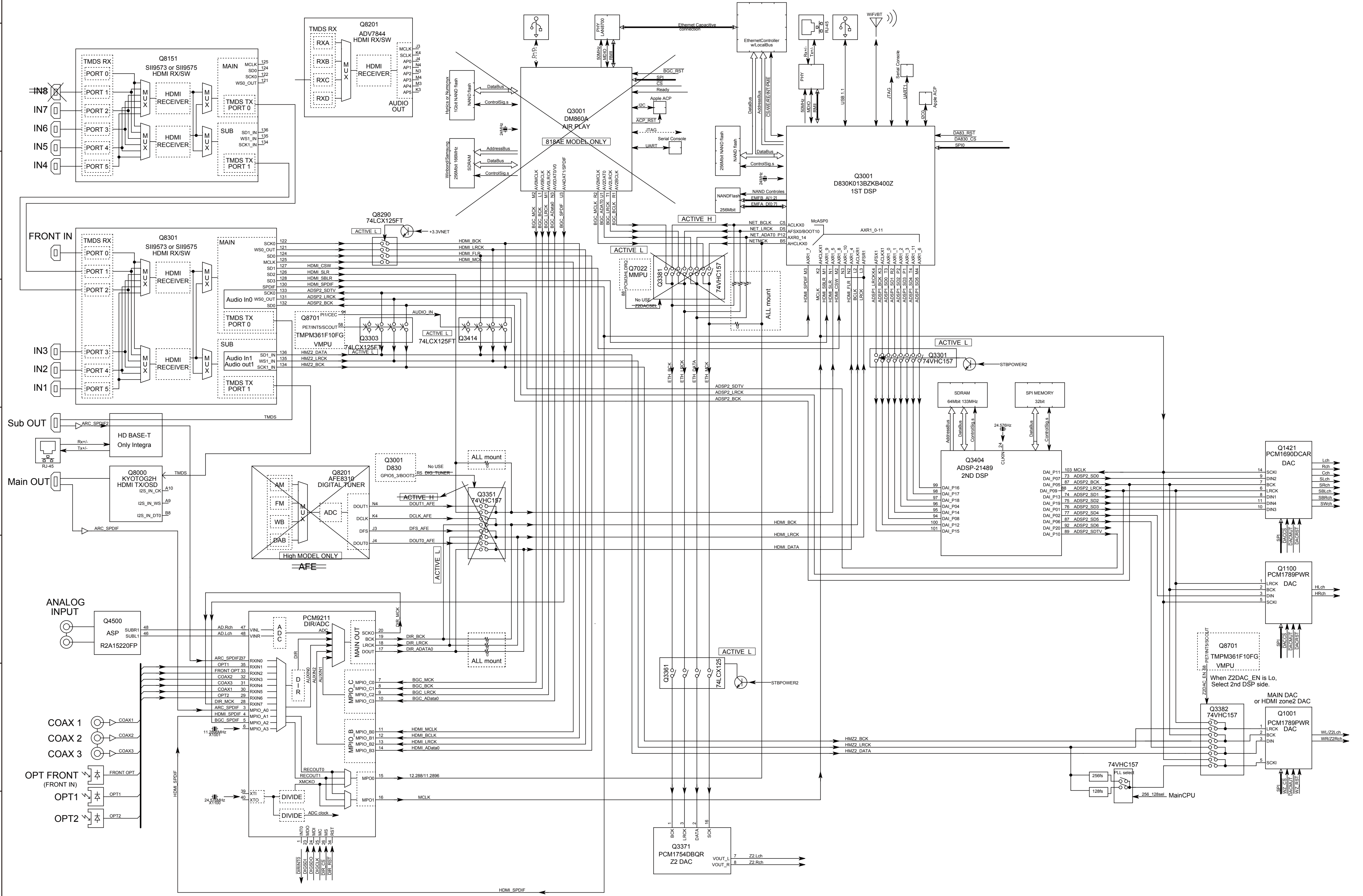
HDMI BOARD



1
2
3
4
5
6
7
8

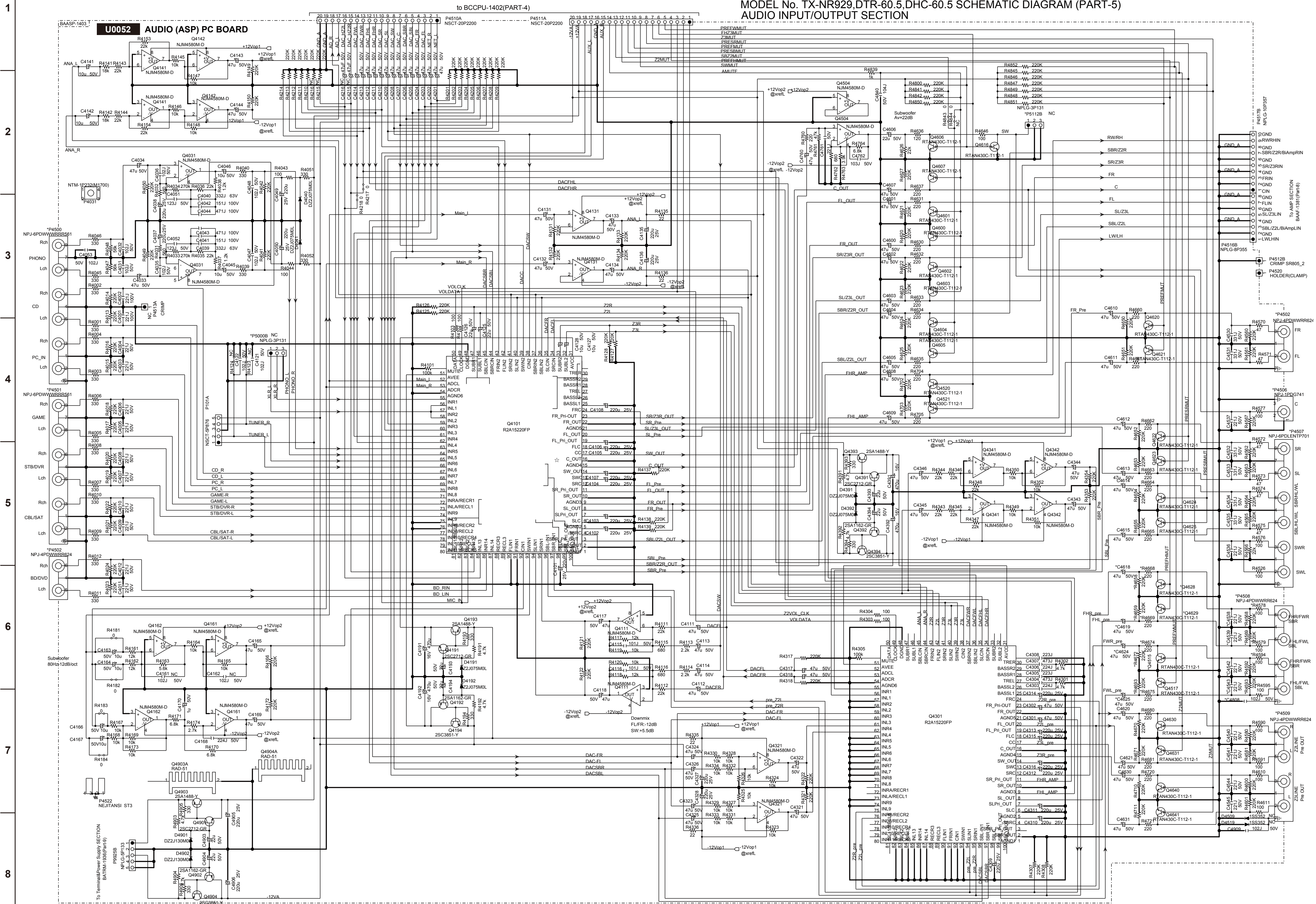
SCHEMATIC DIAGRAMS-04(PART-4)
BLOCK DIAGRAM(DIGITAL AUDIO SECTION)

Model No. TX-NR929,DTR-60.5,DHC-60.5 SCHEMATIC DIAGRAM (PART-4) BLOCK DIAGRAM(DIGITAL AUDIO)



SCHEMATIC DIAGRAMS-05(PART-5)
AUDIO INPUT/OUTPUT SECTION

MODEL No. TX-NR929,DTR-60.5,DHC-60.5 SCHEMATIC DIAGRAM (PART-5)
AUDIO INPUT/OUTPUT SECTION



1

2

3

4

5

6

7

8

A

B

C

D

E

F

G

H

I

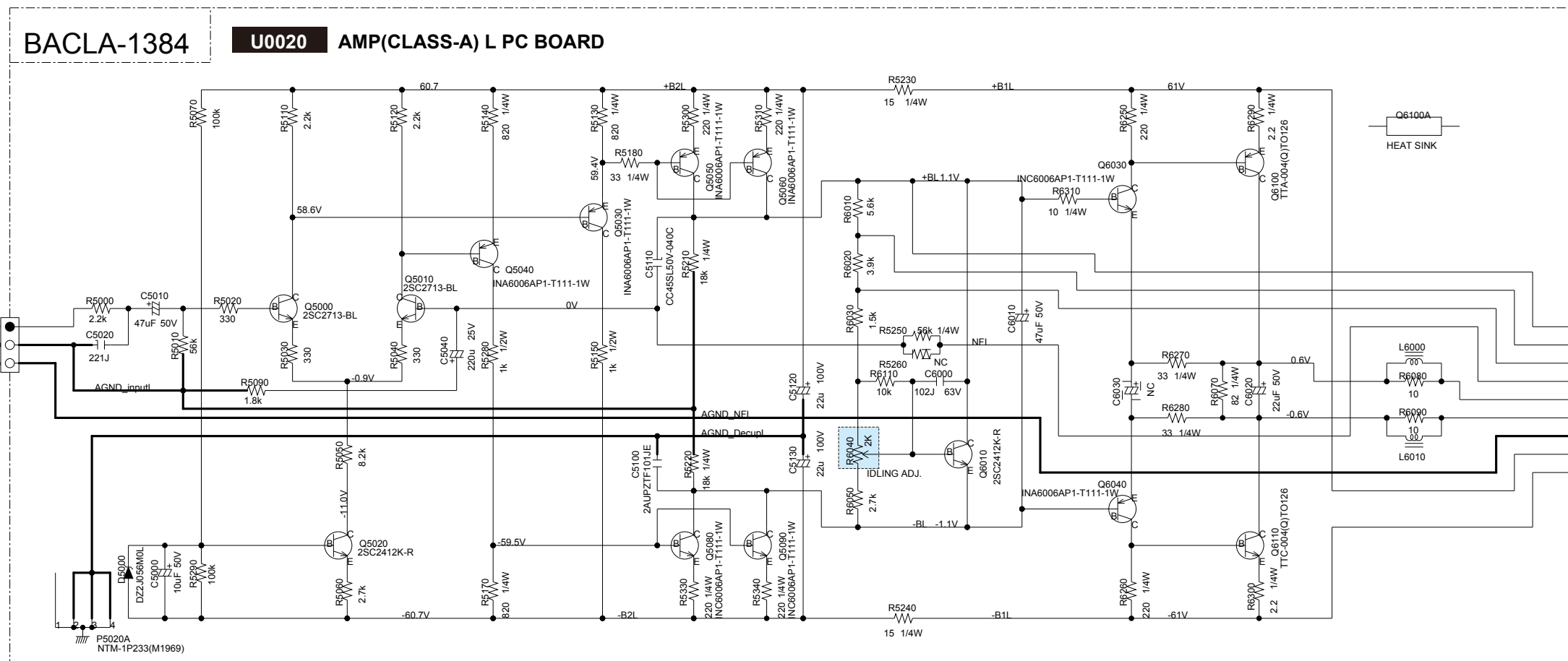
J

K

SCHEMATIC DIAGRAMS-06-1(PART-6-1)
VOLTAGE AMP(L) SECTION

Model No. TX-NR929,DTR-60.5 SCHEMATIC DIAGRAM (PART-6)
 AMP(VoltageAMP) SECTION

BACLA-1384



<Note>
 Refer to the "SCHEMATIC DIAGRAMS-07(PART-7)" for the adjustment procedure.

SCHEMATIC DIAGRAMS-06-3(PART-6-3)
VOLTAGE AMP(SL) SECTION

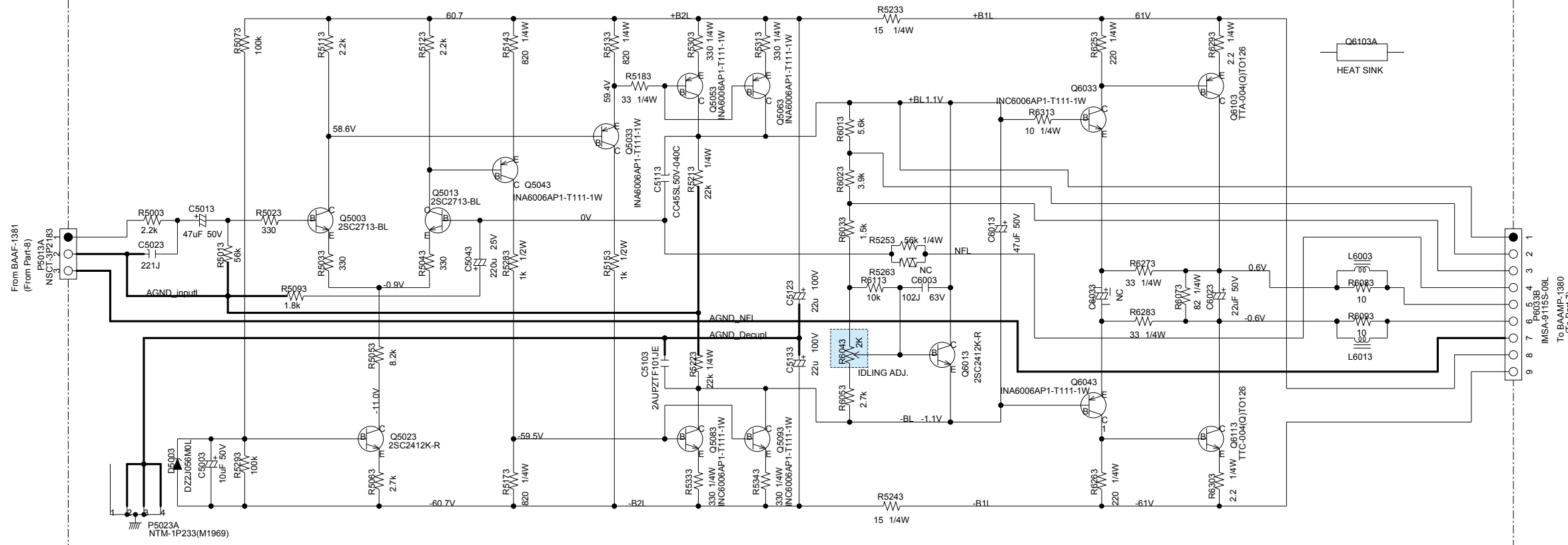
Model No. TX-NR929,DTR-60.5 SCHEMATIC DIAGRAM (PART-6)
 AMP(VoltageAMP) SECTION

BACLA-1384

SL

BACLA-1386

U0022 AMP(CLASS-A) SL PC BOARD



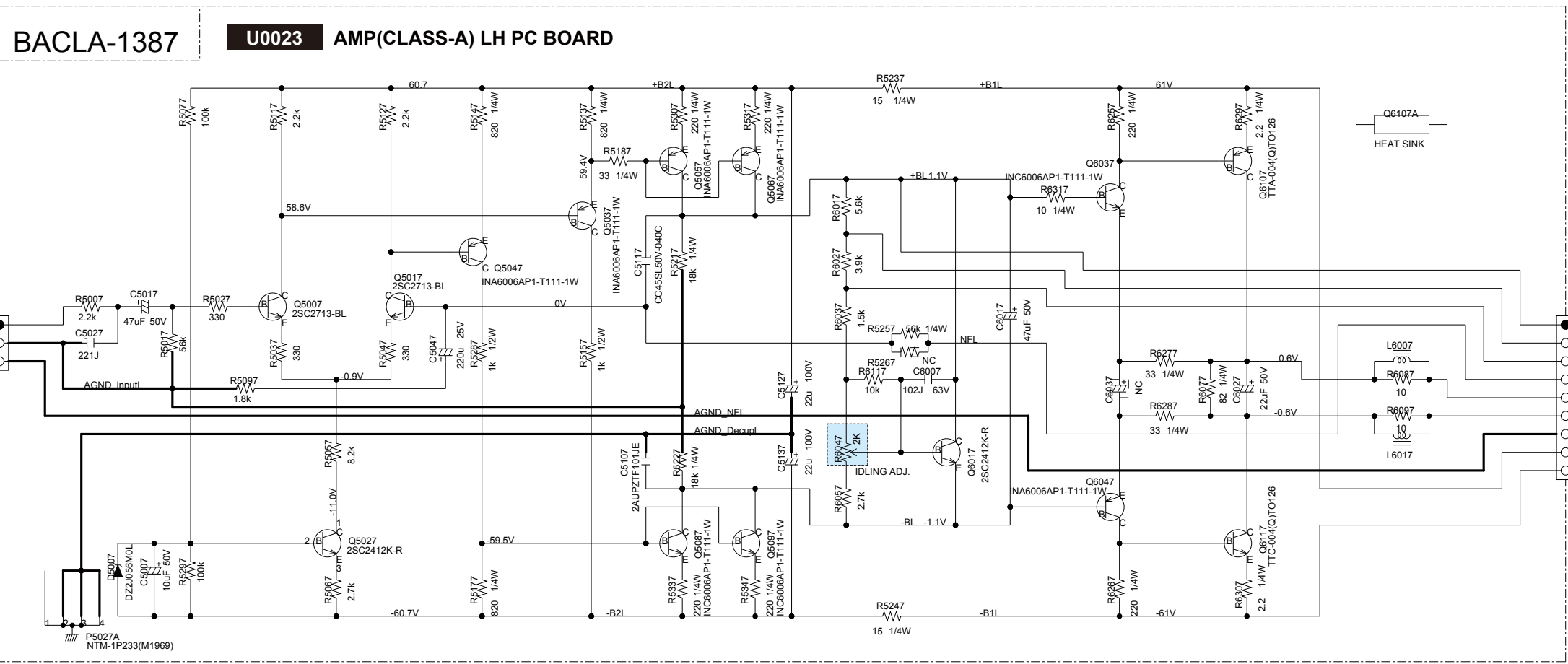
<Note>
 Refer to the "SCHEMATIC DIAGRAMS-07(PART-7)" for the adjustment procedure.

SCHMATIC DIAGRAMS-06-4(PART-6-4)
VOLTAGE AMP(LH) SECTION

Model No. TX-NR929,DTR-60.5 SCHEMATIC DIAGRAM (PART-6)
AMP(VoltageAMP) SECTION

BACLA-1384

LH



<Note>
Refer to the "SCHEMATIC DIAGRAMS-07(PART-7)" for the adjustment procedure.

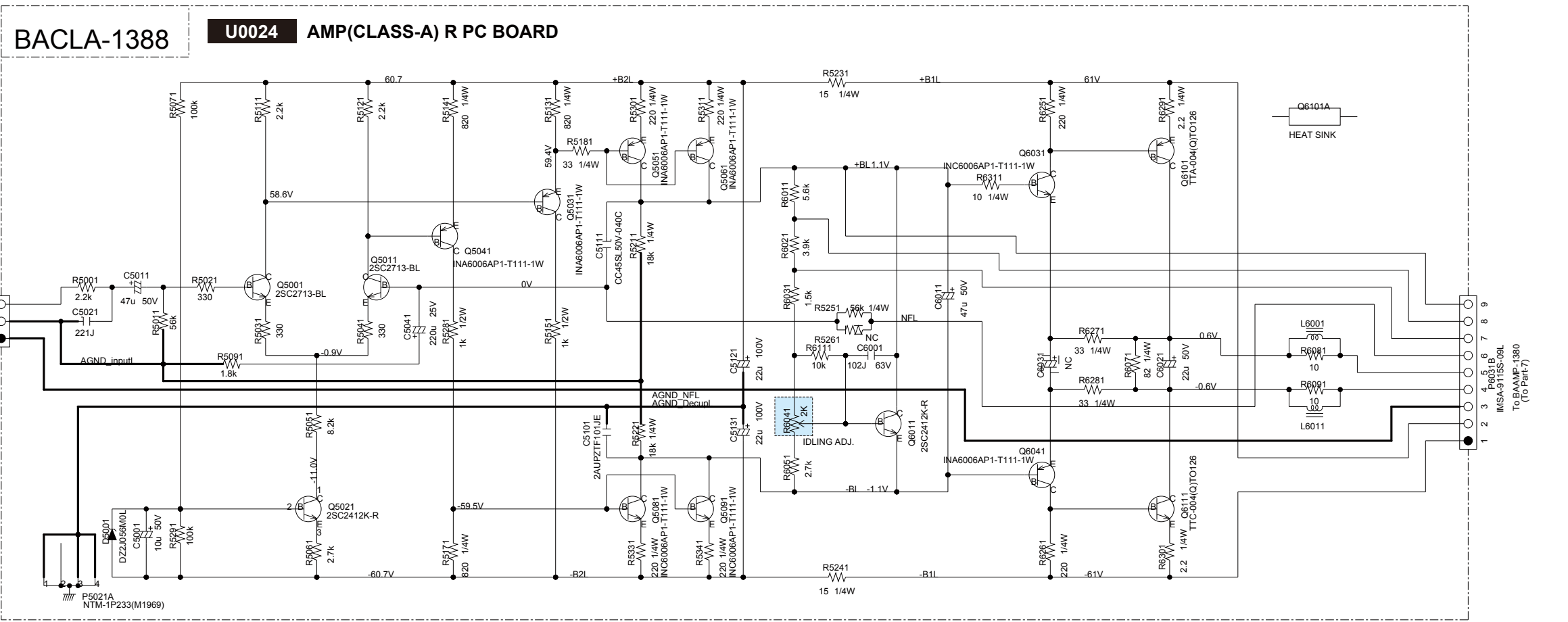
To BAAF-1380
(To Part 7)

SCHEMATIC DIAGRAMS-06-5(PART-6-5)
VOLTAGE AMP(R) SECTION

Model No. TX-NR929,DTR-60.5 SCHEMATIC DIAGRAM (PART-6)
 AMP(VoltageAMP) SECTION

BACLA-1384

R



<Note>
 Refer to the "SCHEMATIC DIAGRAMS-07(PART-7)" for the adjustment procedure.

SCHEMATIC DIAGRAMS-06-7(PART-6-7)
VOLTAGE AMP(SR) SECTION

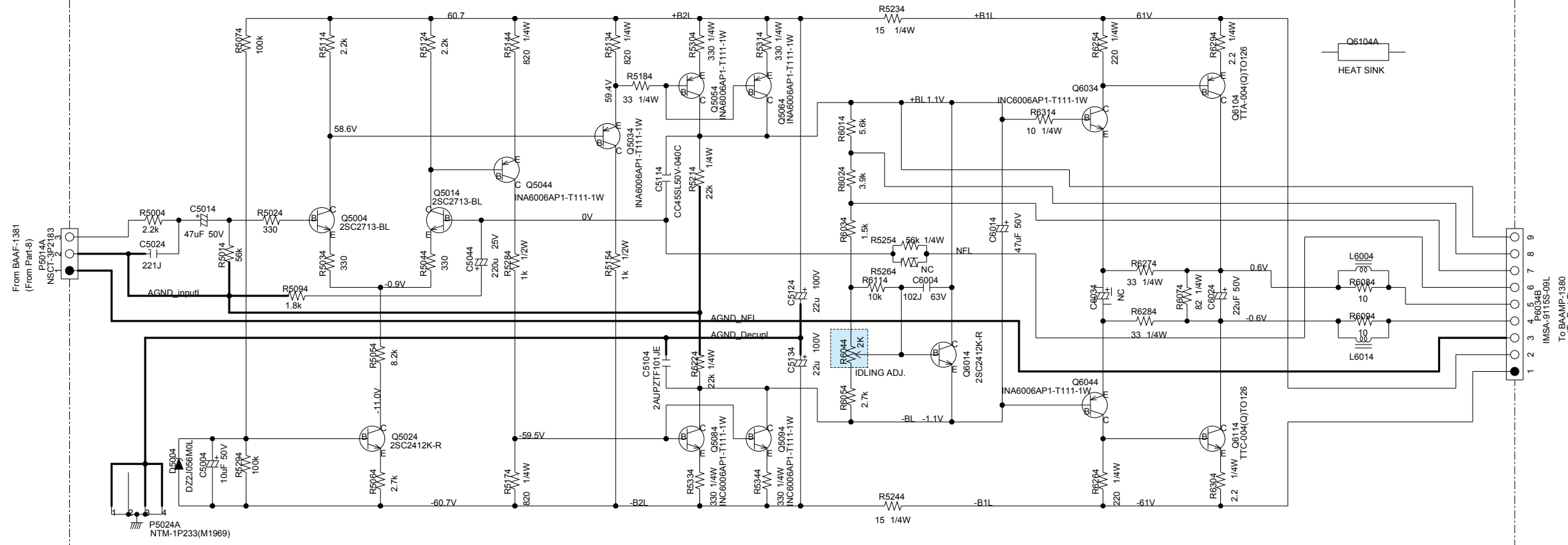
Model No. TX-NR929,DTR-60.5 SCHEMATIC DIAGRAM (PART-6)
 AMP(VoltageAMP) SECTION

BACLA-1384

U0026 AMP(CLASS-A) SR PC BOARD

SR

BACLA-1390



<Note>
 Refer to the "SCHEMATIC DIAGRAMS-07(PART-7)" for the adjustment procedure.

SCHMATIC DIAGRAMS-06-8(PART-6-8)

VOLTAGE AMP(C) SECTION

Model No. TX-NR929,DTR-60.5 SCHEMATIC DIAGRAM (PART-6)

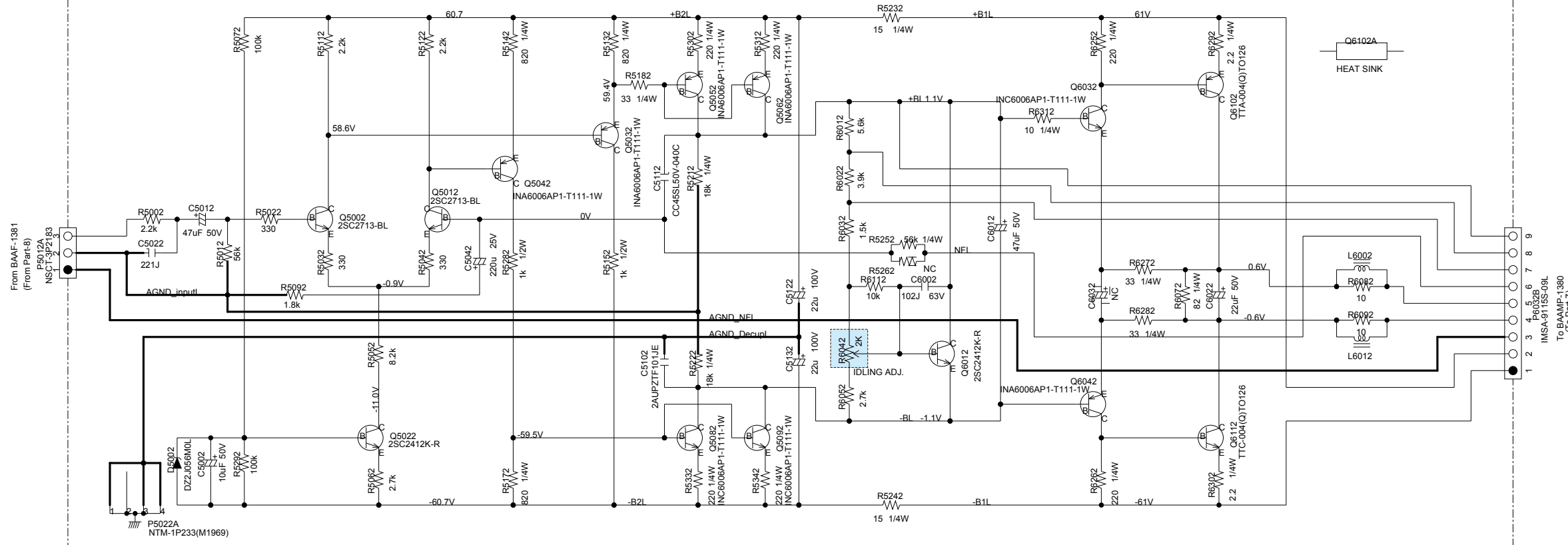
AMP(VoltageAMP) SECTION

BACLA-1384

C

BACLA-1391

U0027 AMP(CLASS-A) C PC BOARD



<Note>
 Refer to the "SCHEMATIC DIAGRAMS-07(PART-7)" for the adjustment procedure.

1
 2
 3
 4
 5

SCHEMATIC DIAGRAMS-06-9(PART-6-9)
VOLTAGE AMP(RH) SECTION

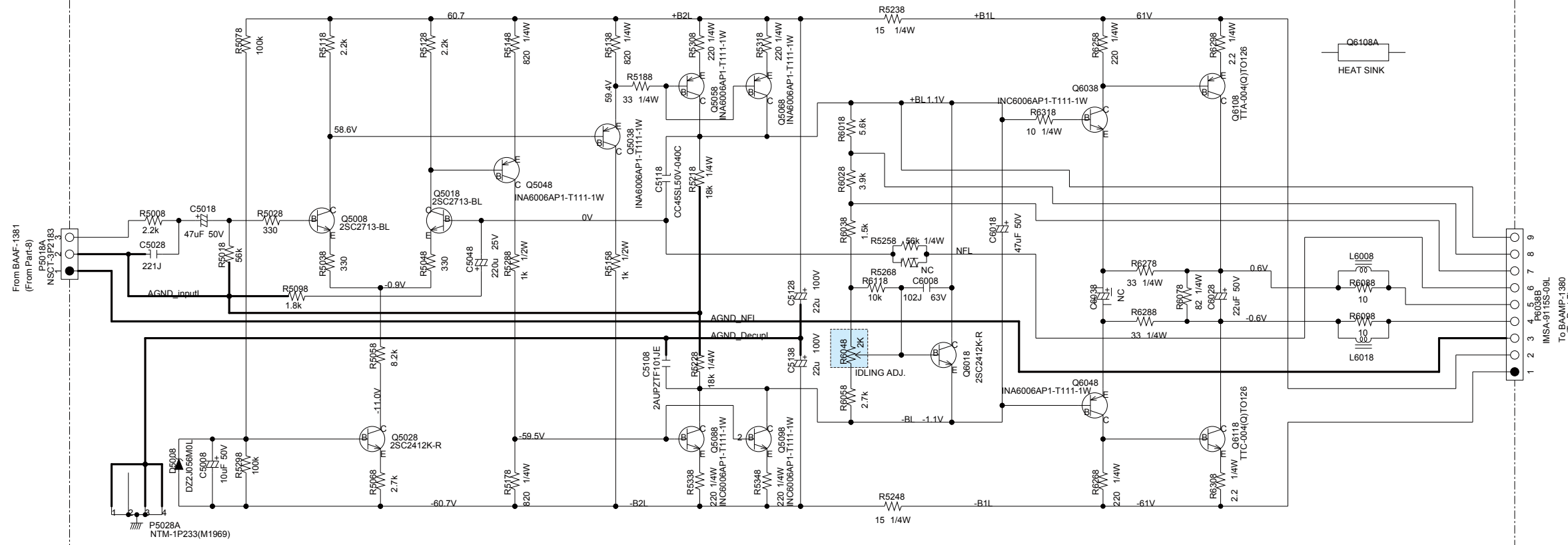
Model No. TX-NR929,DTR-60.5 SCHEMATIC DIAGRAM (PART-6)
 AMP(VoltageAMP) SECTION

BACLA-1384

RH

BACLA-1392

U0028 AMP(CLASS-A) RH PC BOARD



<Note>
 Refer to the "SCHEMATIC DIAGRAMS-07(PART-7)" for the adjustment procedure.

SCHEMATIC DIAGRAMS-07(PART-7)
POWER AMP(FINAL) SECTION

Model No. TX-NR929,DTR-60.5
POWER AMP(Final Stage) SECTION

SCHEMATIC DIAGRAM (PART-7)

BAAMP-1380 U0010 AMP PC BOARD

ADJUSTMENT OF IDLING CURRENT

- Set the voltages at P6070~6078 to 3mV by adjusting R6040~6048, under the condition of no input and no load, immediately after POWER ON. (Except DHC-60.5)
- Re-adjust by following procedure after 4~6 minutes of heat running.

L/C/R		SL/SR/SBL/SBR	
Below 4mV	4mV	Below 4mV	4mV
Between 4~6mV	Leave it as it is.	Between 4~6mV	Leave it as it is.
Over 6mV	6mV	Over 6mV	6mV

*Set R6040-6048 to minimum position before POWER ON.

*Equip series 1/4W 100-ohm resistors near the terminal respectively in the each poles of the jig used for P6070-6078 terminals.

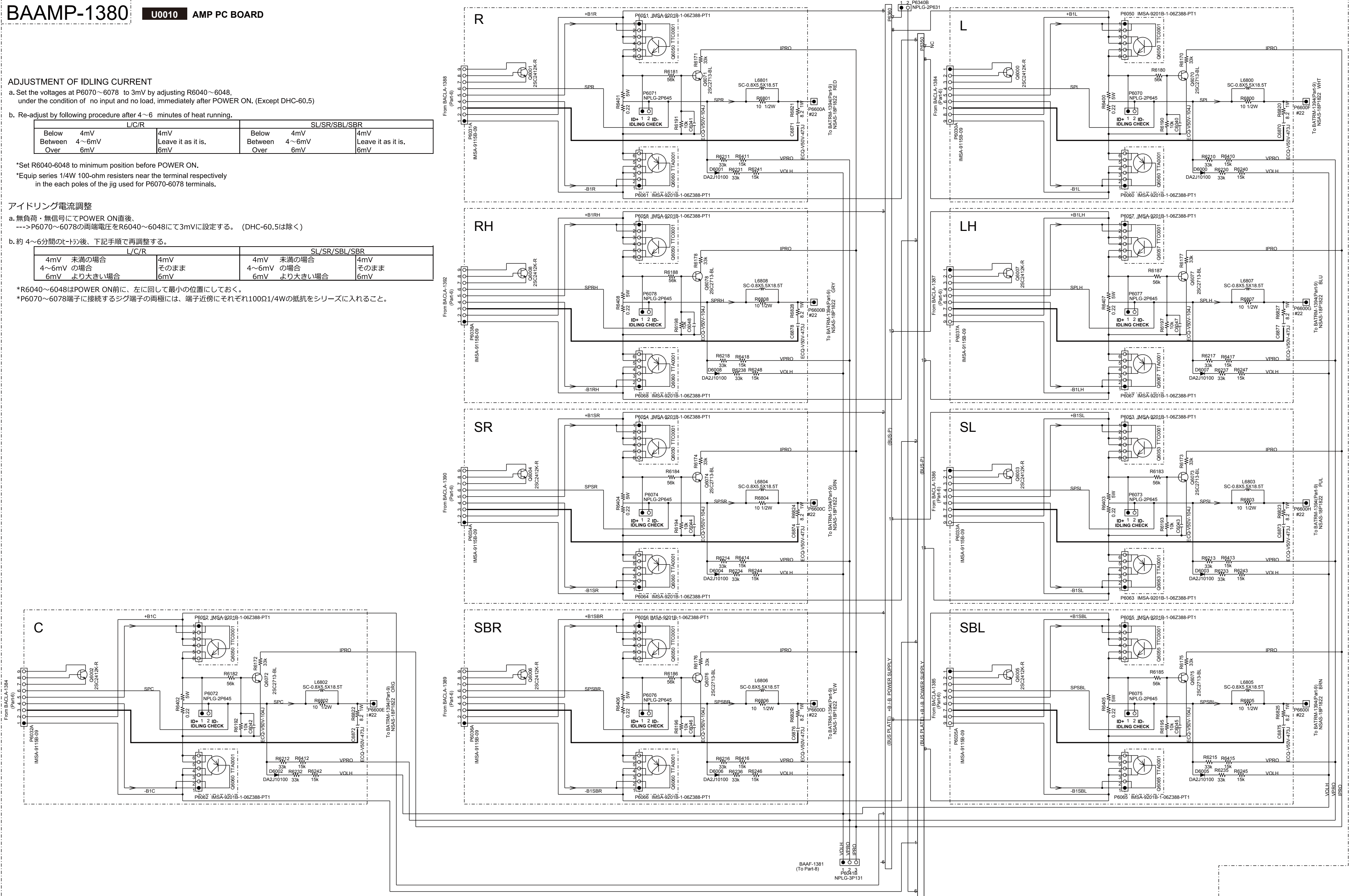
アイドル電流調整

- 無負荷・無信号にてPOWER ON直後、--->P6070~6078の両端電圧をR6040~6048にて3mVに設定する。(DHC-60.5は除く)
- 約4~6分間のヒートン後、下記手順で再調整する。

L/C/R		SL/SR/SBL/SBR	
4mV 未満の場合	4mV	4mV 未満の場合	4mV
4~6mV の場合	そのまま	4~6mV の場合	そのまま
6mV より大きい場合	6mV	6mV より大きい場合	6mV

*R6040~6048はPOWER ON前に、左に回して最小の位置にしておく。

*P6070~6078端子に接続するジグ端子の両極には、端子近傍にそれぞれ100Ω/1/4Wの抵抗をシリーズに入れること。



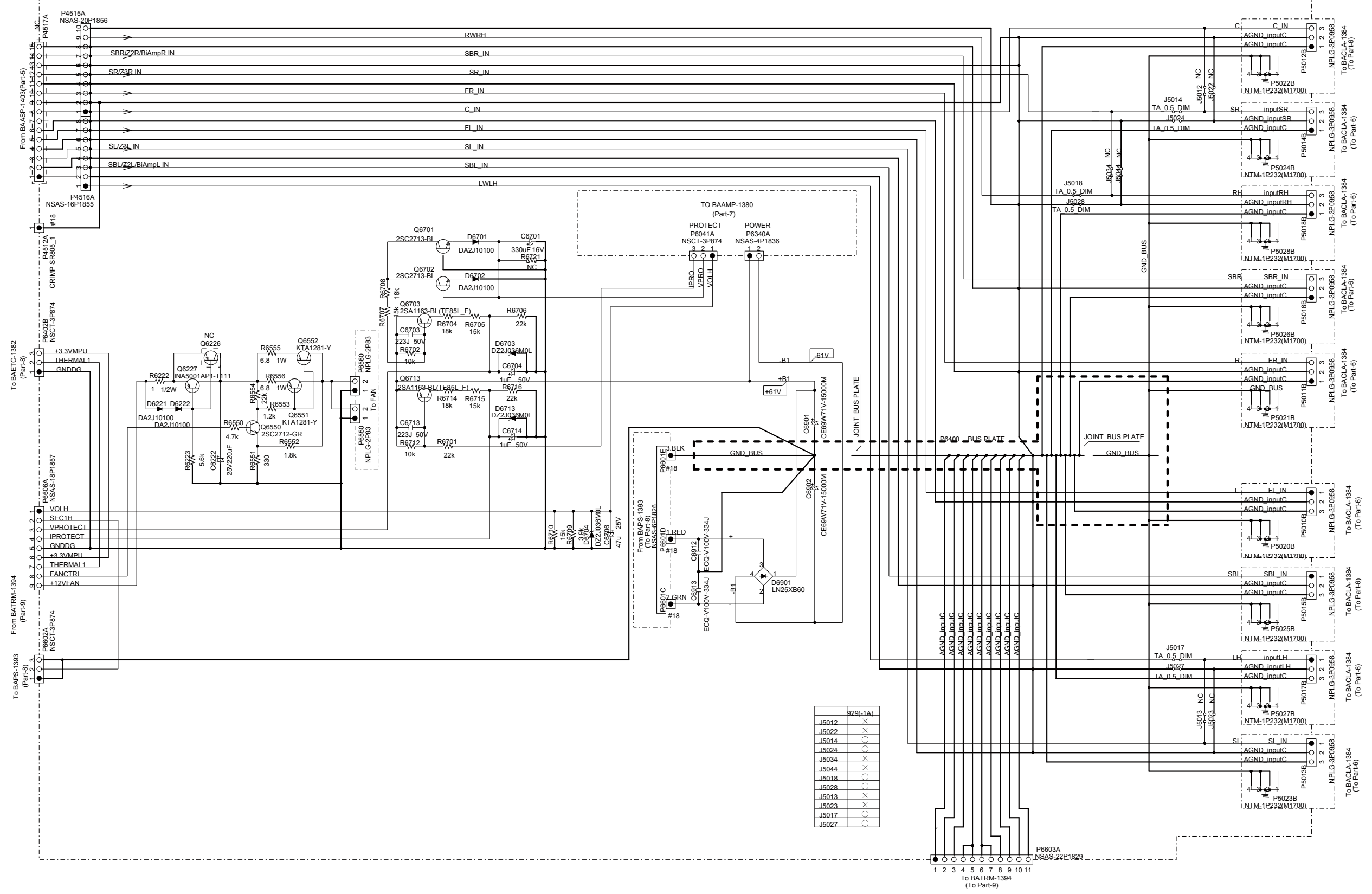
BAAF-1381
(To Part-6)

SCHEMATIC DIAGRAMS-08-1(PART-8-1)

AMP(Protect) SECTION

Model No. TX-NR929,DTR-60.5 SCHEMATIC DIAGRAM (PART-8)
AMP(Protect .etc) SECTION

BAAF-1381 U0011 POWER SUPPLY(AMP) PC BOARD



	929(1A)
J5012	X
J5022	X
J5014	X
J5024	X
J5034	X
J5044	X
J5018	X
J5028	X
J5013	X
J5023	X
J5017	X
J5027	X

1

2

3

4

5

1 2 3 4 5 6 7 8 9 10 11
To BATRM-1394
(To Part-9)

P8603A
NSAS-22P1829

A

B

C

D

E

SCHEMATIC DIAGRAMS-08-2(PART-8-2)

AMP(SENSOR) SECTION

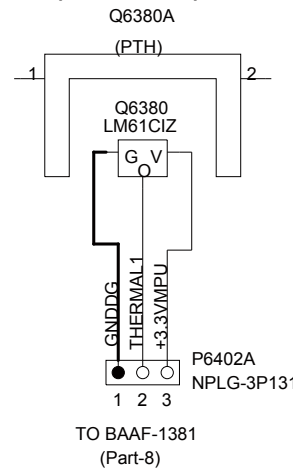
1

Model No. TX-NR929,DTR-60.5 SCHEMATIC DIAGRAM (PART-8)
AMP(Thermal sensor) SECTION

2

BAETC-1382

U0012 SENSOR(THERMAL) PC BOARD



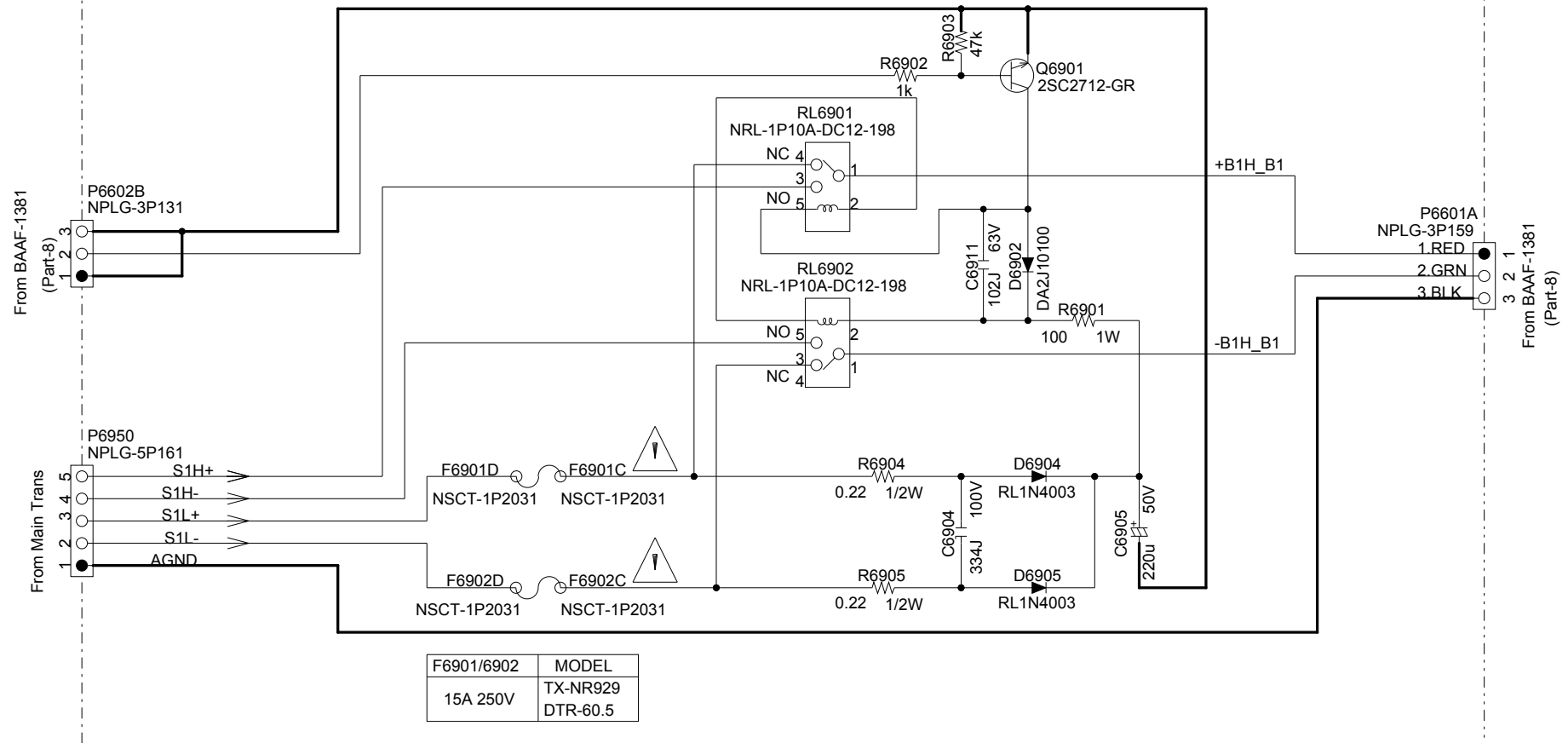
3

4

SCHEMATIC DIAGRAMS-08-3(PART-8-3)
AMP(POWER SUPPLY) SECTION

Model No. TX-NR929,DTR-60.5 SCHEMATIC DIAGRAM (PART-8)
 AMP(Power supply) SECTION

BAPS-1393 **U0029** POWER SUPPLY(SEC) PC BOARD



F6901/6902	MODEL
15A 250V	TX-NR929 DTR-60.5

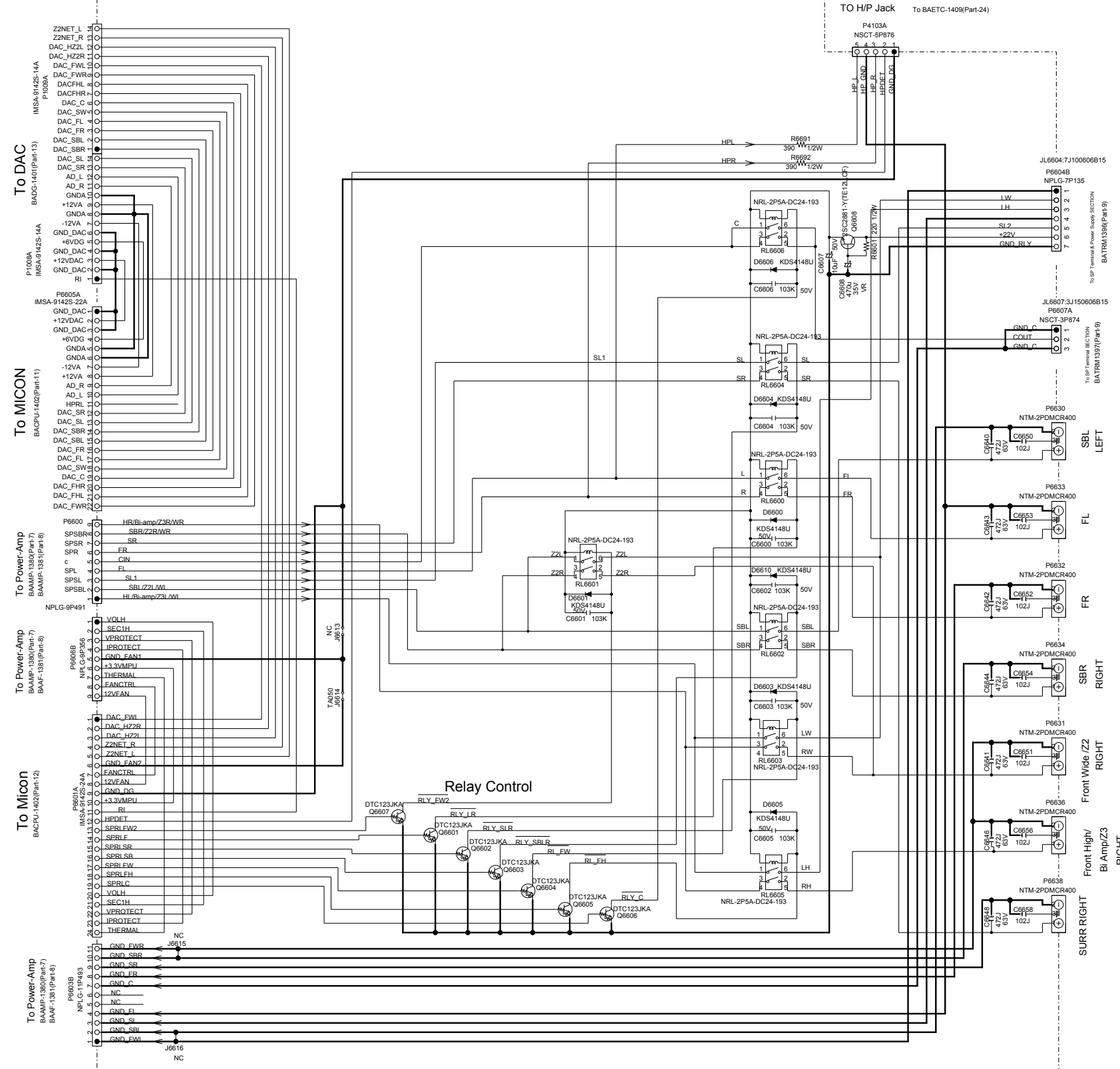
SCHEMATIC DIAGRAMS-09-1(PART-9-1) SPEAKER TERMINAL SECTION

Model No. TX-NR929,DTR-60.5 SCHEMATIC DIAGRAM (PART-9)
SP Terminal & Power Supply Section

1
2
3
4
5

A B C D E F G H

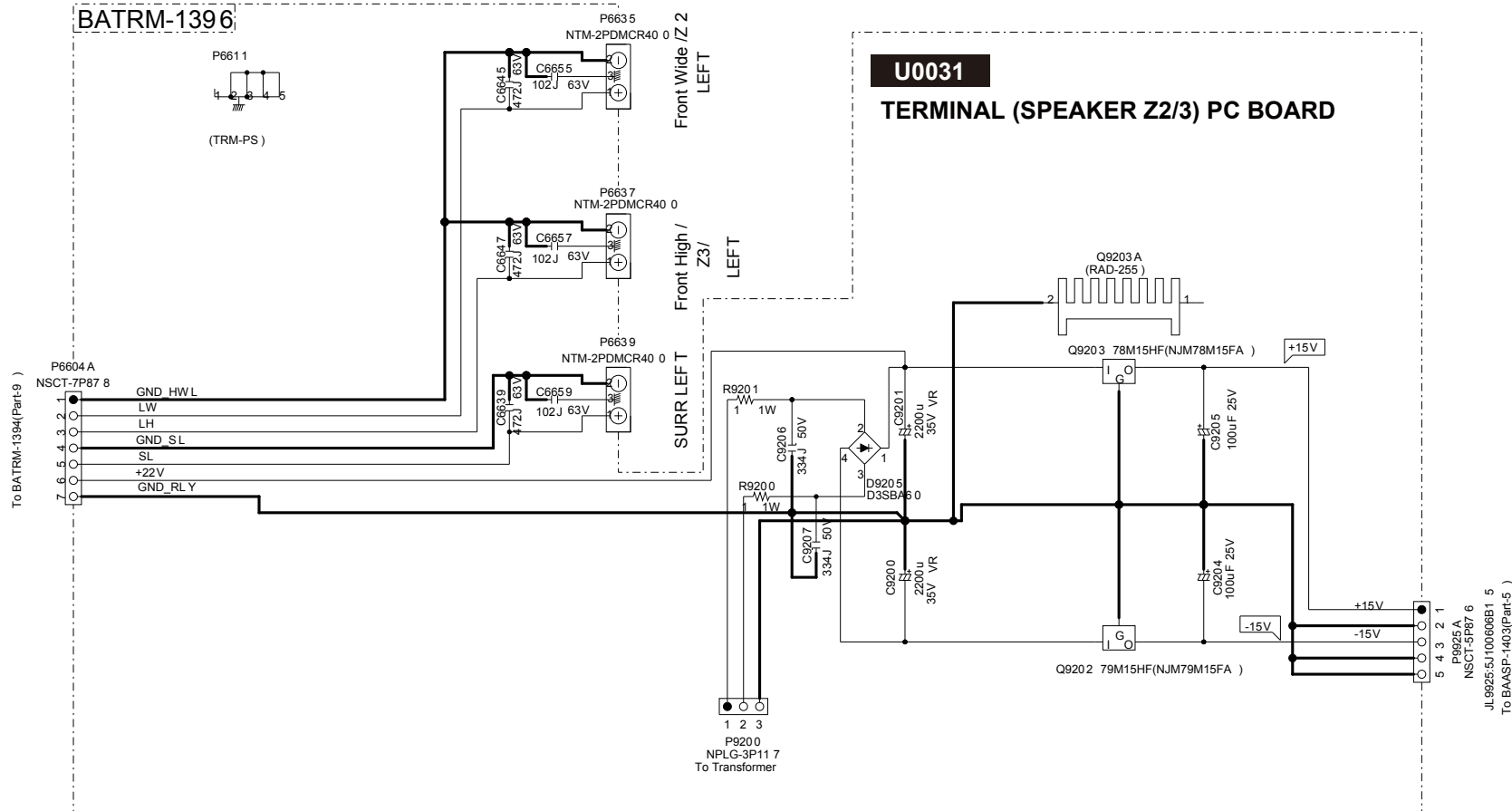
BATRM-1394 U0030 TERMINAL (SPEAKER) PC BOARD



SCHEMATIC DIAGRAMS-09-2(PART-9-2)

POWER SUPPLY SECTION

Model No. TX-NR929,DTR-60.5 SCHEMATIC DIAGRAM (PART-9)
SP Terminal & Power Supply SECTION



- △印は火災、感電の危険に関与する部品の為、必ず指定部品を使用の事。
 ・電圧表示は無信号時に測定した直流電圧を示す。
 (単位V、入力抵抗100KΩ以上の電圧計)
 ・記入無き電界コンデンサ()の単位はμFWVである。
 ・記入無きコンデンサの単位はpF/50Vである。
 例 030→3pF 330→33pF 331→330pF 333→0.033μF
 ・PwV表示のシンボル図において、太線は部品名印刷側である。
 例 印刷側
 ・本配線図は基本配線図につき性能改善等により予告なく変更する事がある。

SCHEMATIC DIAGRAMS-09-3(PART-9-3)

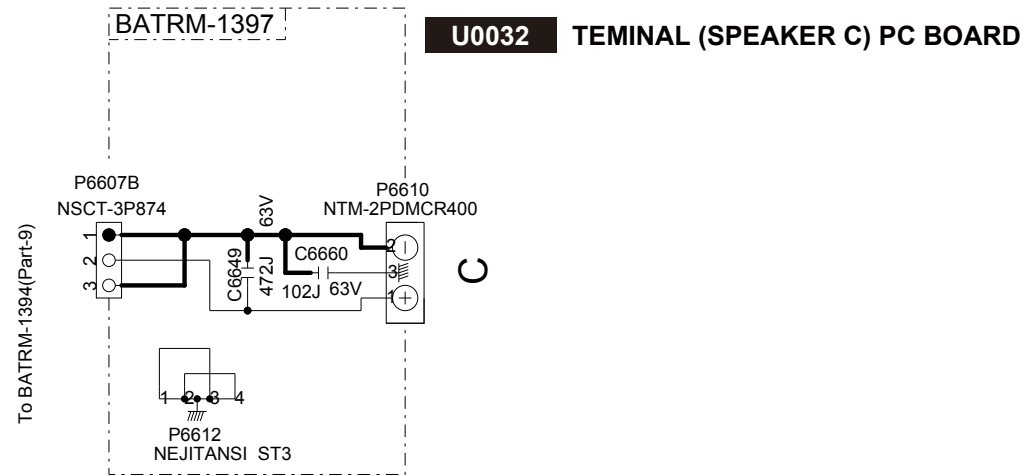
SPEAKER TERMINAL(CENTER) SECTION

1

Model No. TX-NR929,DTR-60.5 SCHEMATIC DIAGRAM (PART-9)
SP Terminal SECTION

2

P6607:3J150606B15



3

4

- △印は火災、感電の危険に関与する部品の為、必ず指定部品を使用の事。
 - 電圧表示は無信号時に測定した直流電圧を示す。
(単位V、入力抵抗100kΩ以上の電圧計)
 - 記入無き電界コンデンサ () の単位はμF/MVである。
 - 記入無きコンデンサの単位はpF/50WVである。
- 例 030 → 3pF 330 → 33pF 331 → 330pF 333 → 0.033 μF
- PWB表示のシンボル図において、太線は部品名印刷側である。
- 例 印刷側
- 本配線図は基本配線図につき性能改善等により予告なく変更する事がある。

SCHEMATIC DIAGRAMS-09-4(PART-9-4) POWER SUPPLY(PRI) SECTION

MODEL NO. TX-NR929,DTR-60.5 SCHEMATIC DIAGRAM (PART-9) PS SECTION

THE COMPONENTS IDENTIFIED MARK ARE CRITICAL FOR SAFETY, REPLACE ONLY WITH PART NUMBER SPECIFIED.
VOLTAGE (MEASURED WITH VOLTMETER) IS DC VOLTAGE. (NO INPUT SIGNAL)
ELECTRLYTIC CAPACITORS () ARE IN uF/WV.
ALL CAPACITORS ARE IN pF/50WV UNLESS OTHERWISE NOTED.
EX) 030 -> 3pF, 330 -> 33pF, 331 -> 330pF, 333 -> 0.033uF
CIRCUIT IS SUBJECT TO CHANGE FOR IMPROVEMENT.

印は火災、感電の危険に関与する部品の為、必ず指定部品を使用の事。
電圧表示は無信号時に測定した直流電圧を示す。
記入なき電解コンデンサの単位はuF/WVである。
記入なきコンデンサの単位はpF/WVである。
例) 030 -> 3pF, 330 -> 33pF, 331 -> 330pF, 333 -> 0.033uF
本配線図は基本配線図につき性能改善等により予告なく変更する事がある。

CAUTION
FOR CONTINUED PROTECTION AGAINST FIRE HAZARD,
REPLACE ONLY WITH FUSE OF SAME TYPE AND RATING INDICATED.

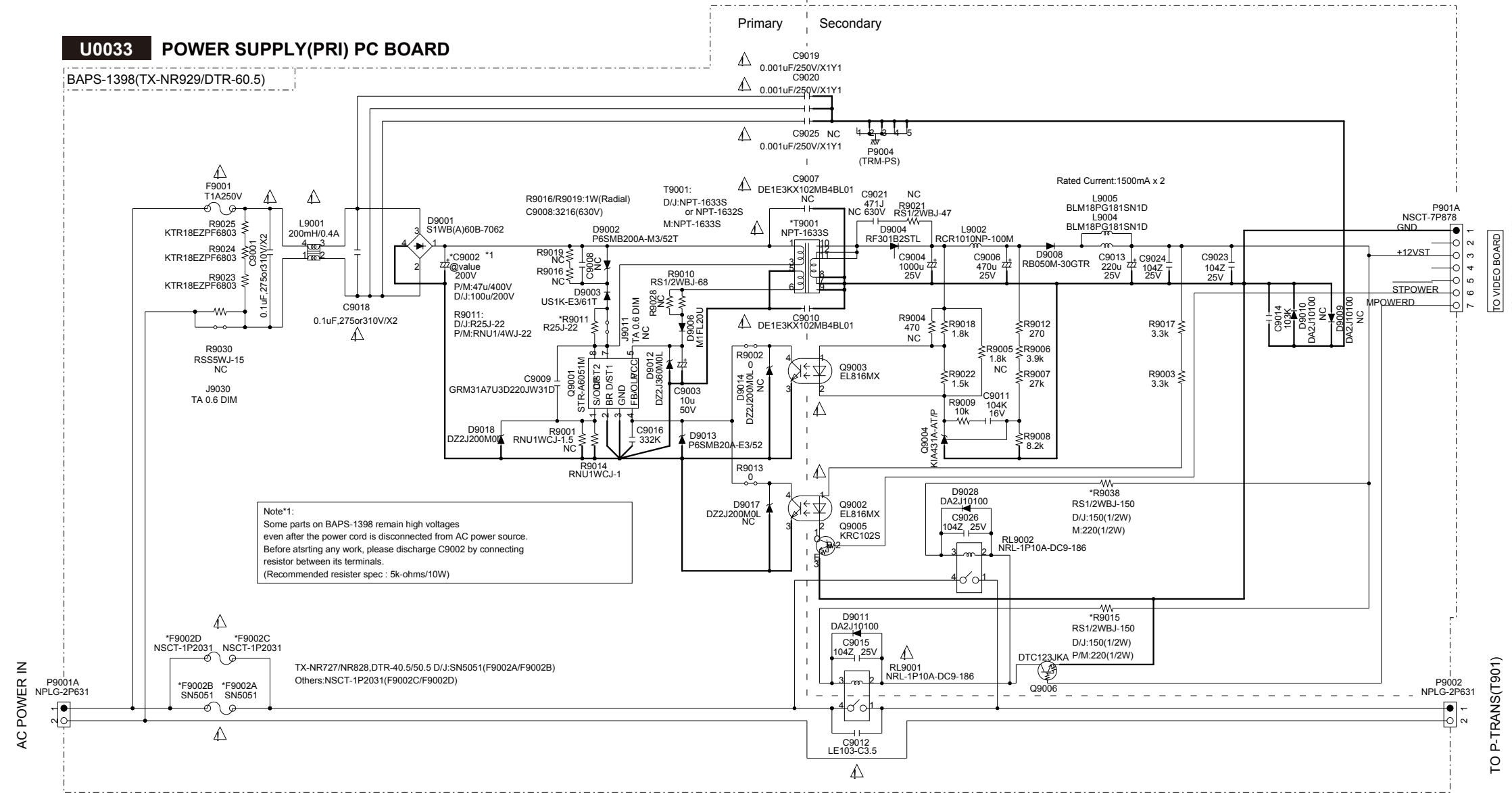
ATTENTION
AFIN D'ASSURER UNE PROTECTION PERMANENTE CONTRE LES RISQUES D'INCENDIE,
REMPLACER UNIQUEMENT PAR UN FUSIBLE DE MEME TYPE ET CALIBRATION COMME INDIQUE.

THIS SYMBOL LOCATED NEAR THE FUSE INDICATES THAT THE FUSE USED IS SLOW OPERATING TYPE FOR CONTINUED PROTECTION AGAINST FIRE FUSE HAZARD, REPLACE WITH SAME TYPE FUSE. RATING REFER TO THE MAKING ADJACENT TO THE SYMBOL.

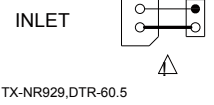
CE SYMBOLE INDIQUE QUE LE FUSIBLE UTILISE EST A LENT, E POUR UNEPROTECTION PERMANENT, N'UTILISER QUE DES FUSIBLES DE MEME TYPE. CE DARNIER EST INDIQUE LA QU LE PRESENT SYMBOL EST APPOSE.

U0033 POWER SUPPLY(PRI) PC BOARD

BAPS-1398(TX-NR929/DTR-60.5)



Note*1:
Some parts on BAPS-1398 remain high voltages even after the power cord is disconnected from AC power source. Before arsting any work, please discharge C9002 by connecting resistor between its terminals. (Recommended resister spec : 5k-ohms/10W)

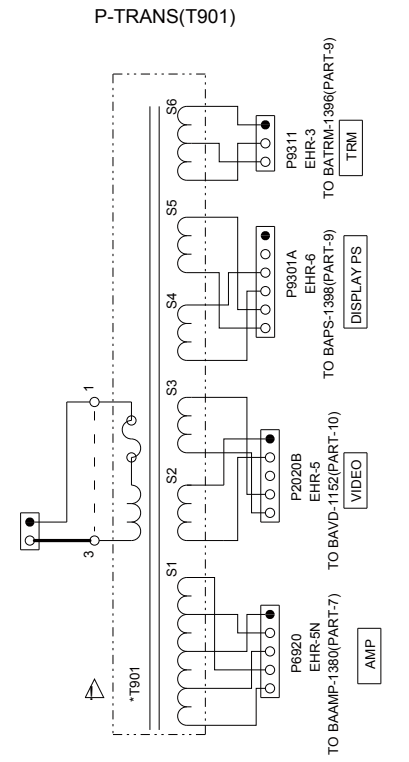


CODE	MODEL
T9	TX-NR929
D6	DTR-60.5

TYPE	AC	
	T5	T6
D	120Vac/60Hz	120 250V
M	220-240Vac/50-60Hz	6.3A 250V
J	100Vac/50-60Hz	15A 250V

F9002 Rating		
TYPE	T5	T6
D	12A 250V	12A 250V
M	6.3A 250V	6.3A 250V
J	15A 250V	15A 250V

T901 Rating		
TYPE	T5	T6
D	NPT-1593D	NPT-1593D
M	NPT-1593M	NPT-1593M
J	NPT-1593M	NPT-1593M



A

B

C

D

E

SCHEMATIC DIAGRAMS-09-5(PART-9-5)

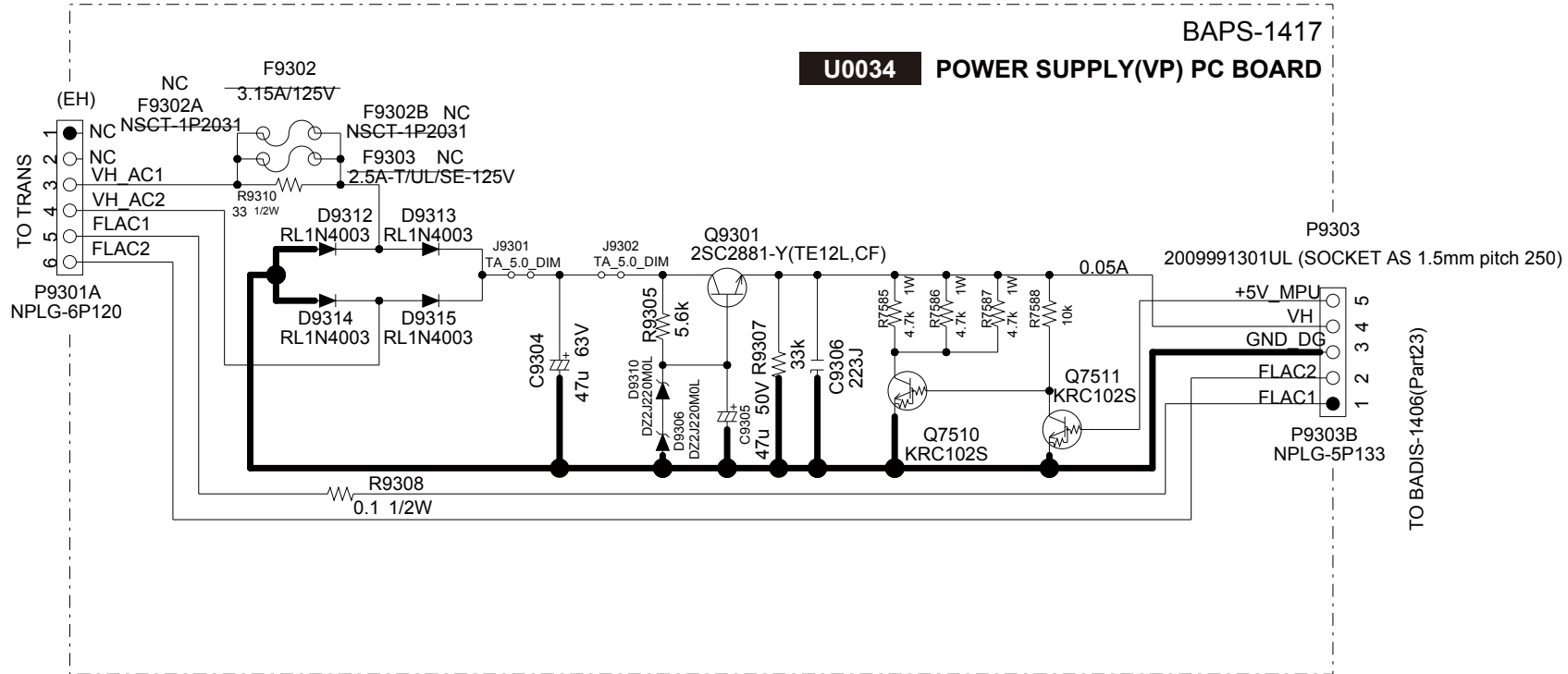
POWER SUPPLY(FL) SECTION

1

Model No.TX-NR929/DTR-60.5

SCHEMATIC DIAGRAM (PART-9) FL POWER SUPPLY SECTION

2



3

4

SCHEMATIC DIAGRAMS-10(PART-10)
ANALOG VIDEO SECTION

MODEL No. TX-NR929,DTR-60.5,DHC-60.5 SCHEMATIC DIAGRAM (PART-10)
ANALOG VIDEO SECTION

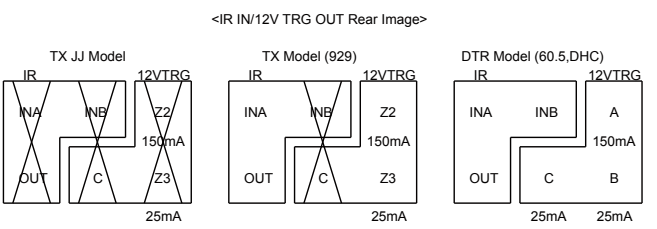


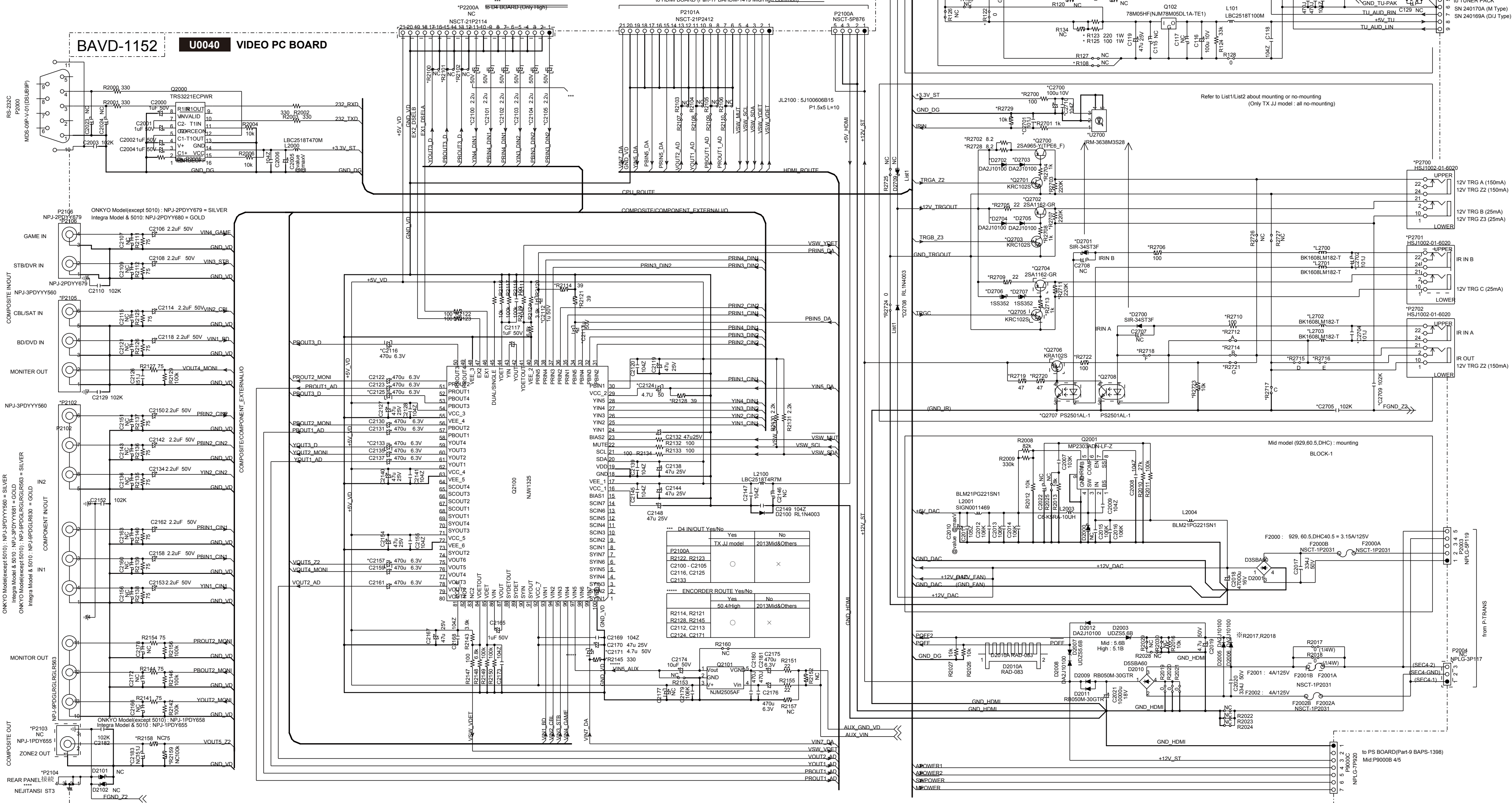
Table with columns for Block, Mid, High, and Z2 OUT Yes/No. Includes rows for BLOCK-1, P2003, P2004, F2001-F2001A/B, R2017-R2021, R2022-R2024, D2003(D5.8B), D2003(D5.1B), P2103, P2104, C2157, C2182, C2183, R2158, P2104, C2184, P2104.

List 1: Table with columns for TX JJ Model, Mid(except JJ), High(except JJ). Rows include D2708, R2724, D2709, R2725.

List 2: Table with columns for TRG A/B(Z2/Z3), 929, 929(except J), 60.5,DHC. Rows include P2700, D2700, D2701, D2702, D2703, D2704, D2705, C2709, D2701, D2702, D2703, L2702, L2703, R2710, C2704, C2705, C2707.

List 3: Table with columns for IRIN B, TRG C, IRIN A, IR OUT. Rows include L2700, R2700, R2701, R2729, C2700, C2701, C2710, P2701, L2700, L2701, D2704, D2708, R2706, R2709, R2711, R2713, R2719, R2720, R2722, R2723, C2702, C2708, D2701, D2706, D2707, P2702, L2702, L2703, R2710, C2704, C2705, C2707, D2709, R2712, R2714, P2601C, C2717, D2715, E2718, F2719, G2721, R2728, R2727.

Table with columns for R122, R123, R125, P2601C, R135, R108, P4002C. Rows include R122, R123, R125, P2601C, R135, R108, P4002C.



REAR PANEL

to PS BOARD

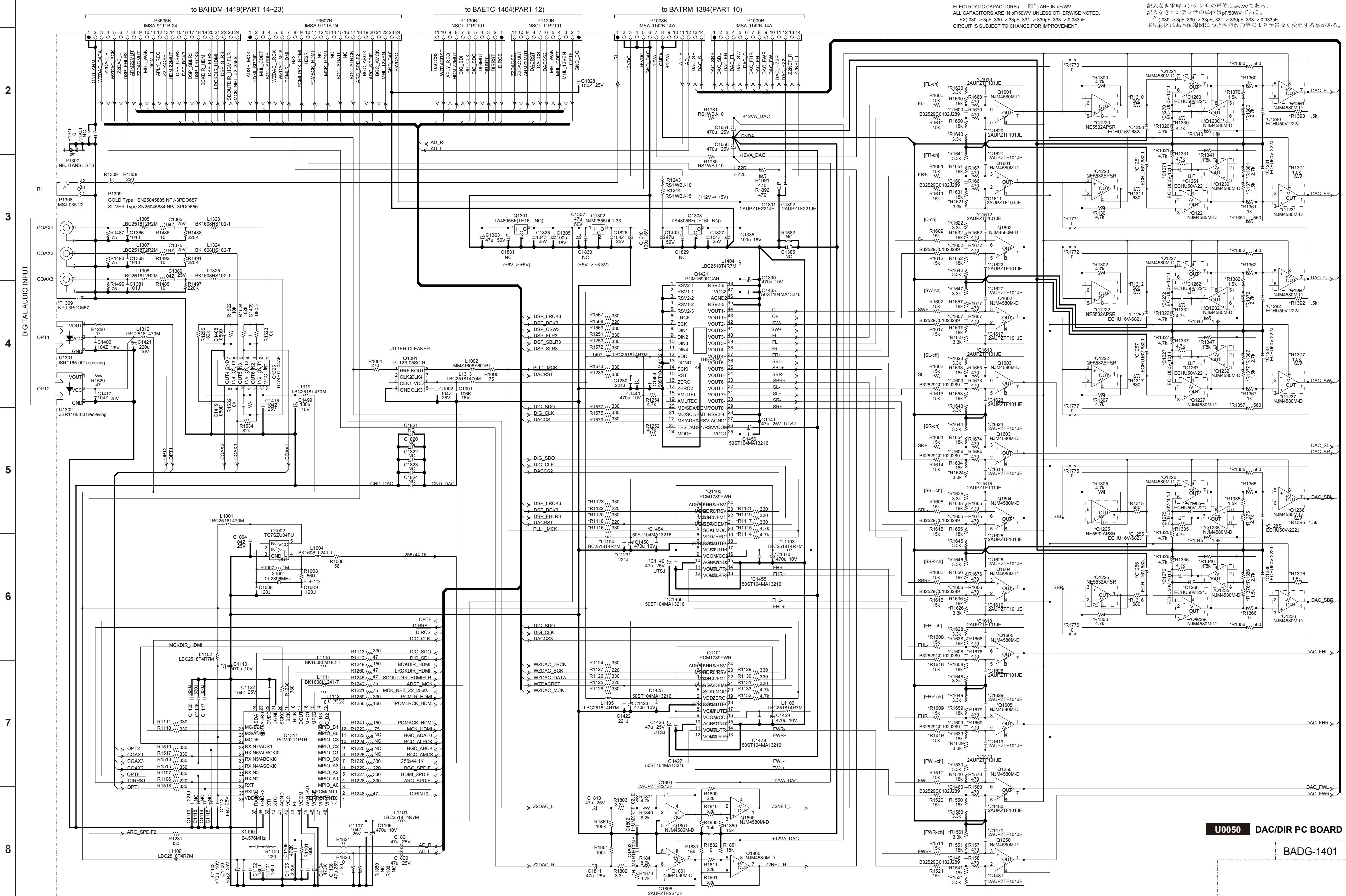
SCHEMATIC DIAGRAMS-12-1(PART-12-1)
ADC/DAC/DIR/VLSC2 SECTION

MODEL No. TX-NR929,DTR-60.5,DHC-60.5 SCHEMATIC DIAGRAM (PART-12)

ADC/DAC/DIR/VLSC2 SECTION

ELECTRILYIC CAPACITORS (一) ARE IN uF/WV.
ALL CAPACITORS ARE IN pF/50V UNLESS OTHERWISE NOTED.
EX) 030 -> 3pF, 330 -> 33pF, 331 -> 330pF, 333 -> 0.033uF
CIRCUIT IS SUBJECT TO CHANGE FOR IMPROVEMENT.

記入なき電解コンデンサの単位はuF/WVである。
記入なきコンデンサの単位はpF/50Vである。
例) 030 -> 3pF, 330 -> 33pF, 331 -> 330pF, 333 -> 0.033uF
本配線図は基本配線図につき性能改善等により予告なく変更する事がある。



U0050 DAC/DIR PC BOARD
BADG-1401

A

B

C

D

E

SCHEMATIC DIAGRAMS-12-2(PART-12-2)

CONNECTION BOARD SECTION

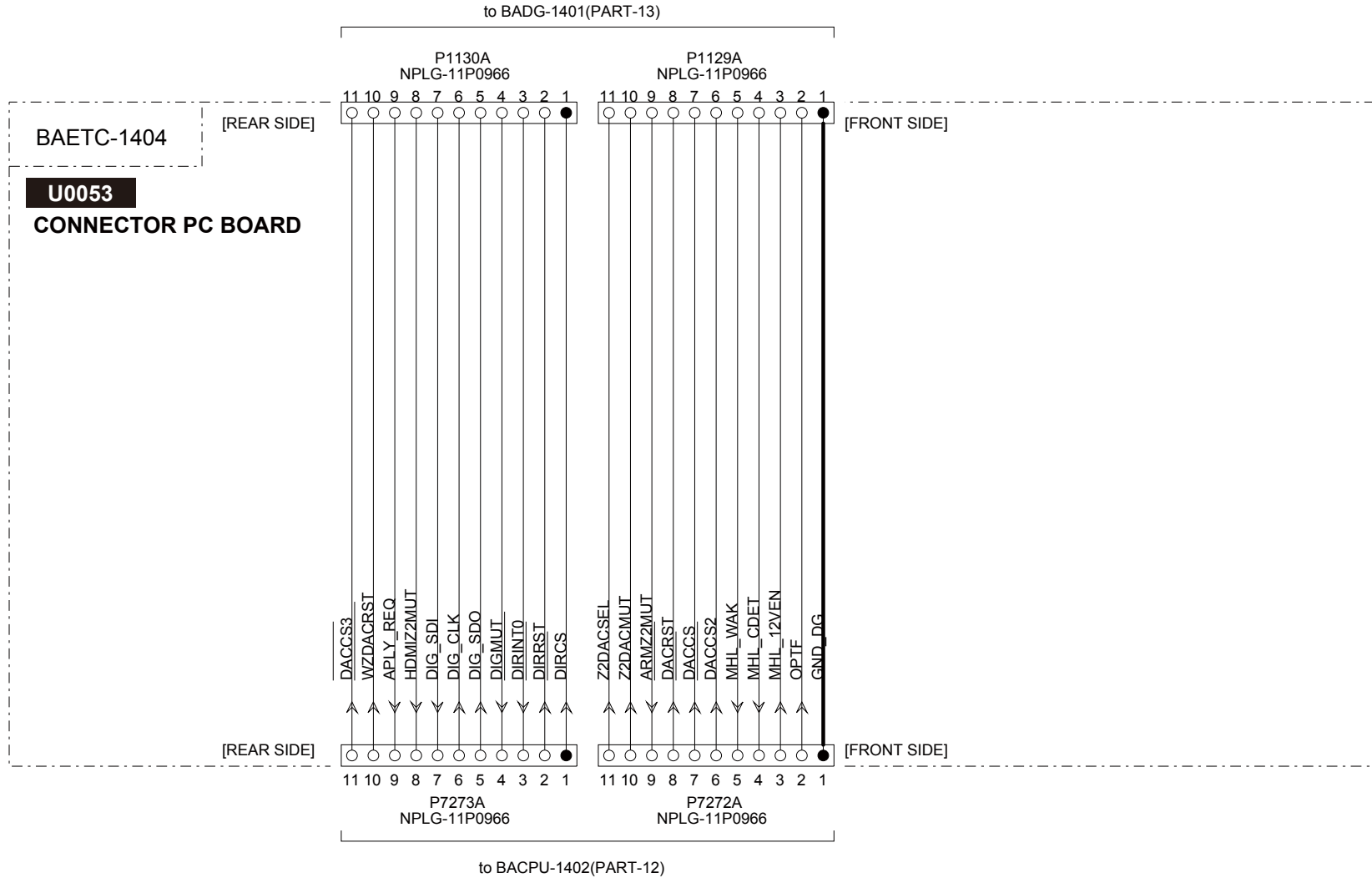
1

MODEL No. TX-NR929,DTR-60.5,DHC-60.5 SCHEMATIC DIAGRAM(PART-12) CONNECTION BOARD SECTION

2

3

4



A

B

C

D

E

SCHEMATIC DIAGRAMS-12-3(PART-12-3)

D-SUB 15PIN(PC-IN) SECTION

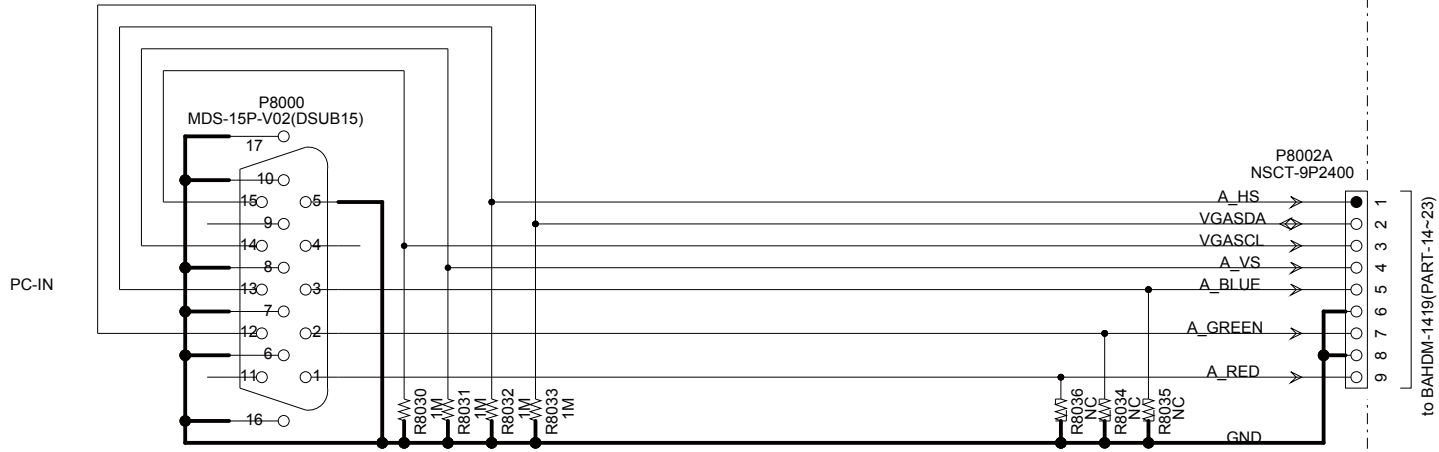
1

MODEL No. TX-NR929,DTR-60.5,DHC-60.5 SCHEMATIC DIAGRAM(PART-12) D-SUB 15PIN(PC-IN) SECTION

BAETC-1405

U0054 TERMINAL(RGB) PC BOARD

2

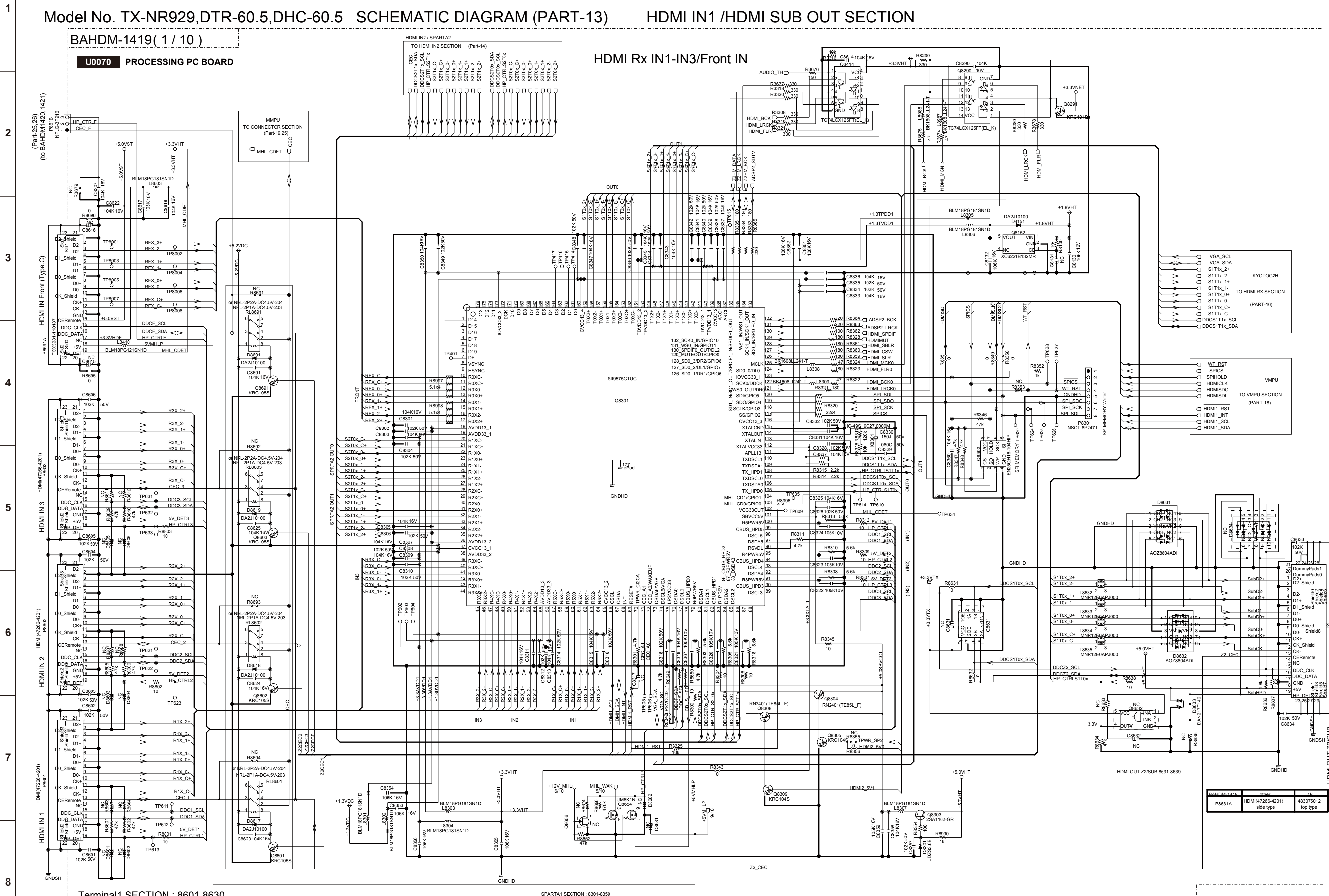


3

4

SCHEMATIC DIAGRAMS-13(PART-13)
HDMI IN1 /HDMI SUB OUT SECTION

Model No. TX-NR929,DTR-60.5,DHC-60.5 SCHEMATIC DIAGRAM (PART-13) HDMI IN1 /HDMI SUB OUT SECTION



Terminal1 SECTION : 8601-8630

SPART1 SECTION : 8301-8359

BAHDM-1419	others	1R
P8631A	HDMI(47266-4201)	483075012
	side type	top type

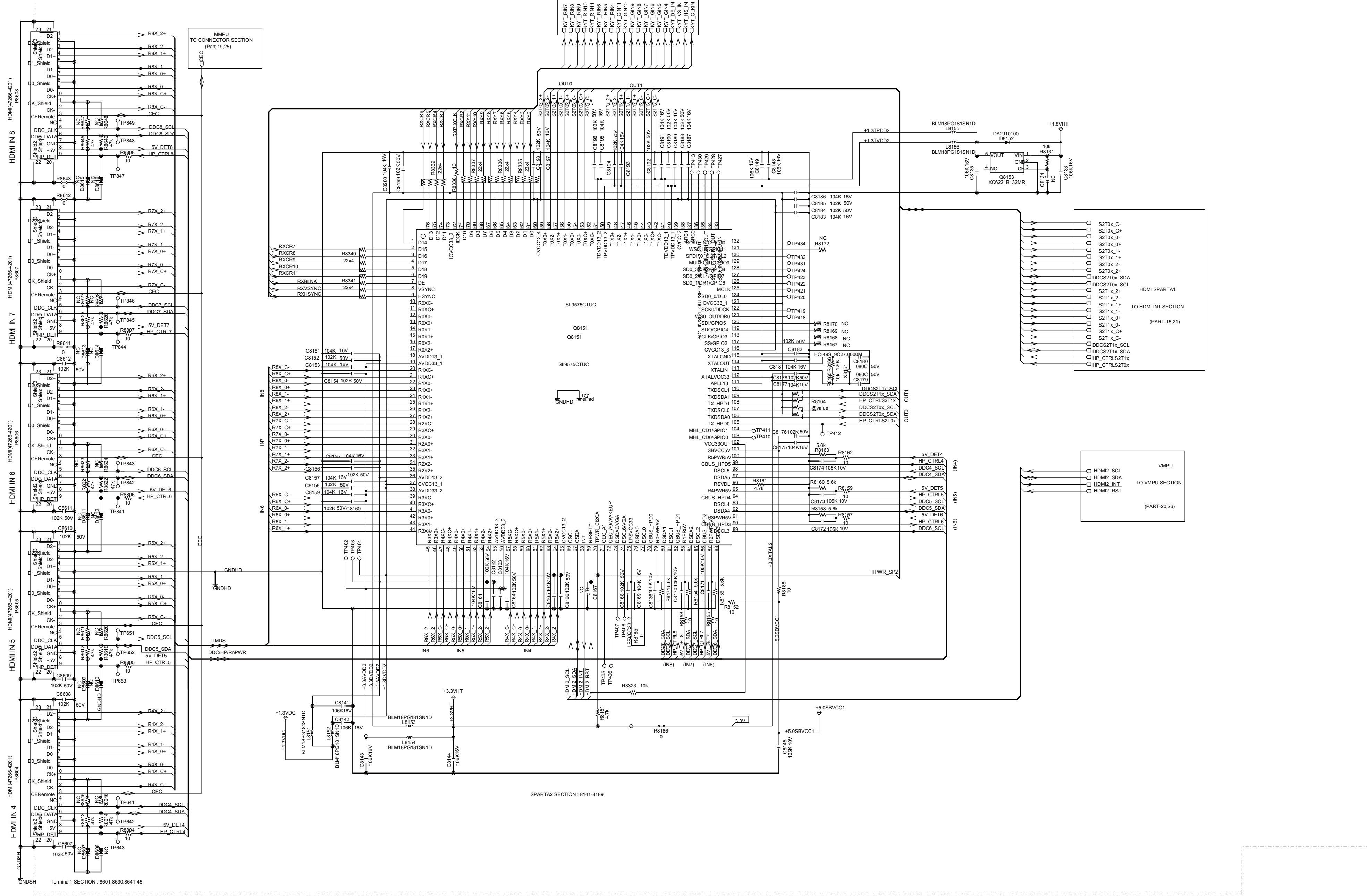
SCHEMATIC DIAGRAMS-14(PART-14)
HDMI IN 2 SECTION

Model No. TX-NR929,DTR-60.5,DHC-60.5 SCHEMATIC DIAGRAM (PART-14) HDMI IN 2 SECTION

BAHDM-1419(2 / 10)

U0070 PROCESSING PC BOARD

ENCODER PART
PART-20 or 26

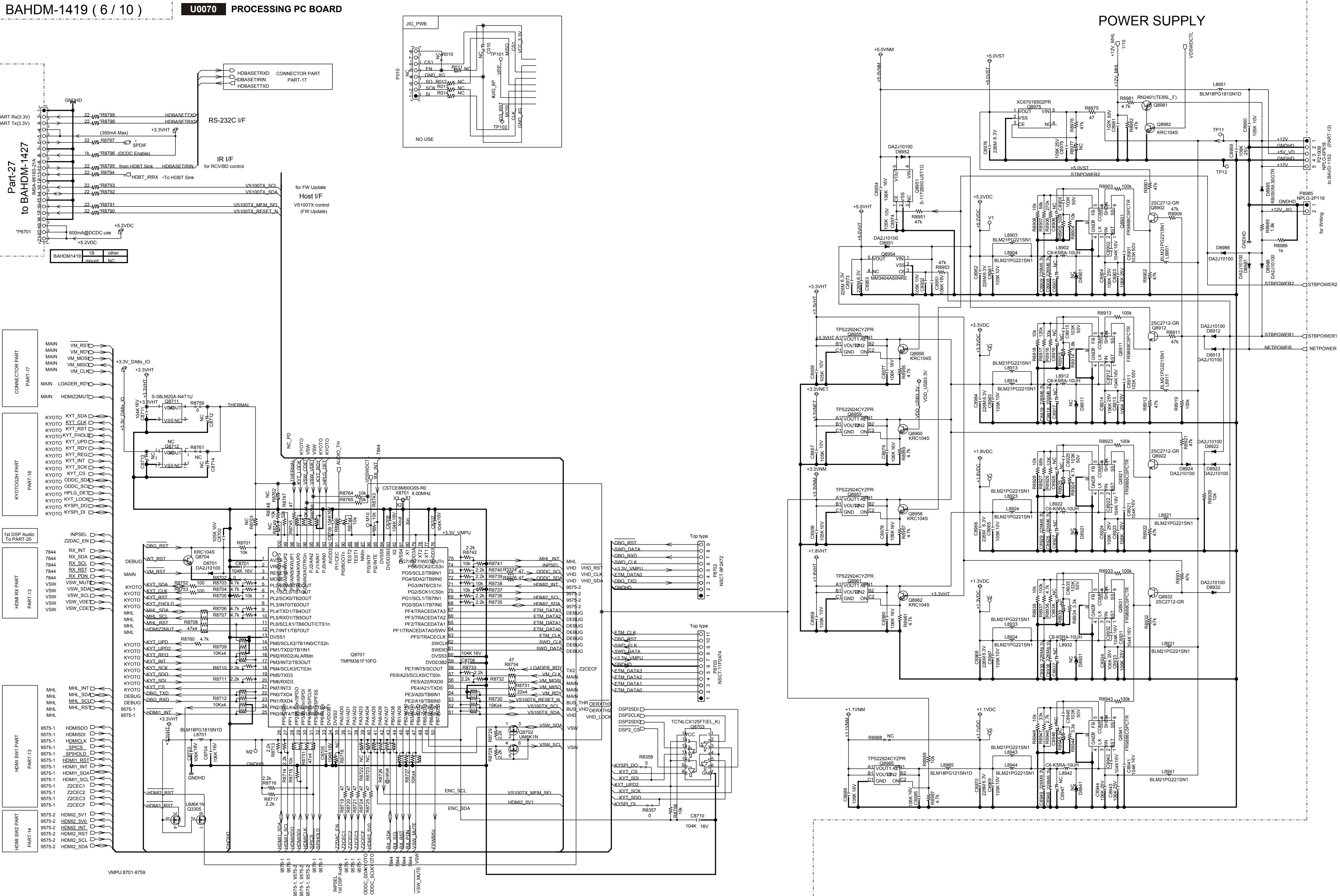


SPART2 SECTION : 8141-8189

Terminal1 SECTION : 8601-8630,8641-845

SCHEMATIC DIAGRAMS-18(PART-18)
VMPU/ENCODER/POWER SUPPLY SECTION

Model No. TX-NR929,DTR-60.5,DHC-60.5 SCHEMATIC DIAGRAM (PART-18) VMPU/POWER SUPPLY SECTION

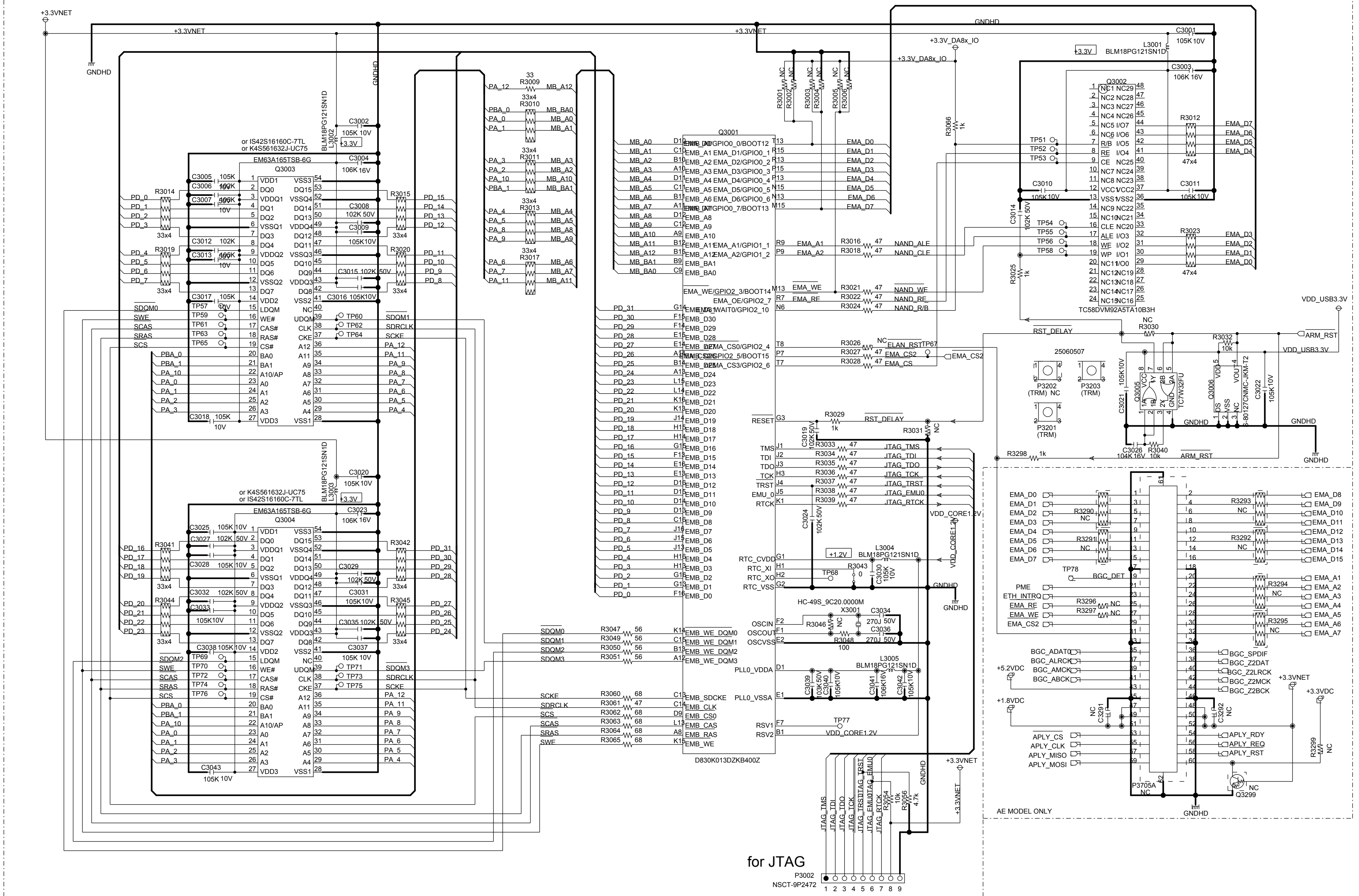


SCHMATIC DIAGRAMS-19(PART-19)
1stDSP Memory Section

Model No.TX-NR929,DTR-60.5,DHC-60.5 SCHEMATIC DIAGRAM (PART-19) 1stDSP Memory Section

BAHDM-1419(7 / 10.) U0070 PROCESSING PC BOARD

1
2
3
4
5
6
7
8



for JTAG
P3002 NSCT-9P2472
1 2 3 4 5 6 7 8 9

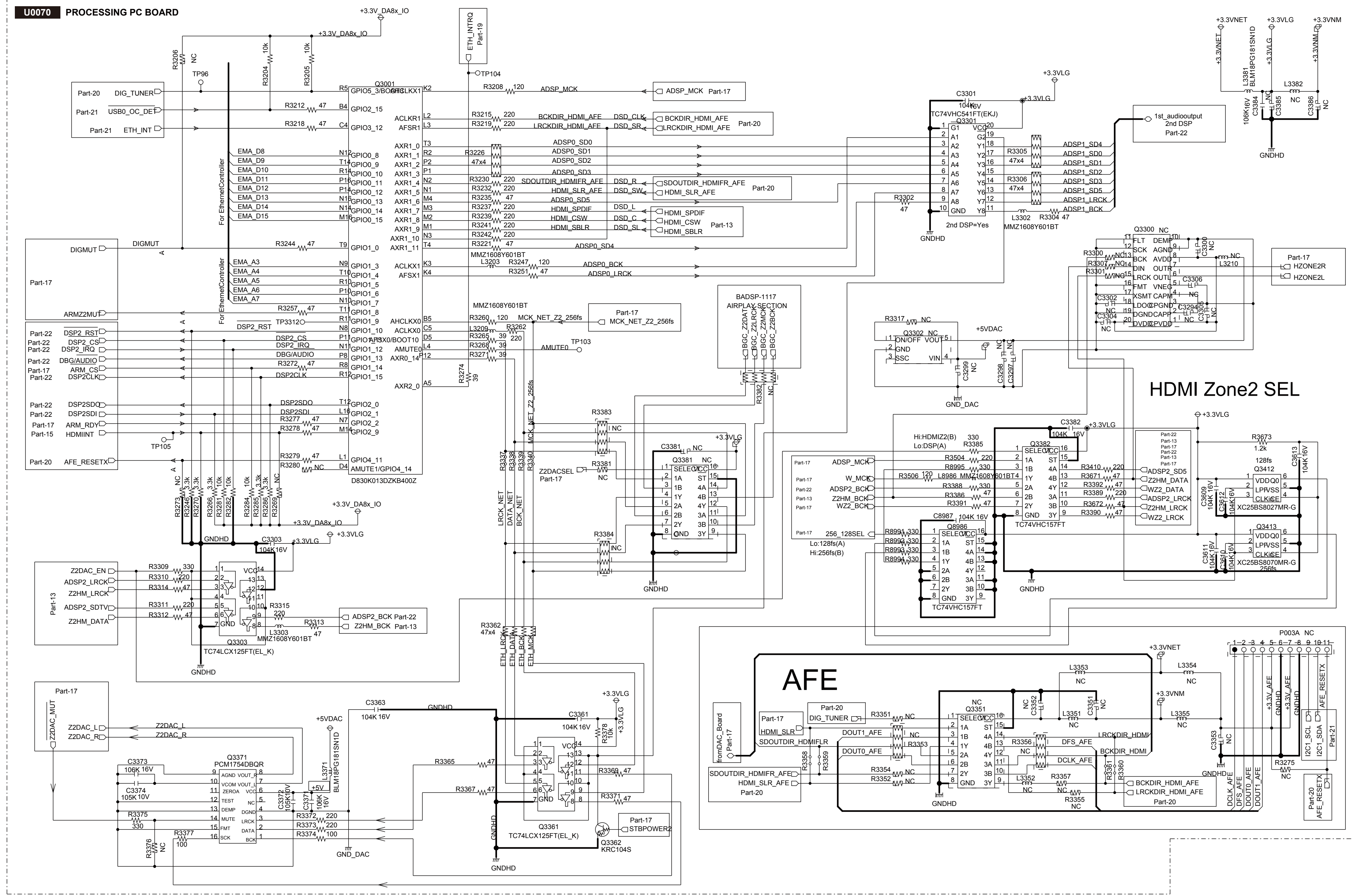
SCHEMATIC DIAGRAMS-20(PART-20)
DSP/Audio/GPIO Section

Model No. TX-NR929,DTR-60.5,DHC-60.5 SCHEMATIC DIAGRAM (PART-20)

BAHDM-1419(8 / 10)

DSP/Audio/GPIO Section

U0070 PROCESSING PC BOARD



SCHEMATIC DIAGRAMS-21(PART-21)
Ethernet/USB/GPIO Section

Model No. TX-NR929,DTR-60.5,DHC-60.5 SCHEMATIC DIAGRAM (PART-21) Ethernet/USB/GPIO Section

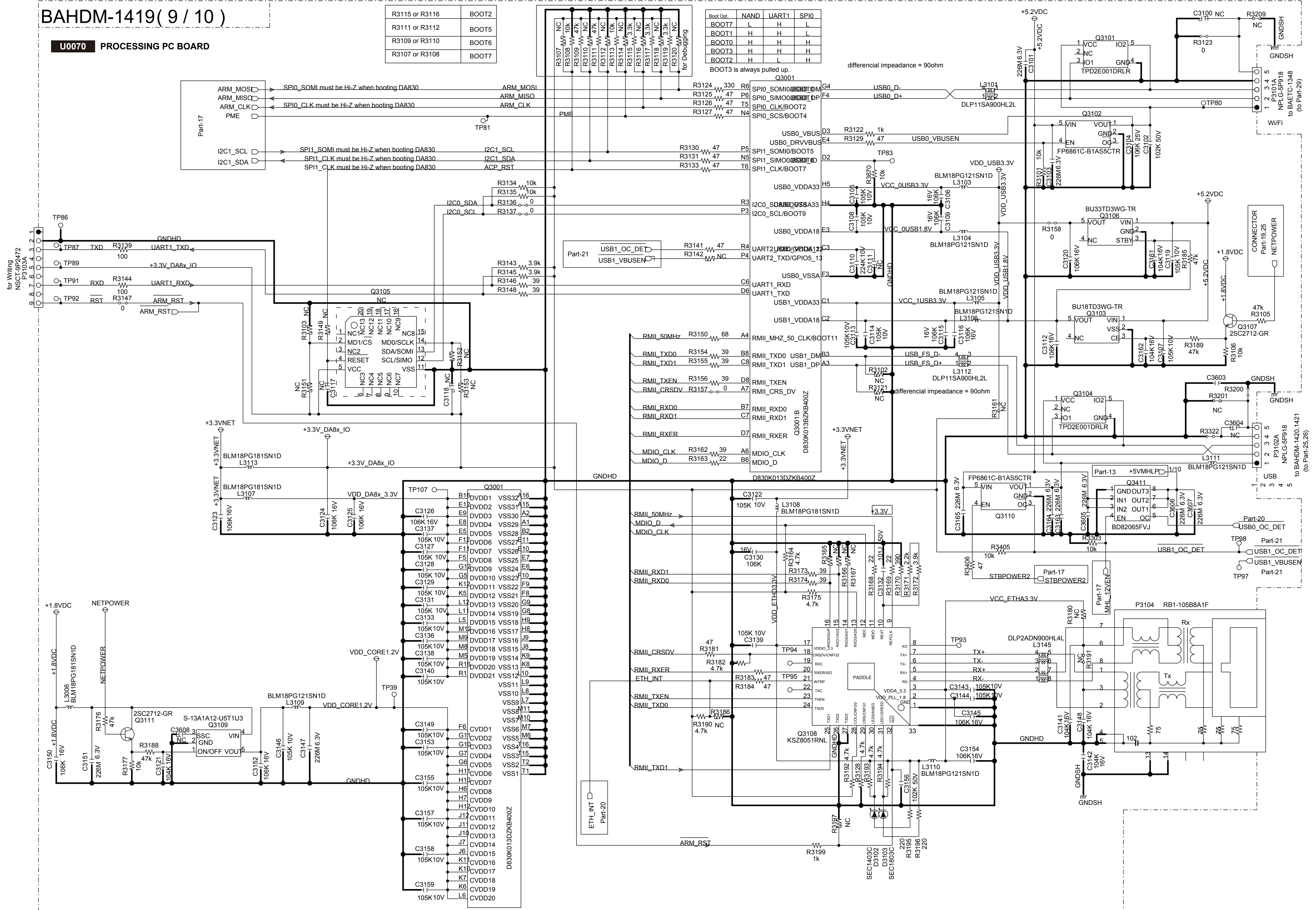
BAHDM-1419(9 / 10)

U0070 PROCESSING PC BOARD

R3115 or R3116	BOOT2
R3111 or R3112	BOOT5
R3109 or R3110	BOOT6
R3107 or R3108	BOOT7

Boot Opt.	NAND	UART1	SPI0
BOOT7	L	H	L
BOOT1	H	H	L
BOOT0	H	H	H
BOOT3	H	H	H
BOOT2	H	L	H

BOOT3 is always pulled up.



1
2
3
4
5
6
7
8

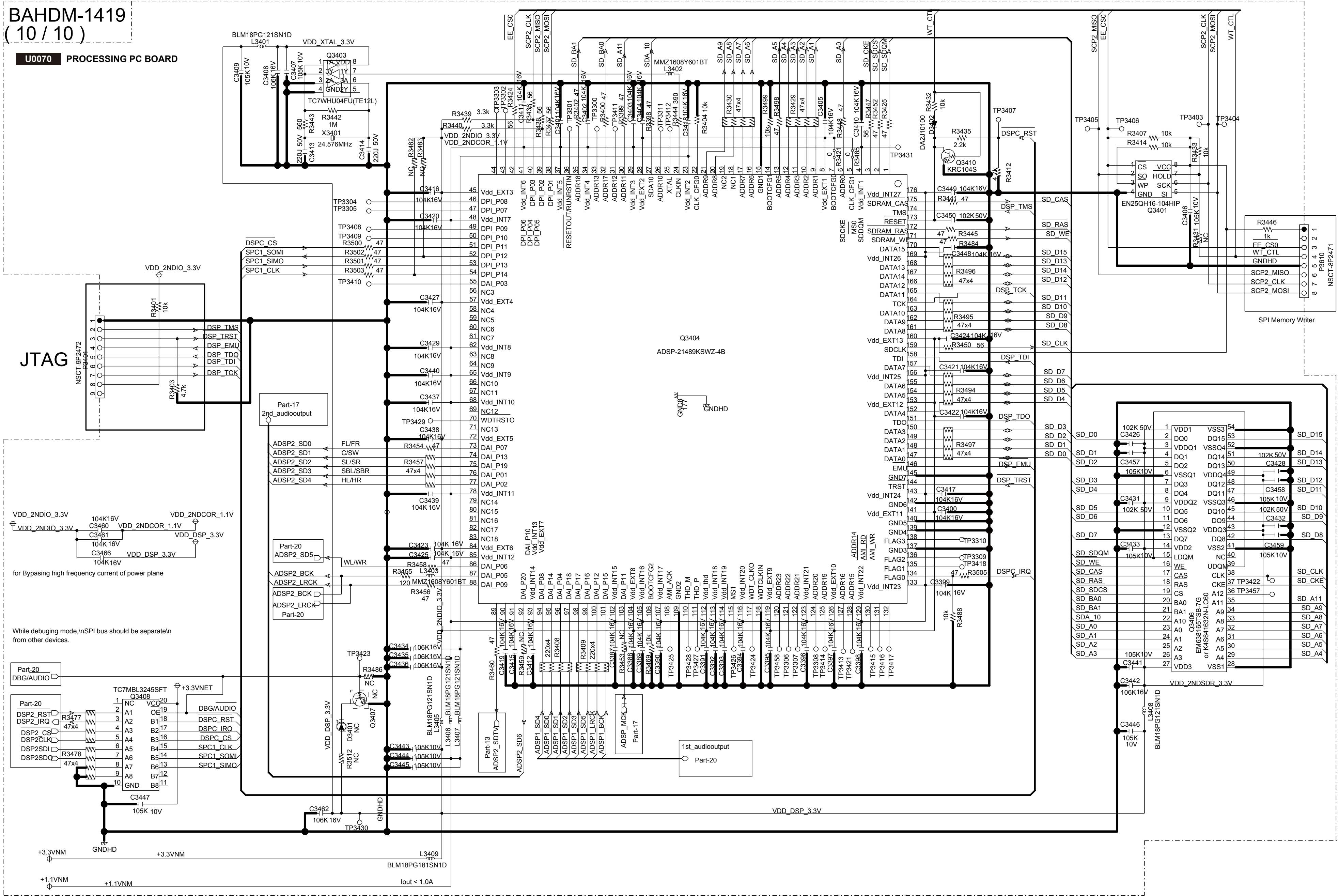
(to Part-29)
(to Part-26)
(to Part-25-26)

SCHEMATIC DIAGRAMS-22(PART-22)
2nd DSP SECTION

Model No. TX-NR929/DTR-60.5/DHC-60.5 SCHEMATIC DIAGRAM (PART-22) 2nd DSP SECTION

BAHDM-1419
(10 / 10)

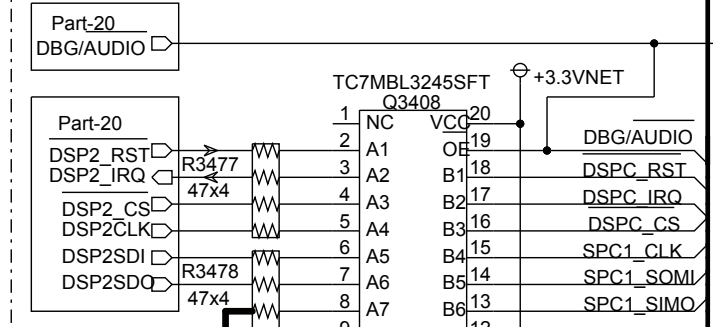
U0070 PROCESSING PC BOARD



JTAG

for Bypassing high frequency current of power plane

While debugging mode, nSPI bus should be separate from other devices.



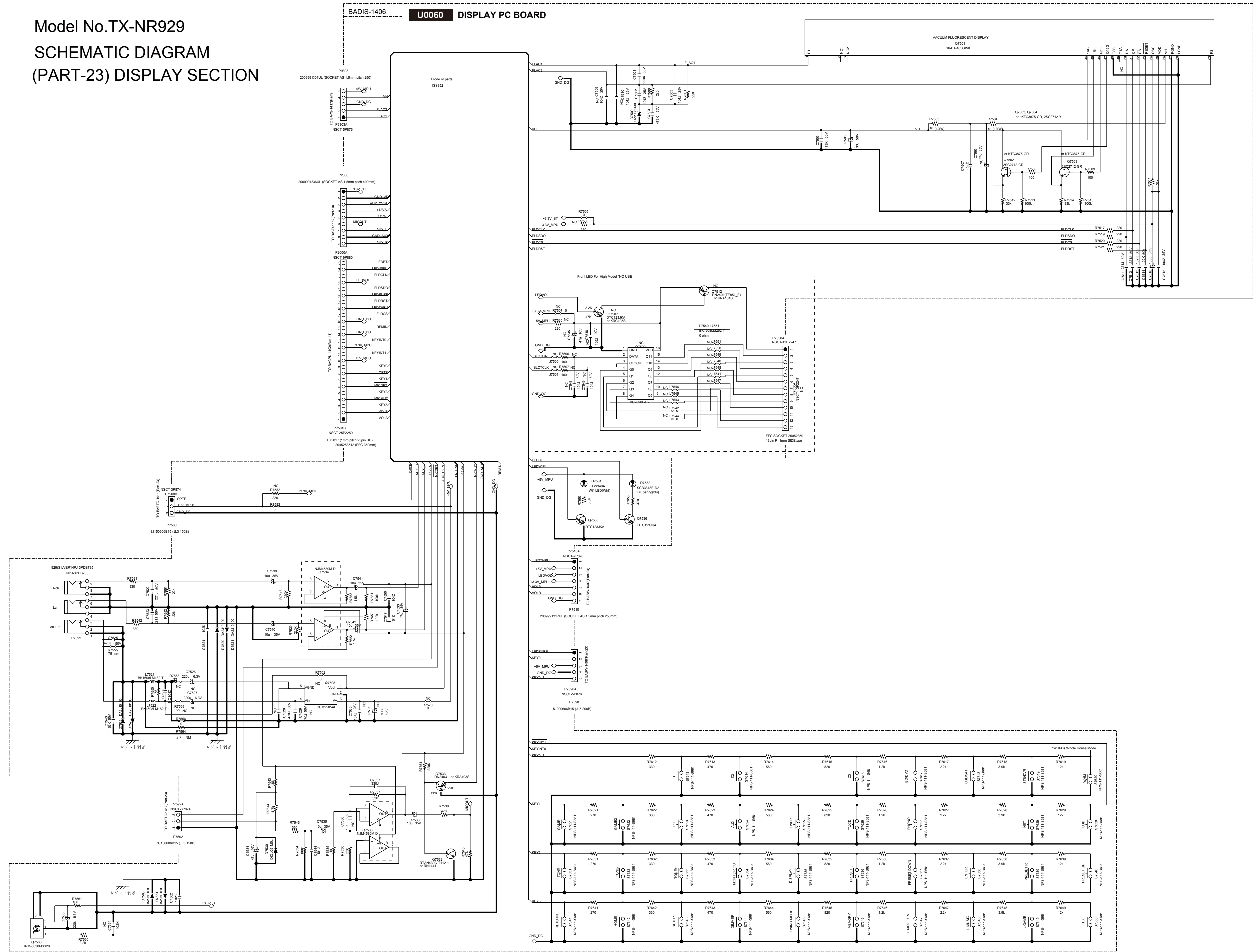
lout < 1.0A

SCHMATIC DIAGRAMS-23-1(PART-23-1) DISPLAY SECTION

Model No.TX-NR929
SCHEMATIC DIAGRAM
(PART-23) DISPLAY SECTION

BADIS-1406 U0060 DISPLAY PC BOARD

1
2
3
4
5
6
7
8



A B C D E

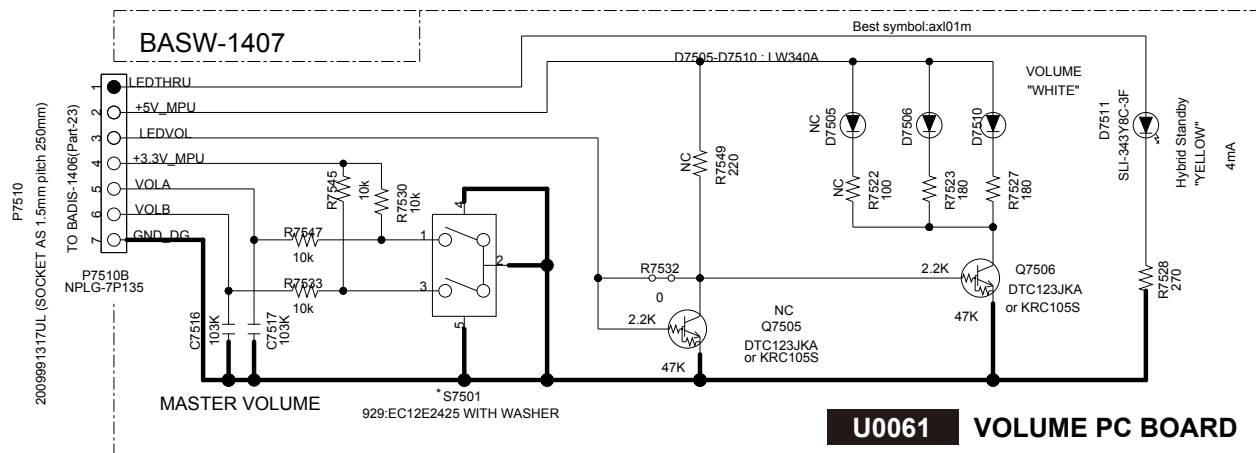
SCHEMATIC DIAGRAMS-23-2(PART-23-2)

VOLUME SECTION

1

Model No.TX-NR929
SCHEMATIC DIAGRAM (PART-23) DISPLAY VOLUME SECTION

2



3

4

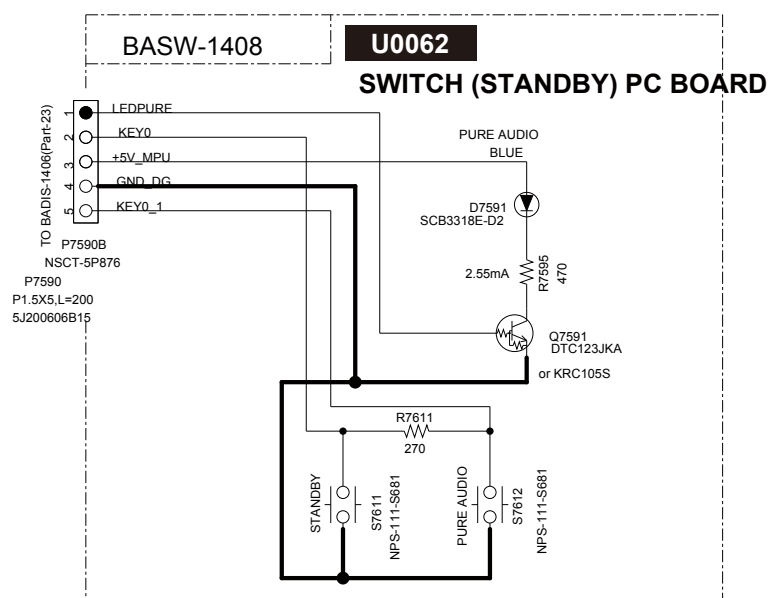
A B C D E

SCHEMATIC DIAGRAMS-23-3(PART-23-3)

PURE LED SECTION

Model No.TX-NR929

SCHEMATIC DIAGRAM (PART-23) PURE LED SECTION

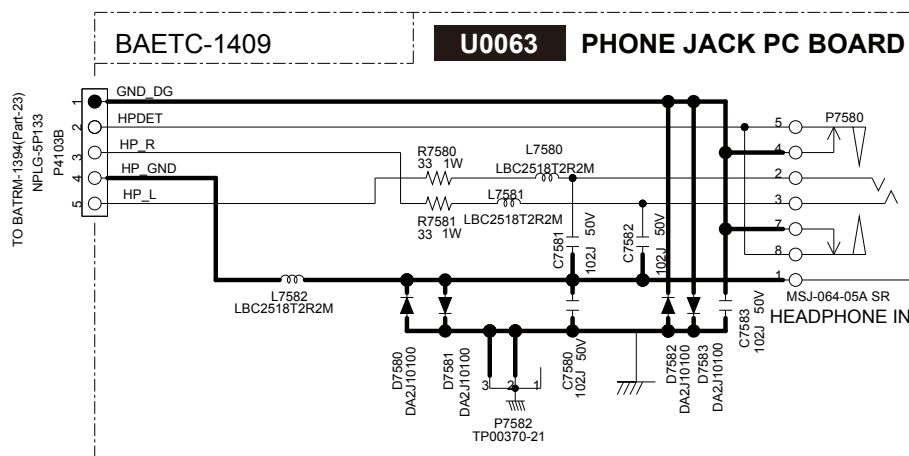


A B C D E

SCHEMATIC DIAGRAMS-23-4(PART-23-4)

PHONE JACK SECTION

Model No.TX-NR929
SCHEMATIC DIAGRAM (PART-23) HEAD PHONE SECTION



A

B

C

D

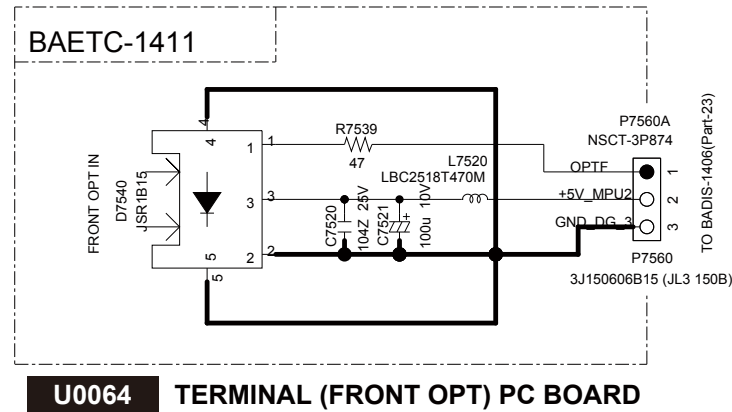
E

SCHEMATIC DIAGRAMS-23-5(PART-23-5)
FRONT OPT SECTION

1

Model No.TX-NR929
 SCHEMATIC DIAGRAM (PART-23) FRONT OPT SECTION

2



3

4

A

B

C

D

E

SCHEMATIC DIAGRAMS-23-6(PART-23-6)

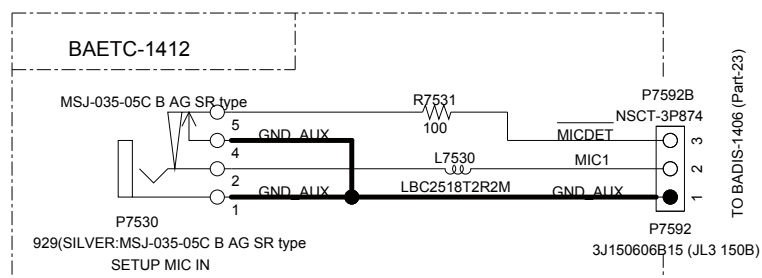
MIC JACK SECTION

1

2

Model No.TX-NR929

SCHEMATIC DIAGRAM (PART-23) MIC SECTION



U0065 MIC JACK (SETUP) PC BOARD

3

4

SCHEMATIC DIAGRAMS-25(PART-25)
FRONT HDMI AND USB SECTION

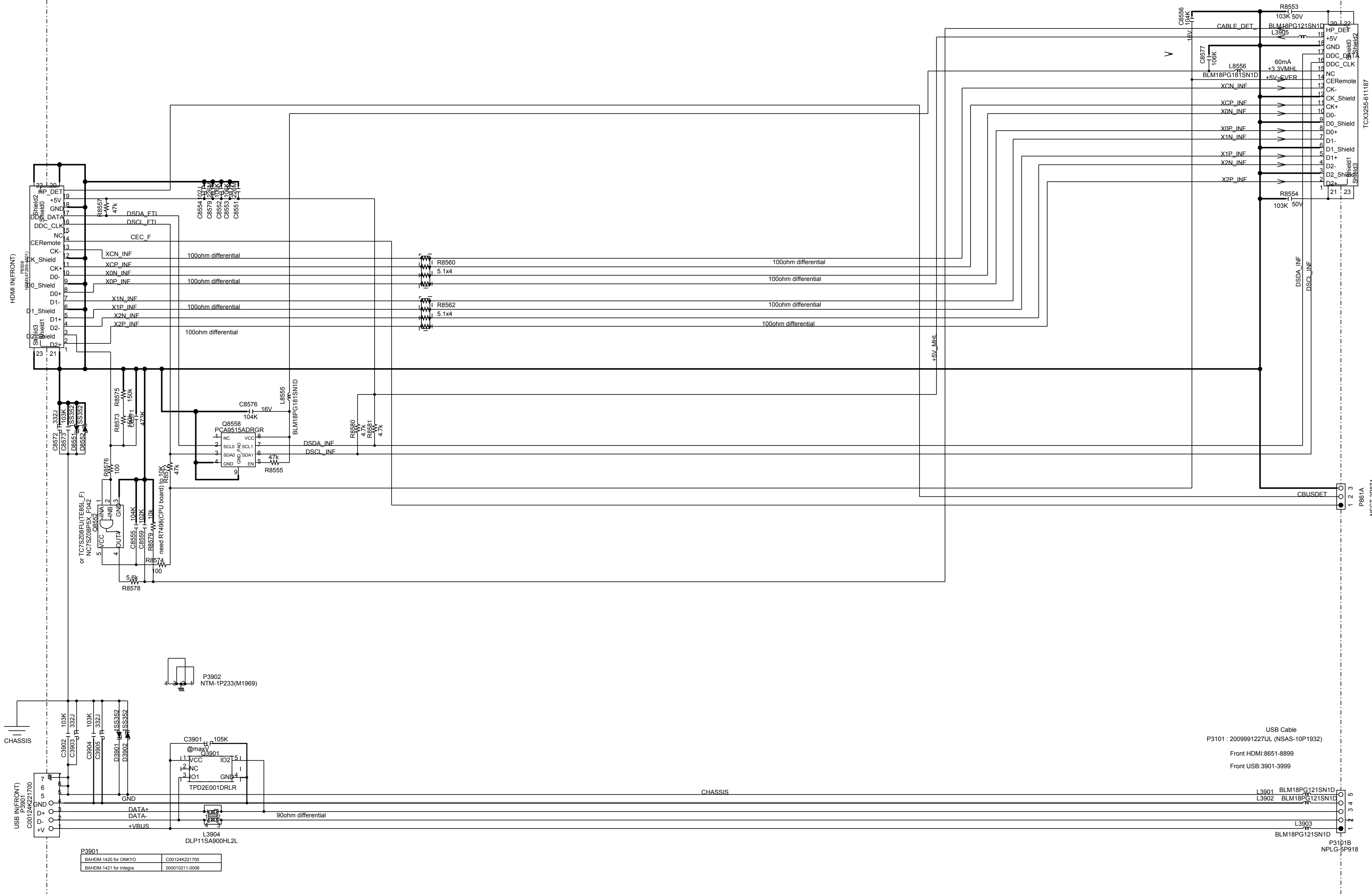
Model No. TX-NR929

SCHEMATIC DIAGRAM (PART-25)

FRONT HDMI AND USB SECTION

BAHDM-1420

U0080 TERMINAL (FRONT HDMI) PC BOARD



TO BCHDM-1419 (PART-13)

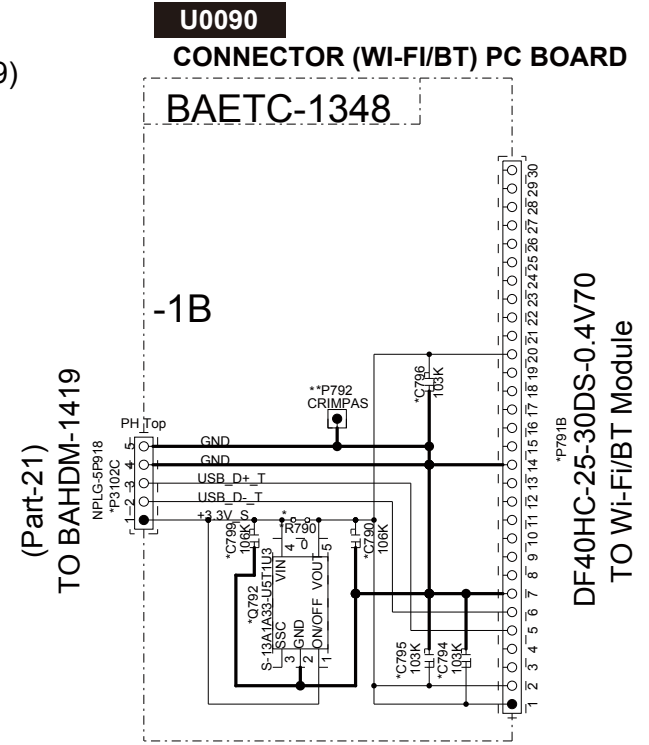
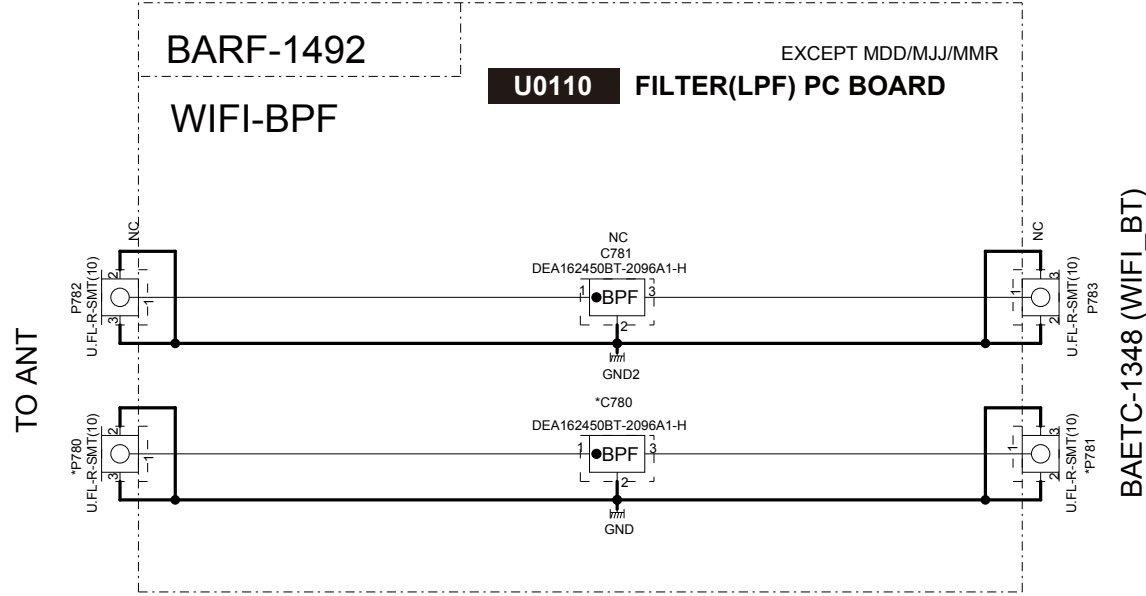
TO BCHDM-1419 (PART-15)

TO BCHDM-1419 (PART-21)

1
2
3
4
5
6
7
8

SCHEMATIC DIAGRAMS-29(PART-29)
Wi-Fi/ Bluetooth Connector Section

Model No. TX-NR929,DTR-60.5,DHC-60.5 SCHEMATIC DIAGRAM (PART-29)
 Wi-Fi/Bluetooth Module Section



TX-NR929(B)MDC

<Note>

Parts marked by "NSP" are generally unavailable because they are not in our Master Spare Parts List.

NOTE : THE COMPONENTS IDENTIFIED BY THE MARK ! ARE CRITICAL FOR RISK OF FIRE AND ELECTRIC SHOCK. REPLACE ONLY WITH PART NUMBER SPECIFIED.

<Notes>

(B) : Black color model

<MDC> : 120V,Canadian/USA/(Mexico) model

: NSP

TX-NR929(B)MDC

EXPLODED VIEW PARTS LIST

REF. NO.	PART NAME	DESCRIPTION	Q'TY	PART NO. (SN)	REMARKS
[SEMI CONDUCTOR]					
Q6050	TR	TTC0001(Q_T)TO3PN	1	2204130	
Q6051	TR	TTC0001(Q_T)TO3PN	1	2204130	
Q6052	TR	TTC0001(Q_T)TO3PN	1	2204130	
Q6053	TR	TTC0001(Q_T)TO3PN	1	2204130	
Q6054	TR	TTC0001(Q_T)TO3PN	1	2204130	
Q6055	TR	TTC0001(Q_T)TO3PN	1	2204130	
Q6056	TR	TTC0001(Q_T)TO3PN	1	2204130	
Q6057	TR	TTC0001(Q_T)TO3PN	1	2204130	
Q6058	TR	TTC0001(Q_T)TO3PN	1	2204130	
Q6060	TR	TTA0001(Q_T)TO3PN	1	2204120	
Q6061	TR	TTA0001(Q_T)TO3PN	1	2204120	
Q6062	TR	TTA0001(Q_T)TO3PN	1	2204120	
Q6063	TR	TTA0001(Q_T)TO3PN	1	2204120	
Q6064	TR	TTA0001(Q_T)TO3PN	1	2204120	
Q6065	TR	TTA0001(Q_T)TO3PN	1	2204120	
Q6066	TR	TTA0001(Q_T)TO3PN	1	2204120	
Q6067	TR	TTA0001(Q_T)TO3PN	1	2204120	
Q6068	TR	TTA0001(Q_T)TO3PN	1	2204120	
[CHASSIS SCREW]					
A043	BOTTOM LEG		4	27175452A	
A045	CUSHION	(LEG)	4	28141735	
A049	CUSHION	(BUTYL)W4.4xT1.6	1	28141945	
A125A	LABEL	(E-CON)	{ 1 }	29364978	
A129	LABEL	(PT)	1	29391178	
A133	REAR PANEL	TXNR929DC	1	27124522A	N
A147	LABEL	(SP1)	1	29390790	
A149	LABEL	(SP2)	1	29390791	
[CABINET]					
A401	F BRACKET	828(B)	1	27111624A	
A412	B PLATE	(B)	1	28133443	
A417	KNOB	(SEL)B	3	28326969B	
A418	KNOB	(CUR)AS BLACK	1	28326994C	
A422	KNOB	(ENTER) BLK	1	28326990	
A423	KNOB	(INP)BLK	2	28326971A	
A424	KNOB	(INP)BLK3_4	2	28327057A	
A425	KNOB	(SETUP)BLK	2	28326973A	
A426	FACET	(HDM)	1	28200057	
A428	FACET	(PURE)	1	28200056	
A437	FACET	(VOL)	1	28200059A	
A447	SHEET	(WIFI)	1	29096161	
A455	F PANEL	TX-NR929(B)MDC	1	27213665A	N
A456	DECO FRM	(CP)B	1	27215388	
A458	CLEAR PLT	TXNR828	1	28192412A	
A463	DECO FRM	(SEL)809_1009	1	27215386A	
A468	KNOB	(STBY)B	1	28326967	
A470	BADGE		1	28135317	
A483	DOOR	TXNR929(B)	1	28148844A	N
A701	COVER	(B)808 (Bent)	1	28210071	
A701	COVER	(B)808 (Not Bent)	1	28210071Z	
A709	KNOB	(VOL)AS(B)_828	1	28327149B	
A711	LABEL	(COVER)	1	29364123	
A713	LABEL	HOOKUP-ONKYO	1	29363194	
[TRANS COIL]					
T901	P TRANS	NPT-1593D	1	2301987A	!
[SW TRM]					
F2000	FUSE	3.15A-UL/T-233	1	252323GR	!
F2000 or	FUSE	3.15A-T/UL-ST2	(1)	252256GR	!
F2002	FUSE	4A-UL/T-233	1	252325GR	!
F2002 or	FUSE	4A-T/UL-ST2	(1)	252257GR	!
F6901	FUSE	15A-TUL-250V	1	252303GR	!
F6901 or	FUSE	15A-UL/T-314	(1)	252197GR	!
F6902	FUSE	15A-TUL-250V	1	252303GR	!

F6902 or	FUSE	15A-UL/T-314	(1)	252197GR	!
F6902E	LABEL	15A/250V	1	29362252	
F9002	FUSE	12A-TUL-250V	1	252301GR	!
F9002 or	FUSE	12A-UL/T-314	(1)	252196GR	!
P061	FAN	D09A-12PG13	1	24502328	
P062	FAN	D09A-12PG13	1	24502328	
P2101	FFC	NCFC5-211012	1	2045211012	
P7501	FFC	NCFC5-253512	1	2045253512	
P8691	CORD AS	HDMI 0.65M	1	2010502A	
P900	AC INLET	R301X2PSn	1	25053358	!
P921	AC CORD	AS-UC-2	1	253352ATES	!
P921 or	AC CORD	AS-UC-2	(1)	253297KAW	!
[TUNER UNIT]					
U001	U0010, U0011, U0012	BAAMP-1380-1A * (Parent)	1	1B292580-1A	MDC
U0010	AMP PC BOARD AS	BAAMP-1380-1A (Child)	1	1B2925380-1A	
U0011	POWER SUPPLY(AMP) PC BOARD AS	BAAF-1381-1A (Child)	1	1B2925381-1A	
U0012	SENSOR(THERMAL) PC BOARD AS	BAETC-1382-1A (Child)	1	1B2925382-1A	
U002	U0020, U0021, U0022, U0023, U0024, U0025, U0026, U0027, U0028, U0029	BACLA-1384-1A * (Parent)	1	1B292584-1A	MDC
U0020	AMP(CLASS-A) L PC BOARD AS	BACLA-1384-1A (Child)	1	1B2925384-1A	
U0021	AMP(CLASS-A) SBL PC BOARD AS	BACLA-1385-1A (Child)	1	1B2925385-1A	
U0022	AMP(CLASS-A) SLPC BOARD AS	BACLA-1386-1A (Child)	1	1B2925386-1A	
U0023	AMP(CLASS-A) LH PC BOARD AS	BACLA-1387-1A (Child)	1	1B2925387-1A	
U0024	AMP(CLASS-A) R PC BOARD AS	BACLA-1388-1A (Child)	1	1B2925388-1A	
U0025	AMP(CLASS-A) SBR PC BOARD AS	BACLA-1389-1A (Child)	1	1B2925389-1A	
U0026	AMP(CLASS-A) SR PC BOARD AS	BACLA-1390-1A (Child)	1	1B2925390-1A	
U0027	AMP(CLASS-A) C PC BOARD AS	BACLA-1391-1A (Child)	1	1B2925391-1A	
U0028	AMP(CLASS-A) RH PC BOARD AS	BACLA-1392-1A (Child)	1	1B2925392-1A	
U0029	POWER SUPPLY(SEC) PC BOARD AS	BAPS-1393-1A (Child)	1	1B2925393-1A	
U003	U0030, U0031, U0032, U0033, U0034	BATRM-1394-1A * (Parent)	1	1B292594-1A	MDC
U0030	TERMINAL (SPEAKER) PC BOARD AS	BATRM-1394-1A (Child)	1	1B2925394-1A	
U0031	TERMINAL (SPEAKER Z2/3) PC BOARD AS	BATRM-1396-1A (Child)	1	1B2925396-1A	
U0032	TERMINAL (SPEAKER C) PC BOARD AS	BATRM-1397-1A (Child)	1	1B2925397-1A	
U0033	POWER SUPPLY(PRI) PC BOARD AS	BAPS-1398-1A (Child)	1	1B2925398-1A	
U0034	POWER SUPPLY(VP) PC BOARD AS	BAPS-1417-1A (Child)	1	1B2925417-1A	
U004	U0040	BAVD-1152-2A * (Parent)	1	1B292552-2A	MDC
U0040	VIDEO PC BOARD AS	BAVD-1152-2A (Child)	1	1B2925152-2A	
U005	U0050, U0051, U0052, U0053, U0054	BADG-1401-1F * (Parent)	1	1B292501-1F	MDC
U0050	DAC/DIR PC BOARD AS	BADG-1401-1F (Child)	1	1B2925401-1F	
U0051	MPU PC BOARD AS	BACPU-1402-1F (Child)	1	1B2925402-1F	
U0052	AUDIO (ASP) PC BOARD AS	BAASP-1403-1F (Child)	1	1B2925403-1F	
U0053	CONNECTOR PC BOARD AS	BAETC-1404-1F (Child)	1	1B2925404-1F	
U0054	TERMINAL(RGB) PC BOARD AS	BAETC-1405-1F (Child)	1	1B2925405-1F	
U006	U0060, U0061, U0062, U0063, U0064, U0065, U0066, U0067	BADIS-1406-1A * (Parent)	1	1B292506-1A	MDC
U0060	DISPLAY PC BOARD AS	BADIS-1406-1A (Child)	1	1B2925406-1A	
U0061	VOLUME PC BOARD AS	BASW-1407-1A (Child)	1	1B2925407-1A	
U0062	SWITCH (STANDBY) PC BOARD AS	BASW-1408-1A (Child)	1	1B2925408-1A	
U0063	PHONE JACK PC BOARD AS	BAETC-1409-1A (Child)	1	1B2925409-1A	
U0064	TERMINAL (FRONT OPT) PC BOARD AS	BAETC-1411-1A (Child)	1	1B2925411-1A	
U0065	MIC JACK (SETUP) PC BOARD AS	BAETC-1412-1A (Child)	1	1B2925412-1A	
U0066	FIX PC BOARD AS	BAETC-1447-1A (Child)	1	1B2925447-1A	
U0067	FIX PC BOARD AS	BAETC-1448-1A (Child)	1	1B2925448-1A	
U007	U0070	BAHDM-1419-1A * (Parent)	1	1B292519-1A	MDC
U0070	PROCESSING PC BOARD AS	BAHDM-1419-1A (Child)	1	1B2925419-1A	
U008	U0080	BAHDM-1420-1A * (Parent)	1	1B292520-1A	MDC
U0080	TERMINAL (FRONT HDMI) PC BOARD AS	BAHDM-1420-1A (Child)	1	1B2925420-1A	
U009	U0090	BAETC-1348-1B * (Parent)	1	1B288548-1B	MDC
U0090	CONNECTOR (WI-FI/BT) PC BOARD AS	BAETC-1348-1B (Child)	1	1B2885348-1B	
U013	TUNER UNIT	FAEH08-W01	1	240169A	
U791	WIFI BT GOMB MODULE (U791A +U791B+U791C+U791D)	WCBN4601L-O1(wANT_OUT)	1	24850702	
U791A	PWB AS	WCBN4601L-O1	1	24150122	
U791B	WIFI BT ANTENA	AN-241NIPK06_L	1	2050093	
U791C	WIFI BT ANTENA	AN-241NIPK06_R	1	2050094	
U791D	HOLDER	HOLDER(ANT)	1	27191377	

TX-NR929(B)MDC

PACKING PROCEDURES PARTS LIST

REF. NO.	PART NAME	DESCRIPTION	Q'TY	PART NO. (SN)	REMARKS
[PACKING]					
A801	PAD	AS	1	29092591C	
A801A	PAD	(F)	{ 1}	29092592B	
A801B	PAD	(R)	{ 1}	29092593A	
A807	INST SHEET	(DOOR)	1	29355856	
A809	SHEET	(ACC)	1	29096104	
A811	SHEET	T0.515 x 1250 x 750	1	29096148	

A813	SHEET	t1.015 x 500 x 120	1	29096146	
A815	TAPE	(SEROHAN)NITTO NO.29	1	29110149	
A817	TAPE	FIXLON #817 W12	1	29110207	
A819	CARTON	TXNR929 DC	1	29055435	N
A821A	UPC LABEL	TX-NR929(B)MDC	{ 1}	29392314	N
A831	STAPLE	FUKAN-BARI(1000KO)	4	282321	
A833	PP TAPE	W50 SBT-70	1	29110200	
[ACCESSARY]					
A1001	POLY BAG	w250xd350	1	29100250A	
A1003	TAPE	(SEROHAN)NITTO NO.29	1	29110149	
A1005	LABEL	(SPCABLE)2009	1	29390881	
A1009	WRNTY CARD	(ONKYO)	1	29365156	N
A1010	BATTERY	R6/AA(UM-3)	2	3010194	
A1010 or	BATTERY	R6/AA(UM-3)	(2)	3010054	
A1011	REMO CON	RC-840M	1	24140840	
A1015	MIC	MIC-7001	1	245045	
A1017	ANT COIL	AM LOOP-ANTENNA	1	232207	
A1017 or	ANT COIL	NMA-3057	(1)	232140	
A1019	FM ANT AS	Type W	1	292191	
A1023	INS MANUAL	EnJa(GNU_License_2013)	1	29401470	
A1025	INS MANUAL	SAFETY_U3	1	29400883A	
A1033	INST SHEET	U11(2010_RIHD)	1	29355782C	
A1037	INS MANDSK	U7(2013_TX_AVR)	1	29500019D	N
A1043	INS MANUAL	QSG_En(TXNR929)	1	29401500	N
A1045	INS MANUAL	QSG_Fr(TXNR929)	1	29401501	N
A1047	INS MANUAL	QSG_Es(TXNR929)	1	29401502	N
A1151	INST SHEET	U11(WIFI/BT)	1	29355908	
A1157	SHEET	(FLYER-US)	1	29380162	

TX-NR929(B)MDC

PC BOARD PARTS LIST

U001

BAAMP-1380-1A

: NSP

CIRCUIT NO.	PART NAME	DESCRIPTION	Q'TY	PART NO. (SN)	REMARKS
[SEMI CONDUCTOR]					
D6000	C-DIODE	DA2J10100	1	223303R2	
D6000 or	C-DIODE	1SS352	(1)	223234R2	
D6001	C-DIODE	DA2J10100	1	223303R2	
D6001 or	C-DIODE	1SS352	(1)	223234R2	
D6002	C-DIODE	DA2J10100	1	223303R2	
D6002 or	C-DIODE	1SS352	(1)	223234R2	
D6003	C-DIODE	DA2J10100	1	223303R2	
D6003 or	C-DIODE	1SS352	(1)	223234R2	
D6004	C-DIODE	DA2J10100	1	223303R2	
D6004 or	C-DIODE	1SS352	(1)	223234R2	
D6005	C-DIODE	DA2J10100	1	223303R2	
D6005 or	C-DIODE	1SS352	(1)	223234R2	
D6006	C-DIODE	DA2J10100	1	223303R2	
D6006 or	C-DIODE	1SS352	(1)	223234R2	
D6007	C-DIODE	DA2J10100	1	223303R2	
D6007 or	C-DIODE	1SS352	(1)	223234R2	
D6008	C-DIODE	DA2J10100	1	223303R2	
D6008 or	C-DIODE	1SS352	(1)	223234R2	
D6221	C-DIODE	DA2J10100	1	223303R2	
D6221 or	C-DIODE	1SS352	(1)	223234R2	
D6222	C-DIODE	DA2J10100	1	223303R2	
D6222 or	C-DIODE	1SS352	(1)	223234R2	
D6701	C-DIODE	DA2J10100	1	223303R2	
D6701 or	C-DIODE	1SS352	(1)	223234R2	
D6702	C-DIODE	DA2J10100	1	223303R2	
D6702 or	C-DIODE	1SS352	(1)	223234R2	
D6703	ZENER D	DZ2J036M0L	1	224760360R2	
D6703 or	ZENER D	UDZS3.6B	(1)	224550360R2	
D6704	ZENER D	DZ2J036M0L	1	224760360R2	
D6713	ZENER D	DZ2J036M0L	1	224760360R2	
D6713 or	ZENER D	UDZS3.6B	(1)	224550360R2	
Q6000	TR	2SC2412K-R	1	2214653R2	
Q6001	TR	2SC2412K-R	1	2214653R2	
Q6002	TR	2SC2412K-R	1	2214653R2	
Q6003	TR	2SC2412K-R	1	2214653R2	
Q6004	TR	2SC2412K-R	1	2214653R2	
Q6005	TR	2SC2412K-R	1	2214653R2	
Q6006	TR	2SC2412K-R	1	2214653R2	
Q6007	TR	2SC2412K-R	1	2214653R2	

Q6008	TR	2SC2412K-R	1	2214653R2	
Q6070	TR	2SC2713-BL	1	2213136R2	
Q6071	TR	2SC2713-BL	1	2213136R2	
Q6072	TR	2SC2713-BL	1	2213136R2	
Q6073	TR	2SC2713-BL	1	2213136R2	
Q6074	TR	2SC2713-BL	1	2213136R2	
Q6075	TR	2SC2713-BL	1	2213136R2	
Q6076	TR	2SC2713-BL	1	2213136R2	
Q6077	TR	2SC2713-BL	1	2213136R2	
Q6078	TR	2SC2713-BL	1	2213136R2	
Q6227	TR	INA5001AP1-T111	1	2218030R2	N
Q6380	IC	LM61CIZ	1	22242212	
Q6550	TR	2SC2712-GR	1	2213145R2	
Q6551	TR	KTA1281-Y	1	2217834T	
Q6551 or	TR	2SB1240-R	(1)	2213794T	
Q6551 or	TR	KTA1281-O	(1)	2217833T	
Q6552	TR	KTA1281-Y	1	2217834T	
Q6552 or	TR	2SB1240-R	(1)	2213794T	
Q6552 or	TR	KTA1281-O	(1)	2217833T	
Q6701	TR	2SC2713-BL	1	2213136R2	
Q6702	TR	2SC2713-BL	1	2213136R2	
Q6703	TR	2SA1163-BL(TE85L_F)	1	2216756R2	
Q6713	TR	2SA1163-BL(TE85L_F)	1	2216756R2	
[TRANS COIL]					
L6800	S-COIL	SC-0.8X5.5X18.5T	1	231431S	
L6801	S-COIL	SC-0.8X5.5X18.5T	1	231431S	
L6802	S-COIL	SC-0.8X5.5X18.5T	1	231431S	
L6803	S-COIL	SC-0.8X5.5X18.5T	1	231431S	
L6804	S-COIL	SC-0.8X5.5X18.5T	1	231431S	
L6805	S-COIL	SC-0.8X5.5X18.5T	1	231431S	
L6806	S-COIL	SC-0.8X5.5X18.5T	1	231431S	
L6807	S-COIL	SC-0.8X5.5X18.5T	1	231431S	
L6808	S-COIL	SC-0.8X5.5X18.5T	1	231431S	
[CAPACITOR]					
C6040	TF C	ECQ-V50V-104J	1	374721044T	
C6041	TF C	ECQ-V50V-104J	1	374721044T	
C6042	TF C	ECQ-V50V-104J	1	374721044T	
C6043	TF C	ECQ-V50V-104J	1	374721044T	
C6044	TF C	ECQ-V50V-104J	1	374721044T	
C6045	TF C	ECQ-V50V-104J	1	374721044T	
C6046	TF C	ECQ-V50V-104J	1	374721044T	
C6047	TF C	ECQ-V50V-104J	1	374721044T	
C6048	TF C	ECQ-V50V-104J	1	374721044T	
C6222	UTSP C	CE04W25V-220M(UTSP)	1	397552217T	
C6701	UTSP C	CE04W16V-330M(UTSP)	1	397543317T	
C6703	TF C	ECQ-V50V-223J	1	374722234T	
C6704	UTSP C	CE04W50V-1M(UTSP)	1	397580107AT	
C6706	UTSP C	CE04W25V-47M(UTSP)	1	397554707AT	
C6713	TF C	ECQ-V50V-223J	1	374722234T	
C6714	UTSP C	CE04W50V-1M(UTSP)	1	397580107AT	
C6870	TF C	ECQ-V50V-473J	1	374724734T	
C6871	TF C	ECQ-V50V-473J	1	374724734T	
C6872	TF C	ECQ-V50V-473J	1	374724734T	
C6873	TF C	ECQ-V50V-473J	1	374724734T	
C6874	TF C	ECQ-V50V-473J	1	374724734T	
C6875	TF C	ECQ-V50V-473J	1	374724734T	
C6876	TF C	ECQ-V50V-473J	1	374724734T	
C6877	TF C	ECQ-V50V-473J	1	374724734T	
C6878	TF C	ECQ-V50V-473J	1	374724734T	
C6901	ELECT C	CE69W71V-15000M	1	3504473	
C6902	ELECT C	CE69W71V-15000M	1	3504473	
C6912	TF C	ECQ-V100V-334J	1	374733344T	
C6913	TF C	ECQ-V100V-334J	1	374733344T	
[RESISTOR]					
R6170	C-CARBON R	RN72K1J-333JE	1	435033334R1	
R6171	C-CARBON R	RN72K1J-333JE	1	435033334R1	
R6172	C-CARBON R	RN72K1J-333JE	1	435033334R1	
R6173	C-CARBON R	RN72K1J-333JE	1	435033334R1	
R6174	C-CARBON R	RN72K1J-333JE	1	435033334R1	
R6175	C-CARBON R	RN72K1J-333JE	1	435033334R1	
R6176	C-CARBON R	RN72K1J-333JE	1	435033334R1	
R6177	C-CARBON R	RN72K1J-333JE	1	435033334R1	
R6178	C-CARBON R	RN72K1J-333JE	1	435033334R1	
R6180	C-CARBON R	RN72K1J-563JE	1	435035634R1	
R6181	C-CARBON R	RN72K1J-563JE	1	435035634R1	
R6182	C-CARBON R	RN72K1J-563JE	1	435035634R1	

R6183	C-CARBON R	RN72K1J-563JE	1	435035634R1
R6184	C-CARBON R	RN72K1J-563JE	1	435035634R1
R6185	C-CARBON R	RN72K1J-563JE	1	435035634R1
R6186	C-CARBON R	RN72K1J-563JE	1	435035634R1
R6187	C-CARBON R	RN72K1J-563JE	1	435035634R1
R6188	C-CARBON R	RN72K1J-563JE	1	435035634R1
R6190	C-CARBON R	RN72K1J-103JE	1	435031034R1
R6191	C-CARBON R	RN72K1J-103JE	1	435031034R1
R6192	C-CARBON R	RN72K1J-103JE	1	435031034R1
R6193	C-CARBON R	RN72K1J-103JE	1	435031034R1
R6194	C-CARBON R	RN72K1J-103JE	1	435031034R1
R6195	C-CARBON R	RN72K1J-103JE	1	435031034R1
R6196	C-CARBON R	RN72K1J-103JE	1	435031034R1
R6197	C-CARBON R	RN72K1J-103JE	1	435031034R1
R6198	C-CARBON R	RN72K1J-103JE	1	435031034R1
R6210	C-CARBON R	RN72K1J-333JE	1	435033334R1
R6211	C-CARBON R	RN72K1J-333JE	1	435033334R1
R6212	C-CARBON R	RN72K1J-333JE	1	435033334R1
R6213	C-CARBON R	RN72K1J-333JE	1	435033334R1
R6214	C-CARBON R	RN72K1J-333JE	1	435033334R1
R6215	C-CARBON R	RN72K1J-333JE	1	435033334R1
R6216	C-CARBON R	RN72K1J-333JE	1	435033334R1
R6217	C-CARBON R	RN72K1J-333JE	1	435033334R1
R6218	C-CARBON R	RN72K1J-333JE	1	435033334R1
R6222	METAL R	RNU1/2WCJ-1	1	453530104T
R6223	C-CARBON R	RN72K1J-562JE	1	435035624R1
R6230	C-CARBON R	RN72K1J-333JE	1	435033334R1
R6231	C-CARBON R	RN72K1J-333JE	1	435033334R1
R6232	C-CARBON R	RN72K1J-333JE	1	435033334R1
R6233	C-CARBON R	RN72K1J-333JE	1	435033334R1
R6234	C-CARBON R	RN72K1J-333JE	1	435033334R1
R6235	C-CARBON R	RN72K1J-333JE	1	435033334R1
R6236	C-CARBON R	RN72K1J-333JE	1	435033334R1
R6237	C-CARBON R	RN72K1J-333JE	1	435033334R1
R6238	C-CARBON R	RN72K1J-333JE	1	435033334R1
R6240	C-CARBON R	RN72K1J-153JE	1	435031534R1
R6241	C-CARBON R	RN72K1J-153JE	1	435031534R1
R6242	C-CARBON R	RN72K1J-153JE	1	435031534R1
R6243	C-CARBON R	RN72K1J-153JE	1	435031534R1
R6244	C-CARBON R	RN72K1J-153JE	1	435031534R1
R6245	C-CARBON R	RN72K1J-153JE	1	435031534R1
R6246	C-CARBON R	RN72K1J-153JE	1	435031534R1
R6247	C-CARBON R	RN72K1J-153JE	1	435031534R1
R6248	C-CARBON R	RN72K1J-153JE	1	435031534R1
R6400	METAL PR	MPR5W+5W 0R22	1	4000233S
R6401	METAL PR	MPR5W+5W 0R22	1	4000233S
R6402	METAL PR	MPR5W+5W 0R22	1	4000233S
R6403	METAL PR	MPR5W+5W 0R22	1	4000233S
R6404	METAL PR	MPR5W+5W 0R22	1	4000233S
R6405	METAL PR	MPR5W+5W 0R22	1	4000233S
R6406	METAL PR	MPR5W+5W 0R22	1	4000233S
R6407	METAL PR	MPR5W+5W 0R22	1	4000233S
R6408	METAL PR	MPR5W+5W 0R22	1	4000233S
R6410	C-CARBON R	RN72K1J-153JE	1	435031534R1
R6411	C-CARBON R	RN72K1J-153JE	1	435031534R1
R6412	C-CARBON R	RN72K1J-153JE	1	435031534R1
R6413	C-CARBON R	RN72K1J-153JE	1	435031534R1
R6414	C-CARBON R	RN72K1J-153JE	1	435031534R1
R6415	C-CARBON R	RN72K1J-153JE	1	435031534R1
R6416	C-CARBON R	RN72K1J-153JE	1	435031534R1
R6417	C-CARBON R	RN72K1J-153JE	1	435031534R1
R6418	C-CARBON R	RN72K1J-153JE	1	435031534R1
R6550	C-CARBON R	RN72K1J-472JE	1	435034724R1
R6551	C-CARBON R	RN72K1J-331JE	1	435033314R1
R6552	C-CARBON R	RN72K1J-182JE	1	435031824R1
R6553	C-CARBON R	RN72K1J-122JE	1	435031224R1
R6554	C-CARBON R	RN72K1J-223JE	1	435032234R1
R6555	METAL R	RNU1WCJ-6.8	1	453630684T
R6556	METAL R	RNU1WCJ-6.8	1	453630684T
R6701	C-CARBON R	RN72K1J-223JE	1	435032234R1
R6702	C-CARBON R	RN72K1J-103JE	1	435031034R1
R6704	C-CARBON R	RN72K1J-183JE	1	435031834R1
R6705	C-CARBON R	RN72K1J-153JE	1	435031534R1
R6706	C-CARBON R	RN72K1J-223JE	1	435032234R1
R6707	C-CARBON R	RN72K1J-153JE	1	435031534R1
R6708	C-CARBON R	RN72K1J-183JE	1	435031834R1

R6709	C-CARBON R	RN72K1J-392JE	1	435033924R1	
R6710	C-CARBON R	RN72K1J-153JE	1	435031534R1	
R6712	C-CARBON R	RN72K1J-103JE	1	435031034R1	
R6714	C-CARBON R	RN72K1J-183JE	1	435031834R1	
R6715	C-CARBON R	RN72K1J-153JE	1	435031534R1	
R6716	C-CARBON R	RN72K1J-223JE	1	435032234R1	
R6800	METAL O R	RS1/2WBJ-10	1	443521004T	
R6801	METAL O R	RS1/2WBJ-10	1	443521004T	
R6802	METAL O R	RS1/2WBJ-10	1	443521004T	
R6803	METAL O R	RS1/2WBJ-10	1	443521004T	
R6804	METAL O R	RS1/2WBJ-10	1	443521004T	
R6805	METAL O R	RS1/2WBJ-10	1	443521004T	
R6806	METAL O R	RS1/2WBJ-10	1	443521004T	
R6807	METAL O R	RS1/2WBJ-10	1	443521004T	
R6808	METAL O R	RS1/2WBJ-10	1	443521004T	
R6820	METAL R	RNU1WCJ-8.2	1	453630824T	
R6821	METAL R	RNU1WCJ-8.2	1	453630824T	
R6822	METAL R	RNU1WCJ-8.2	1	453630824T	
R6823	METAL R	RNU1WCJ-8.2	1	453630824T	
R6824	METAL R	RNU1WCJ-8.2	1	453630824T	
R6825	METAL R	RNU1WCJ-8.2	1	453630824T	
R6826	METAL R	RNU1WCJ-8.2	1	453630824T	
R6827	METAL R	RNU1WCJ-8.2	1	453630824T	
R6828	METAL R	RNU1WCJ-8.2	1	453630824T	
[SW TRM]					
P4512A	CRIMP AS	CRIMP SR805_1	1	20799169JUL	
P4515A	SOCKET AS	NSAS-20P1856	1	2009991191AUL	
P4516A	SOCKET AS	NSAS-16P1855	1	2009991190AUL	
P5010B	PLUG	NPLG-3P0958	1	25056008	
P5011B	PLUG	NPLG-3P0958	1	25056008	
P5012B	PLUG	NPLG-3P0958	1	25056008	
P5013B	PLUG	NPLG-3P0958	1	25056008	
P5014B	PLUG	NPLG-3P0958	1	25056008	
P5015B	PLUG	NPLG-3P0958	1	25056008	
P5016B	PLUG	NPLG-3P0958	1	25056008	
P5017B	PLUG	NPLG-3P0958	1	25056008	
P5018B	PLUG	NPLG-3P0958	1	25056008	
P5020B	TRM	NTM-1P232(M1700)	1	25060301	
P5021B	TRM	NTM-1P232(M1700)	1	25060301	
P5022B	TRM	NTM-1P232(M1700)	1	25060301	
P5023B	TRM	NTM-1P232(M1700)	1	25060301	
P5024B	TRM	NTM-1P232(M1700)	1	25060301	
P5025B	TRM	NTM-1P232(M1700)	1	25060301	
P5026B	TRM	NTM-1P232(M1700)	1	25060301	
P5027B	TRM	NTM-1P232(M1700)	1	25060301	
P5028B	TRM	NTM-1P232(M1700)	1	25060301	
P6030A	PLUG	MSA-9115B-09	1	25056339	
P6031A	PLUG	MSA-9115B-09	1	25056339	
P6032A	PLUG	MSA-9115B-09	1	25056339	
P6033A	PLUG	MSA-9115B-09	1	25056339	
P6034A	PLUG	MSA-9115B-09	1	25056339	
P6035A	PLUG	MSA-9115B-09	1	25056339	
P6036A	PLUG	MSA-9115B-09	1	25056339	
P6037A	PLUG	MSA-9115B-09	1	25056339	
P6038A	PLUG	MSA-9115B-09	1	25056339	
P6041	SOCKET AS	NSAS-3P2093	1	2009991282JUL	N
P6041A	WIRE HOL	NSCT-3P874	1	25051087	
P6041B	PLUG	NPLG-3P131	1	25055147	
P6050	PLUG	MSA-9201B-1-06Z388-PT1	1	25056614	
P6051	PLUG	MSA-9201B-1-06Z388-PT1	1	25056614	
P6052	PLUG	MSA-9201B-1-06Z388-PT1	1	25056614	
P6053	PLUG	MSA-9201B-1-06Z388-PT1	1	25056614	
P6054	PLUG	MSA-9201B-1-06Z388-PT1	1	25056614	
P6055	PLUG	MSA-9201B-1-06Z388-PT1	1	25056614	
P6056	PLUG	MSA-9201B-1-06Z388-PT1	1	25056614	
P6057	PLUG	MSA-9201B-1-06Z388-PT1	1	25056614	
P6058	PLUG	MSA-9201B-1-06Z388-PT1	1	25056614	
P6060	PLUG	MSA-9201B-1-06Z388-PT1	1	25056614	
P6061	PLUG	MSA-9201B-1-06Z388-PT1	1	25056614	
P6062	PLUG	MSA-9201B-1-06Z388-PT1	1	25056614	
P6063	PLUG	MSA-9201B-1-06Z388-PT1	1	25056614	
P6064	PLUG	MSA-9201B-1-06Z388-PT1	1	25056614	
P6065	PLUG	MSA-9201B-1-06Z388-PT1	1	25056614	
P6066	PLUG	MSA-9201B-1-06Z388-PT1	1	25056614	
P6067	PLUG	MSA-9201B-1-06Z388-PT1	1	25056614	
P6068	PLUG	MSA-9201B-1-06Z388-PT1	1	25056614	

P6070	PLUG	NPLG-2P645	1	25055689	
P6071	PLUG	NPLG-2P645	1	25055689	
P6072	PLUG	NPLG-2P645	1	25055689	
P6073	PLUG	NPLG-2P645	1	25055689	
P6074	PLUG	NPLG-2P645	1	25055689	
P6075	PLUG	NPLG-2P645	1	25055689	
P6076	PLUG	NPLG-2P645	1	25055689	
P6077	PLUG	NPLG-2P645	1	25055689	
P6078	PLUG	NPLG-2P645	1	25055689	
P6340A	SOCKET AS	NSAS-4P1836	1	2009991182UL	
P6340B	PLUG	NPLG-2P631	1	25055675	
P6350	RETAINER	(BUS-P)	1	27142160	
P6360	RETAINER	(BUS-P)	1	27142160	
P6400	RETAINER	(BUS-D)	1	27142184	
P6402	SOCKET AS	NSAS-3P2095	1	2009991284UL	
P6402A	PLUG	NPLG-3P131	1	25055147	
P6402B	WIRE HOL	NSCT-3P874	1	25051087	
P6550	PLUG	NPLG-2P83	1	25055099	
P6560	PLUG	NPLG-2P83	1	25055099	
P6600	SOCKET AS	NSAS-18P1822	1	2009991177UL	
P6601	SOCKET AS	NSAS-6P1826	1	2009991178UL	
P6602	SOCKET AS	NSAS-3P2093	1	2009991282UL	N
P6602A	WIRE HOL	NSCT-3P874	1	25051087	
P6603A	SOCKET AS	NSAS-22P1829	1	2009991181UL	
P6606A	SOCKET AS	NSAS-18P1857	1	20099911815UL	
Q6380A	RETAINER	(PTH)	1	27141884-1	

U002

BACLA-1384-1A

: NSP

CIRCUIT NO.	PART NAME	DESCRIPTION	Q'TY	PART NO. (SN)	REMARKS
[SEMI CONDUCTOR]					
D5000	ZENER D	DZ2J056M0L	1	224760560R2	
D5000 or	ZENER D	UDZS5.6B	(1)	224550560R2	
D5001	ZENER D	DZ2J056M0L	1	224760560R2	
D5001 or	ZENER D	UDZS5.6B	(1)	224550560R2	
D5002	ZENER D	DZ2J056M0L	1	224760560R2	
D5002 or	ZENER D	UDZS5.6B	(1)	224550560R2	
D5003	ZENER D	DZ2J056M0L	1	224760560R2	
D5003 or	ZENER D	UDZS5.6B	(1)	224550560R2	
D5004	ZENER D	DZ2J056M0L	1	224760560R2	
D5004 or	ZENER D	UDZS5.6B	(1)	224550560R2	
D5005	ZENER D	DZ2J056M0L	1	224760560R2	
D5005 or	ZENER D	UDZS5.6B	(1)	224550560R2	
D5006	ZENER D	DZ2J056M0L	1	224760560R2	
D5006 or	ZENER D	UDZS5.6B	(1)	224550560R2	
D5007	ZENER D	DZ2J056M0L	1	224760560R2	
D5007 or	ZENER D	UDZS5.6B	(1)	224550560R2	
D5008	ZENER D	DZ2J056M0L	1	224760560R2	
D5008 or	ZENER D	UDZS5.6B	(1)	224550560R2	
D6904	DIODE	RL1N4003	1	22380260T	
D6905	DIODE	RL1N4003	1	22380260T	
Q5000	TR	2SC2713-BL	1	2213136R2	
Q5001	TR	2SC2713-BL	1	2213136R2	
Q5002	TR	2SC2713-BL	1	2213136R2	
Q5003	TR	2SC2713-BL	1	2213136R2	
Q5004	TR	2SC2713-BL	1	2213136R2	
Q5005	TR	2SC2713-BL	1	2213136R2	
Q5006	TR	2SC2713-BL	1	2213136R2	
Q5007	TR	2SC2713-BL	1	2213136R2	
Q5008	TR	2SC2713-BL	1	2213136R2	
Q5010	TR	2SC2713-BL	1	2213136R2	
Q5011	TR	2SC2713-BL	1	2213136R2	
Q5012	TR	2SC2713-BL	1	2213136R2	
Q5013	TR	2SC2713-BL	1	2213136R2	
Q5014	TR	2SC2713-BL	1	2213136R2	
Q5015	TR	2SC2713-BL	1	2213136R2	
Q5016	TR	2SC2713-BL	1	2213136R2	
Q5017	TR	2SC2713-BL	1	2213136R2	
Q5018	TR	2SC2713-BL	1	2213136R2	
Q5020	TR	2SC2412K-R	1	2214653R2	
Q5021	TR	2SC2412K-R	1	2214653R2	
Q5022	TR	2SC2412K-R	1	2214653R2	
Q5023	TR	2SC2412K-R	1	2214653R2	

Q5068 or	TR	2SA1200-Y(2LONK_ZE)	(1)	2217584R2
Q5080	TR	INC6006AP1-T111	1	2217990R2
Q5080 or	TR	2SC2880-Y(2LONK_ZE)	(1)	2217594R2
Q5081	TR	INC6006AP1-T111	1	2217990R2
Q5081 or	TR	2SC2880-Y(2LONK_ZE)	(1)	2217594R2
Q5082	TR	INC6006AP1-T111	1	2217990R2
Q5082 or	TR	2SC2880-Y(2LONK_ZE)	(1)	2217594R2
Q5083	TR	INC6006AP1-T111	1	2217990R2
Q5083 or	TR	2SC2880-Y(2LONK_ZE)	(1)	2217594R2
Q5084	TR	INC6006AP1-T111	1	2217990R2
Q5084 or	TR	2SC2880-Y(2LONK_ZE)	(1)	2217594R2
Q5085	TR	INC6006AP1-T111	1	2217990R2
Q5085 or	TR	2SC2880-Y(2LONK_ZE)	(1)	2217594R2
Q5086	TR	INC6006AP1-T111	1	2217990R2
Q5086 or	TR	2SC2880-Y(2LONK_ZE)	(1)	2217594R2
Q5087	TR	INC6006AP1-T111	1	2217990R2
Q5087 or	TR	2SC2880-Y(2LONK_ZE)	(1)	2217594R2
Q5088	TR	INC6006AP1-T111	1	2217990R2
Q5088 or	TR	2SC2880-Y(2LONK_ZE)	(1)	2217594R2
Q5090	TR	INC6006AP1-T111	1	2217990R2
Q5090 or	TR	2SC2880-Y(2LONK_ZE)	(1)	2217594R2
Q5091	TR	INC6006AP1-T111	1	2217990R2
Q5091 or	TR	2SC2880-Y(2LONK_ZE)	(1)	2217594R2
Q5092	TR	INC6006AP1-T111	1	2217990R2
Q5092 or	TR	2SC2880-Y(2LONK_ZE)	(1)	2217594R2
Q5093	TR	INC6006AP1-T111	1	2217990R2
Q5093 or	TR	2SC2880-Y(2LONK_ZE)	(1)	2217594R2
Q5094	TR	INC6006AP1-T111	1	2217990R2
Q5094 or	TR	2SC2880-Y(2LONK_ZE)	(1)	2217594R2
Q5095	TR	INC6006AP1-T111	1	2217990R2
Q5095 or	TR	2SC2880-Y(2LONK_ZE)	(1)	2217594R2
Q5096	TR	INC6006AP1-T111	1	2217990R2
Q5096 or	TR	2SC2880-Y(2LONK_ZE)	(1)	2217594R2
Q5097	TR	INC6006AP1-T111	1	2217990R2
Q5097 or	TR	2SC2880-Y(2LONK_ZE)	(1)	2217594R2
Q5098	TR	INC6006AP1-T111	1	2217990R2
Q5098 or	TR	2SC2880-Y(2LONK_ZE)	(1)	2217594R2
Q6010	TR	2SC2412K-R	1	2214653R2
Q6011	TR	2SC2412K-R	1	2214653R2
Q6012	TR	2SC2412K-R	1	2214653R2
Q6013	TR	2SC2412K-R	1	2214653R2
Q6014	TR	2SC2412K-R	1	2214653R2
Q6015	TR	2SC2412K-R	1	2214653R2
Q6016	TR	2SC2412K-R	1	2214653R2
Q6017	TR	2SC2412K-R	1	2214653R2
Q6018	TR	2SC2412K-R	1	2214653R2
Q6030	TR	INC6006AP1-T111	1	2217990R2
Q6030 or	TR	2SC2880-Y(2LONK_ZE)	(1)	2217594R2
Q6031	TR	INC6006AP1-T111	1	2217990R2
Q6031 or	TR	2SC2880-Y(2LONK_ZE)	(1)	2217594R2
Q6032	TR	INC6006AP1-T111	1	2217990R2
Q6032 or	TR	2SC2880-Y(2LONK_ZE)	(1)	2217594R2
Q6033	TR	INC6006AP1-T111	1	2217990R2
Q6033 or	TR	2SC2880-Y(2LONK_ZE)	(1)	2217594R2
Q6034	TR	INC6006AP1-T111	1	2217990R2
Q6034 or	TR	2SC2880-Y(2LONK_ZE)	(1)	2217594R2
Q6035	TR	INC6006AP1-T111	1	2217990R2
Q6035 or	TR	2SC2880-Y(2LONK_ZE)	(1)	2217594R2
Q6036	TR	INC6006AP1-T111	1	2217990R2
Q6036 or	TR	2SC2880-Y(2LONK_ZE)	(1)	2217594R2
Q6037	TR	INC6006AP1-T111	1	2217990R2
Q6037 or	TR	2SC2880-Y(2LONK_ZE)	(1)	2217594R2
Q6038	TR	INC6006AP1-T111	1	2217990R2
Q6038 or	TR	2SC2880-Y(2LONK_ZE)	(1)	2217594R2
Q6040	TR	INA6006AP1-T111	1	2217980R2
Q6040 or	TR	2SA1200-Y(2LONK_ZE)	(1)	2217584R2
Q6041	TR	INA6006AP1-T111	1	2217980R2
Q6041 or	TR	2SA1200-Y(2LONK_ZE)	(1)	2217584R2
Q6042	TR	INA6006AP1-T111	1	2217980R2
Q6042 or	TR	2SA1200-Y(2LONK_ZE)	(1)	2217584R2
Q6043	TR	INA6006AP1-T111	1	2217980R2
Q6043 or	TR	2SA1200-Y(2LONK_ZE)	(1)	2217584R2
Q6044	TR	INA6006AP1-T111	1	2217980R2
Q6044 or	TR	2SA1200-Y(2LONK_ZE)	(1)	2217584R2
Q6045	TR	INA6006AP1-T111	1	2217980R2
Q6045 or	TR	2SA1200-Y(2LONK_ZE)	(1)	2217584R2

Q6046	TR	INA6006AP1-T111	1	2217980R2	
Q6046 or	TR	2SA1200-Y(2LONK_ZE)	(1)	2217584R2	
Q6047	TR	INA6006AP1-T111	1	2217980R2	
Q6047 or	TR	2SA1200-Y(2LONK_ZE)	(1)	2217584R2	
Q6048	TR	INA6006AP1-T111	1	2217980R2	
Q6048 or	TR	2SA1200-Y(2LONK_ZE)	(1)	2217584R2	
Q6100	TR	TTA-004(Q)TO126	1	2217442	
Q6100 or	TR	TTA004B_Q(S)	(1)	2218012	N
Q6101	TR	TTA-004(Q)TO126	1	2217442	
Q6101 or	TR	TTA004B_Q(S)	(1)	2218012	N
Q6102	TR	TTA-004(Q)TO126	1	2217442	
Q6102 or	TR	TTA004B_Q(S)	(1)	2218012	N
Q6103	TR	TTA-004(Q)TO126	1	2217442	
Q6103 or	TR	TTA004B_Q(S)	(1)	2218012	N
Q6104	TR	TTA-004(Q)TO126	1	2217442	
Q6104 or	TR	TTA004B_Q(S)	(1)	2218012	N
Q6105	TR	TTA-004(Q)TO126	1	2217442	
Q6105 or	TR	TTA004B_Q(S)	(1)	2218012	N
Q6106	TR	TTA-004(Q)TO126	1	2217442	
Q6106 or	TR	TTA004B_Q(S)	(1)	2218012	N
Q6107	TR	TTA-004(Q)TO126	1	2217442	
Q6107 or	TR	TTA004B_Q(S)	(1)	2218012	N
Q6108	TR	TTA-004(Q)TO126	1	2217442	
Q6108 or	TR	TTA004B_Q(S)	(1)	2218012	N
Q6110	TR	TTC-004(Q)TO126	1	2217452	
Q6110 or	TR	TTC004B_Q(S)	(1)	2218022	N
Q6111	TR	TTC-004(Q)TO126	1	2217452	
Q6111 or	TR	TTC004B_Q(S)	(1)	2218022	N
Q6112	TR	TTC-004(Q)TO126	1	2217452	
Q6112 or	TR	TTC004B_Q(S)	(1)	2218022	N
Q6113	TR	TTC-004(Q)TO126	1	2217452	
Q6113 or	TR	TTC004B_Q(S)	(1)	2218022	N
Q6114	TR	TTC-004(Q)TO126	1	2217452	
Q6114 or	TR	TTC004B_Q(S)	(1)	2218022	N
Q6115	TR	TTC-004(Q)TO126	1	2217452	
Q6115 or	TR	TTC004B_Q(S)	(1)	2218022	N
Q6116	TR	TTC-004(Q)TO126	1	2217452	
Q6116 or	TR	TTC004B_Q(S)	(1)	2218022	N
Q6117	TR	TTC-004(Q)TO126	1	2217452	
Q6117 or	TR	TTC004B_Q(S)	(1)	2218022	N
Q6118	TR	TTC-004(Q)TO126	1	2217452	
Q6118 or	TR	TTC004B_Q(S)	(1)	2218022	N
Q6901	TR	2SC2712-GR	1	2213145R2	
[CHASSIS SCREW]					
Q6100A	HEAT SINK	(CLA)	1	27160682	N
Q6100B	SCREW	3TTB+8B(3BC)	2	838430088GR	
Q6101A	HEAT SINK	(CLA)	1	27160682	N
Q6101B	SCREW	3TTB+8B(3BC)	2	838430088GR	
Q6102A	HEAT SINK	(CLA)	1	27160682	N
Q6102B	SCREW	3TTB+8B(3BC)	2	838430088GR	
Q6103A	HEAT SINK	(CLA)	1	27160682	N
Q6103B	SCREW	3TTB+8B(3BC)	2	838430088GR	
Q6104A	HEAT SINK	(CLA)	1	27160682	N
Q6104B	SCREW	3TTB+8B(3BC)	2	838430088GR	
Q6105A	HEAT SINK	(CLA)	1	27160682	N
Q6105B	SCREW	3TTB+8B(3BC)	2	838430088GR	
Q6106A	HEAT SINK	(CLA)	1	27160682	N
Q6106B	SCREW	3TTB+8B(3BC)	2	838430088GR	
Q6107A	HEAT SINK	(CLA)	1	27160682	N
Q6107B	SCREW	3TTB+8B(3BC)	2	838430088GR	
Q6108A	HEAT SINK	(CLA)	1	27160682	N
Q6108B	SCREW	3TTB+8B(3BC)	2	838430088GR	
[TRANS COIL]					
L6000	FR CORE	---	1	5597-45502	
L6001	FR CORE	---	1	5597-45502	
L6002	FR CORE	---	1	5597-45502	
L6003	FR CORE	---	1	5597-45502	
L6004	FR CORE	---	1	5597-45502	
L6005	FR CORE	---	1	5597-45502	
L6006	FR CORE	---	1	5597-45502	
L6007	FR CORE	---	1	5597-45502	
L6008	FR CORE	---	1	5597-45502	
L6010	FR CORE	---	1	5597-45502	
L6011	FR CORE	---	1	5597-45502	
L6012	FR CORE	---	1	5597-45502	
L6013	FR CORE	---	1	5597-45502	

L6014	FR CORE	---	1	5597-45502
L6015	FR CORE	---	1	5597-45502
L6016	FR CORE	---	1	5597-45502
L6017	FR CORE	---	1	5597-45502
L6018	FR CORE	---	1	5597-45502
[CAPACITOR]				
C5000	UTSP C	CE04W50V-10M(UTSP)	1	397581007AT
C5000 or	UTSP C	CE04W50V-10M(UTSP)	(1)	397581007AT
C5001	UTSP C	CE04W50V-10M(UTSP)	1	397581007AT
C5002	UTSP C	CE04W50V-10M(UTSP)	1	397581007AT
C5003	UTSP C	CE04W50V-10M(UTSP)	1	397581007AT
C5004	UTSP C	CE04W50V-10M(UTSP)	1	397581007AT
C5005	UTSP C	CE04W50V-10M(UTSP)	1	397581007AT
C5006	UTSP C	CE04W50V-10M(UTSP)	1	397581007AT
C5007	UTSP C	CE04W50V-10M(UTSP)	1	397581007AT
C5008	UTSP C	CE04W50V-10M(UTSP)	1	397581007AT
C5010	UTSP C	CE04W50V 47M(UTSP)	1	397584707AT
C5010 or	UTSP C	CE04W50V 47M(UTSP)	(1)	397584707AT
C5011	UTSP C	CE04W50V 47M(UTSP)	1	397584707AT
C5012	UTSP C	CE04W50V 47M(UTSP)	1	397584707AT
C5013	UTSP C	CE04W50V 47M(UTSP)	1	397584707AT
C5014	UTSP C	CE04W50V 47M(UTSP)	1	397584707AT
C5015	UTSP C	CE04W50V 47M(UTSP)	1	397584707AT
C5016	UTSP C	CE04W50V 47M(UTSP)	1	397584707AT
C5017	UTSP C	CE04W50V 47M(UTSP)	1	397584707AT
C5018	UTSP C	CE04W50V 47M(UTSP)	1	397584707AT
C5020	UPZ C	2AUPZTF221JE	1	376332214T
C5021	UPZ C	2AUPZTF221JE	1	376332214T
C5022	UPZ C	2AUPZTF221JE	1	376332214T
C5023	UPZ C	2AUPZTF221JE	1	376332214T
C5024	UPZ C	2AUPZTF221JE	1	376332214T
C5025	UPZ C	2AUPZTF221JE	1	376332214T
C5026	UPZ C	2AUPZTF221JE	1	376332214T
C5027	UPZ C	2AUPZTF221JE	1	376332214T
C5028	UPZ C	2AUPZTF221JE	1	376332214T
C5040	UTSP C	CE04W25V-220M(UTSP)	1	397552217T
C5041	UTSP C	CE04W25V-220M(UTSP)	1	397552217T
C5042	UTSP C	CE04W25V-220M(UTSP)	1	397552217T
C5043	UTSP C	CE04W25V-220M(UTSP)	1	397552217T
C5044	UTSP C	CE04W25V-220M(UTSP)	1	397552217T
C5045	UTSP C	CE04W25V-220M(UTSP)	1	397552217T
C5046	UTSP C	CE04W25V-220M(UTSP)	1	397552217T
C5047	UTSP C	CE04W25V-220M(UTSP)	1	397552217T
C5048	UTSP C	CE04W25V-220M(UTSP)	1	397552217T
C5100	UPZ C	2AUPZTF101JE	1	376331014T
C5101	UPZ C	2AUPZTF101JE	1	376331014T
C5102	UPZ C	2AUPZTF101JE	1	376331014T
C5103	UPZ C	2AUPZTF101JE	1	376331014T
C5104	UPZ C	2AUPZTF101JE	1	376331014T
C5105	UPZ C	2AUPZTF101JE	1	376331014T
C5106	UPZ C	2AUPZTF101JE	1	376331014T
C5107	UPZ C	2AUPZTF101JE	1	376331014T
C5108	UPZ C	2AUPZTF101JE	1	376331014T
C5110	CERA C	CC45SL50V-040C	1	345020401T
C5111	CERA C	CC45SL50V-040C	1	345020401T
C5112	CERA C	CC45SL50V-040C	1	345020401T
C5113	CERA C	CC45SL50V-040C	1	345020401T
C5114	CERA C	CC45SL50V-040C	1	345020401T
C5115	CERA C	CC45SL50V-040C	1	345020401T
C5116	CERA C	CC45SL50V-040C	1	345020401T
C5117	CERA C	CC45SL50V-040C	1	345020401T
C5118	CERA C	CC45SL50V-040C	1	345020401T
C5120	VR C	CE04W100V-22M(VR)	1	394692207T
C5121	VR C	CE04W100V-22M(VR)	1	394692207T
C5122	VR C	CE04W100V-22M(VR)	1	394692207T
C5123	VR C	CE04W100V-22M(VR)	1	394692207T
C5124	VR C	CE04W100V-22M(VR)	1	394692207T
C5125	VR C	CE04W100V-22M(VR)	1	394692207T
C5126	VR C	CE04W100V-22M(VR)	1	394692207T
C5127	VR C	CE04W100V-22M(VR)	1	394692207T
C5128	VR C	CE04W100V-22M(VR)	1	394692207T
C5130	VR C	CE04W100V-22M(VR)	1	394692207T
C5131	VR C	CE04W100V-22M(VR)	1	394692207T
C5132	VR C	CE04W100V-22M(VR)	1	394692207T
C5133	VR C	CE04W100V-22M(VR)	1	394692207T
C5134	VR C	CE04W100V-22M(VR)	1	394692207T

C5135	VR C	CE04W100V-22M(VR)	1	394692207T
C5136	VR C	CE04W100V-22M(VR)	1	394692207T
C5137	VR C	CE04W100V-22M(VR)	1	394692207T
C5138	VR C	CE04W100V-22M(VR)	1	394692207T
C6000	MKT C	B32529C0102J289	1	376491024T
C6001	MKT C	B32529C0102J289	1	376491024T
C6002	MKT C	B32529C0102J289	1	376491024T
C6003	MKT C	B32529C0102J289	1	376491024T
C6004	MKT C	B32529C0102J289	1	376491024T
C6005	MKT C	B32529C0102J289	1	376491024T
C6006	MKT C	B32529C0102J289	1	376491024T
C6007	MKT C	B32529C0102J289	1	376491024T
C6008	MKT C	B32529C0102J289	1	376491024T
C6010	UTSP C	CE04W50V 47M(UTSP)	1	397584707AT
C6010 or	UTSP C	CE04W50V 47M(UTSP)	(1)	397584707AT
C6011	UTSP C	CE04W50V 47M(UTSP)	1	397584707AT
C6012	UTSP C	CE04W50V 47M(UTSP)	1	397584707AT
C6013	UTSP C	CE04W50V 47M(UTSP)	1	397584707AT
C6014	UTSP C	CE04W50V 47M(UTSP)	1	397584707AT
C6015	UTSP C	CE04W50V 47M(UTSP)	1	397584707AT
C6016	UTSP C	CE04W50V 47M(UTSP)	1	397584707AT
C6017	UTSP C	CE04W50V 47M(UTSP)	1	397584707AT
C6018	UTSP C	CE04W50V 47M(UTSP)	1	397584707AT
C6020	UTSP C	CE04W50V-22M(UTSP)	1	397582207AT
C6020 or	UTSP C	CE04W50V-22M(UTSP)	(1)	397582207AT
C6021	UTSP C	CE04W50V-22M(UTSP)	1	397582207AT
C6022	UTSP C	CE04W50V-22M(UTSP)	1	397582207AT
C6023	UTSP C	CE04W50V-22M(UTSP)	1	397582207AT
C6024	UTSP C	CE04W50V-22M(UTSP)	1	397582207AT
C6025	UTSP C	CE04W50V-22M(UTSP)	1	397582207AT
C6026	UTSP C	CE04W50V-22M(UTSP)	1	397582207AT
C6027	UTSP C	CE04W50V-22M(UTSP)	1	397582207AT
C6028	UTSP C	CE04W50V-22M(UTSP)	1	397582207AT
C6904	TF C	ECQ-V100V-334J	1	374733344T
C6905	UTSP C	CE04W50V-220M(UTSP)	1	397582217T
C6911	MKT C	B32529C0102J289	1	376491024T
D6902	C-DIODE	DA2J10100	1	223303R2
D6902 or	C-DIODE	1S3352	(1)	223234R2
[RESISTOR]				
R5000	C-CARBON R	RN72K1J-222JE	1	435032224R1
R5001	C-CARBON R	RN72K1J-222JE	1	435032224R1
R5002	C-CARBON R	RN72K1J-222JE	1	435032224R1
R5003	C-CARBON R	RN72K1J-222JE	1	435032224R1
R5004	C-CARBON R	RN72K1J-222JE	1	435032224R1
R5005	C-CARBON R	RN72K1J-222JE	1	435032224R1
R5006	C-CARBON R	RN72K1J-222JE	1	435032224R1
R5007	C-CARBON R	RN72K1J-222JE	1	435032224R1
R5008	C-CARBON R	RN72K1J-222JE	1	435032224R1
R5010	C-CARBON R	RN72K1J-563JE	1	435035634R1
R5011	C-CARBON R	RN72K1J-563JE	1	435035634R1
R5012	C-CARBON R	RN72K1J-563JE	1	435035634R1
R5013	C-CARBON R	RN72K1J-563JE	1	435035634R1
R5014	C-CARBON R	RN72K1J-563JE	1	435035634R1
R5015	C-CARBON R	RN72K1J-563JE	1	435035634R1
R5016	C-CARBON R	RN72K1J-563JE	1	435035634R1
R5017	C-CARBON R	RN72K1J-563JE	1	435035634R1
R5018	C-CARBON R	RN72K1J-563JE	1	435035634R1
R5020	C-CARBON R	RN72K1J-331JE	1	435033314R1
R5021	C-CARBON R	RN72K1J-331JE	1	435033314R1
R5022	C-CARBON R	RN72K1J-331JE	1	435033314R1
R5023	C-CARBON R	RN72K1J-331JE	1	435033314R1
R5024	C-CARBON R	RN72K1J-331JE	1	435033314R1
R5025	C-CARBON R	RN72K1J-331JE	1	435033314R1
R5026	C-CARBON R	RN72K1J-331JE	1	435033314R1
R5027	C-CARBON R	RN72K1J-331JE	1	435033314R1
R5028	C-CARBON R	RN72K1J-331JE	1	435033314R1
R5030	C-CARBON R	RN72K1J-331JE	1	435033314R1
R5031	C-CARBON R	RN72K1J-331JE	1	435033314R1
R5032	C-CARBON R	RN72K1J-331JE	1	435033314R1
R5033	C-CARBON R	RN72K1J-331JE	1	435033314R1
R5034	C-CARBON R	RN72K1J-331JE	1	435033314R1
R5035	C-CARBON R	RN72K1J-331JE	1	435033314R1
R5036	C-CARBON R	RN72K1J-331JE	1	435033314R1
R5037	C-CARBON R	RN72K1J-331JE	1	435033314R1
R5038	C-CARBON R	RN72K1J-331JE	1	435033314R1
R5040	C-CARBON R	RN72K1J-331JE	1	435033314R1

R5145	NF CARBON R	R25J-820	1	415478214T
R5146	NF CARBON R	R25J-820	1	415478214T
R5147	NF CARBON R	R25J-820	1	415478214T
R5148	NF CARBON R	R25J-820	1	415478214T
R5150	METAL O R	RS1/2WBJ-1K	1	443521024T
R5151	METAL O R	RS1/2WBJ-1K	1	443521024T
R5152	METAL O R	RS1/2WBJ-1K	1	443521024T
R5153	METAL O R	RS1/2WBJ-1K	1	443521024T
R5154	METAL O R	RS1/2WBJ-1K	1	443521024T
R5155	METAL O R	RS1/2WBJ-1K	1	443521024T
R5156	METAL O R	RS1/2WBJ-1K	1	443521024T
R5157	METAL O R	RS1/2WBJ-1K	1	443521024T
R5158	METAL O R	RS1/2WBJ-1K	1	443521024T
R5170	NF CARBON R	R25J-820	1	415478214T
R5171	NF CARBON R	R25J-820	1	415478214T
R5172	NF CARBON R	R25J-820	1	415478214T
R5173	NF CARBON R	R25J-820	1	415478214T
R5174	NF CARBON R	R25J-820	1	415478214T
R5175	NF CARBON R	R25J-820	1	415478214T
R5176	NF CARBON R	R25J-820	1	415478214T
R5177	NF CARBON R	R25J-820	1	415478214T
R5178	NF CARBON R	R25J-820	1	415478214T
R5180	NF CARBON R	R25J-33	1	415473304T
R5181	NF CARBON R	R25J-33	1	415473304T
R5182	NF CARBON R	R25J-33	1	415473304T
R5183	NF CARBON R	R25J-33	1	415473304T
R5184	NF CARBON R	R25J-33	1	415473304T
R5185	NF CARBON R	R25J-33	1	415473304T
R5186	NF CARBON R	R25J-33	1	415473304T
R5187	NF CARBON R	R25J-33	1	415473304T
R5188	NF CARBON R	R25J-33	1	415473304T
R5210	NF CARBON R	R25J-18K	1	415471834T
R5211	NF CARBON R	R25J-18K	1	415471834T
R5212	NF CARBON R	R25J-18K	1	415471834T
R5213	NF CARBON R	R25J-22K	1	415472234T
R5214	NF CARBON R	R25J-22K	1	415472234T
R5215	NF CARBON R	R25J-22K	1	415472234T
R5216	NF CARBON R	R25J-22K	1	415472234T
R5217	NF CARBON R	R25J-18K	1	415471834T
R5218	NF CARBON R	R25J-18K	1	415471834T
R5220	NF CARBON R	R25J-18K	1	415471834T
R5221	NF CARBON R	R25J-18K	1	415471834T
R5222	NF CARBON R	R25J-18K	1	415471834T
R5223	NF CARBON R	R25J-22K	1	415472234T
R5224	NF CARBON R	R25J-22K	1	415472234T
R5225	NF CARBON R	R25J-22K	1	415472234T
R5226	NF CARBON R	R25J-22K	1	415472234T
R5227	NF CARBON R	R25J-18K	1	415471834T
R5228	NF CARBON R	R25J-18K	1	415471834T
R5230	NF CARBON R	R25J-15	1	415471504T
R5231	NF CARBON R	R25J-15	1	415471504T
R5232	NF CARBON R	R25J-15	1	415471504T
R5233	NF CARBON R	R25J-15	1	415471504T
R5234	NF CARBON R	R25J-15	1	415471504T
R5235	NF CARBON R	R25J-15	1	415471504T
R5236	NF CARBON R	R25J-15	1	415471504T
R5237	NF CARBON R	R25J-15	1	415471504T
R5238	NF CARBON R	R25J-15	1	415471504T
R5240	NF CARBON R	R25J-15	1	415471504T
R5241	NF CARBON R	R25J-15	1	415471504T
R5242	NF CARBON R	R25J-15	1	415471504T
R5243	NF CARBON R	R25J-15	1	415471504T
R5244	NF CARBON R	R25J-15	1	415471504T
R5245	NF CARBON R	R25J-15	1	415471504T
R5246	NF CARBON R	R25J-15	1	415471504T
R5247	NF CARBON R	R25J-15	1	415471504T
R5248	NF CARBON R	R25J-15	1	415471504T
R5250	NF CARBON R	R25J-56K	1	415475634T
R5251	NF CARBON R	R25J-56K	1	415475634T
R5252	NF CARBON R	R25J-56K	1	415475634T
R5253	NF CARBON R	R25J-56K	1	415475634T
R5254	NF CARBON R	R25J-56K	1	415475634T
R5255	NF CARBON R	R25J-56K	1	415475634T
R5256	NF CARBON R	R25J-56K	1	415475634T
R5257	NF CARBON R	R25J-56K	1	415475634T
R5258	NF CARBON R	R25J-56K	1	415475634T

R5280	METAL O R	RS1/2WBJ-1K	1	443521024T
R5281	METAL O R	RS1/2WBJ-1K	1	443521024T
R5282	METAL O R	RS1/2WBJ-1K	1	443521024T
R5283	METAL O R	RS1/2WBJ-1K	1	443521024T
R5284	METAL O R	RS1/2WBJ-1K	1	443521024T
R5285	METAL O R	RS1/2WBJ-1K	1	443521024T
R5286	METAL O R	RS1/2WBJ-1K	1	443521024T
R5287	METAL O R	RS1/2WBJ-1K	1	443521024T
R5288	METAL O R	RS1/2WBJ-1K	1	443521024T
R5290	C-CARBON R	RN72K1J-104JE	1	435031044R1
R5291	C-CARBON R	RN72K1J-104JE	1	435031044R1
R5292	C-CARBON R	RN72K1J-104JE	1	435031044R1
R5293	C-CARBON R	RN72K1J-104JE	1	435031044R1
R5294	C-CARBON R	RN72K1J-104JE	1	435031044R1
R5295	C-CARBON R	RN72K1J-104JE	1	435031044R1
R5296	C-CARBON R	RN72K1J-104JE	1	435031044R1
R5297	C-CARBON R	RN72K1J-104JE	1	435031044R1
R5298	C-CARBON R	RN72K1J-104JE	1	435031044R1
R5300	NF CARBON R	R25J-220	1	415472214T
R5301	NF CARBON R	R25J-220	1	415472214T
R5302	NF CARBON R	R25J-220	1	415472214T
R5303	NF CARBON R	R25J-330	1	415473314T
R5304	NF CARBON R	R25J-330	1	415473314T
R5305	NF CARBON R	R25J-330	1	415473314T
R5306	NF CARBON R	R25J-330	1	415473314T
R5307	NF CARBON R	R25J-220	1	415472214T
R5308	NF CARBON R	R25J-220	1	415472214T
R5310	NF CARBON R	R25J-220	1	415472214T
R5311	NF CARBON R	R25J-220	1	415472214T
R5312	NF CARBON R	R25J-220	1	415472214T
R5313	NF CARBON R	R25J-330	1	415473314T
R5314	NF CARBON R	R25J-330	1	415473314T
R5315	NF CARBON R	R25J-330	1	415473314T
R5316	NF CARBON R	R25J-330	1	415473314T
R5317	NF CARBON R	R25J-220	1	415472214T
R5318	NF CARBON R	R25J-220	1	415472214T
R5330	NF CARBON R	R25J-220	1	415472214T
R5331	NF CARBON R	R25J-220	1	415472214T
R5332	NF CARBON R	R25J-220	1	415472214T
R5333	NF CARBON R	R25J-330	1	415473314T
R5334	NF CARBON R	R25J-330	1	415473314T
R5335	NF CARBON R	R25J-330	1	415473314T
R5336	NF CARBON R	R25J-330	1	415473314T
R5337	NF CARBON R	R25J-220	1	415472214T
R5338	NF CARBON R	R25J-220	1	415472214T
R5340	NF CARBON R	R25J-220	1	415472214T
R5341	NF CARBON R	R25J-220	1	415472214T
R5342	NF CARBON R	R25J-220	1	415472214T
R5343	NF CARBON R	R25J-330	1	415473314T
R5344	NF CARBON R	R25J-330	1	415473314T
R5345	NF CARBON R	R25J-330	1	415473314T
R5346	NF CARBON R	R25J-330	1	415473314T
R5347	NF CARBON R	R25J-220	1	415472214T
R5348	NF CARBON R	R25J-220	1	415472214T
R6010	C-CARBON R	RN72K1J-562JE	1	435035624R1
R6011	C-CARBON R	RN72K1J-562JE	1	435035624R1
R6012	C-CARBON R	RN72K1J-562JE	1	435035624R1
R6013	C-CARBON R	RN72K1J-562JE	1	435035624R1
R6014	C-CARBON R	RN72K1J-562JE	1	435035624R1
R6015	C-CARBON R	RN72K1J-562JE	1	435035624R1
R6016	C-CARBON R	RN72K1J-562JE	1	435035624R1
R6017	C-CARBON R	RN72K1J-562JE	1	435035624R1
R6018	C-CARBON R	RN72K1J-562JE	1	435035624R1
R6020	C-CARBON R	RN72K1J-392JE	1	435033924R1
R6021	C-CARBON R	RN72K1J-392JE	1	435033924R1
R6022	C-CARBON R	RN72K1J-392JE	1	435033924R1
R6023	C-CARBON R	RN72K1J-392JE	1	435033924R1
R6024	C-CARBON R	RN72K1J-392JE	1	435033924R1
R6025	C-CARBON R	RN72K1J-392JE	1	435033924R1
R6026	C-CARBON R	RN72K1J-392JE	1	435033924R1
R6027	C-CARBON R	RN72K1J-392JE	1	435033924R1
R6028	C-CARBON R	RN72K1J-392JE	1	435033924R1
R6030	C-CARBON R	RN72K1J-152JE	1	435031524R1
R6031	C-CARBON R	RN72K1J-152JE	1	435031524R1
R6032	C-CARBON R	RN72K1J-152JE	1	435031524R1
R6033	C-CARBON R	RN72K1J-152JE	1	435031524R1

R6034	C-CARBON R	RN72K1J-152JE	1	435031524R1
R6035	C-CARBON R	RN72K1J-152JE	1	435031524R1
R6036	C-CARBON R	RN72K1J-152JE	1	435031524R1
R6037	C-CARBON R	RN72K1J-152JE	1	435031524R1
R6038	C-CARBON R	RN72K1J-152JE	1	435031524R1
R6040	TRIM R	N06HR2KBB	1	5211402T
R6041	TRIM R	N06HR2KBB	1	5211402T
R6042	TRIM R	N06HR2KBB	1	5211402T
R6043	TRIM R	N06HR2KBB	1	5211402T
R6044	TRIM R	N06HR2KBB	1	5211402T
R6045	TRIM R	N06HR2KBB	1	5211402T
R6046	TRIM R	N06HR2KBB	1	5211402T
R6047	TRIM R	N06HR2KBB	1	5211402T
R6048	TRIM R	N06HR2KBB	1	5211402T
R6050	C-CARBON R	RN72K1J-272JE	1	435032724R1
R6051	C-CARBON R	RN72K1J-272JE	1	435032724R1
R6052	C-CARBON R	RN72K1J-272JE	1	435032724R1
R6053	C-CARBON R	RN72K1J-272JE	1	435032724R1
R6054	C-CARBON R	RN72K1J-272JE	1	435032724R1
R6055	C-CARBON R	RN72K1J-272JE	1	435032724R1
R6056	C-CARBON R	RN72K1J-272JE	1	435032724R1
R6057	C-CARBON R	RN72K1J-272JE	1	435032724R1
R6058	C-CARBON R	RN72K1J-272JE	1	435032724R1
R6070	NF CARBON R	R25J-82	1	415478204T
R6071	NF CARBON R	R25J-82	1	415478204T
R6072	NF CARBON R	R25J-82	1	415478204T
R6073	NF CARBON R	R25J-82	1	415478204T
R6074	NF CARBON R	R25J-82	1	415478204T
R6075	NF CARBON R	R25J-82	1	415478204T
R6076	NF CARBON R	R25J-82	1	415478204T
R6077	NF CARBON R	R25J-82	1	415478204T
R6078	NF CARBON R	R25J-82	1	415478204T
R6080	C-CARBON R	RN72K2E-100JE	1	435221004R1
R6081	C-CARBON R	RN72K2E-100JE	1	435221004R1
R6082	C-CARBON R	RN72K2E-100JE	1	435221004R1
R6083	C-CARBON R	RN72K2E-100JE	1	435221004R1
R6084	C-CARBON R	RN72K2E-100JE	1	435221004R1
R6085	C-CARBON R	RN72K2E-100JE	1	435221004R1
R6086	C-CARBON R	RN72K2E-100JE	1	435221004R1
R6087	C-CARBON R	RN72K2E-100JE	1	435221004R1
R6088	C-CARBON R	RN72K2E-100JE	1	435221004R1
R6090	C-CARBON R	RN72K2E-100JE	1	435221004R1
R6091	C-CARBON R	RN72K2E-100JE	1	435221004R1
R6092	C-CARBON R	RN72K2E-100JE	1	435221004R1
R6093	C-CARBON R	RN72K2E-100JE	1	435221004R1
R6094	C-CARBON R	RN72K2E-100JE	1	435221004R1
R6095	C-CARBON R	RN72K2E-100JE	1	435221004R1
R6096	C-CARBON R	RN72K2E-100JE	1	435221004R1
R6097	C-CARBON R	RN72K2E-100JE	1	435221004R1
R6098	C-CARBON R	RN72K2E-100JE	1	435221004R1
R6110	C-CARBON R	RN72K1J-103JE	1	435031034R1
R6111	C-CARBON R	RN72K1J-103JE	1	435031034R1
R6112	C-CARBON R	RN72K1J-103JE	1	435031034R1
R6113	C-CARBON R	RN72K1J-103JE	1	435031034R1
R6114	C-CARBON R	RN72K1J-103JE	1	435031034R1
R6115	C-CARBON R	RN72K1J-103JE	1	435031034R1
R6116	C-CARBON R	RN72K1J-103JE	1	435031034R1
R6117	C-CARBON R	RN72K1J-103JE	1	435031034R1
R6118	C-CARBON R	RN72K1J-103JE	1	435031034R1
R6250	NF CARBON R	R25J-220	1	415472214T
R6251	NF CARBON R	R25J-220	1	415472214T
R6252	NF CARBON R	R25J-220	1	415472214T
R6253	NF CARBON R	R25J-220	1	415472214T
R6254	NF CARBON R	R25J-220	1	415472214T
R6255	NF CARBON R	R25J-220	1	415472214T
R6256	NF CARBON R	R25J-220	1	415472214T
R6257	NF CARBON R	R25J-220	1	415472214T
R6258	NF CARBON R	R25J-220	1	415472214T
R6260	NF CARBON R	R25J-220	1	415472214T
R6261	NF CARBON R	R25J-220	1	415472214T
R6262	NF CARBON R	R25J-220	1	415472214T
R6263	NF CARBON R	R25J-220	1	415472214T
R6264	NF CARBON R	R25J-220	1	415472214T
R6265	NF CARBON R	R25J-220	1	415472214T
R6266	NF CARBON R	R25J-220	1	415472214T
R6267	NF CARBON R	R25J-220	1	415472214T

R6268	NF CARBON R	R25J-220	1	415472214T	
R6270	NF CARBON R	R25J-33	1	415473304T	
R6271	NF CARBON R	R25J-33	1	415473304T	
R6272	NF CARBON R	R25J-33	1	415473304T	
R6273	NF CARBON R	R25J-33	1	415473304T	
R6274	NF CARBON R	R25J-33	1	415473304T	
R6275	NF CARBON R	R25J-33	1	415473304T	
R6276	NF CARBON R	R25J-33	1	415473304T	
R6277	NF CARBON R	R25J-33	1	415473304T	
R6278	NF CARBON R	R25J-33	1	415473304T	
R6280	NF CARBON R	R25J-33	1	415473304T	
R6281	NF CARBON R	R25J-33	1	415473304T	
R6282	NF CARBON R	R25J-33	1	415473304T	
R6283	NF CARBON R	R25J-33	1	415473304T	
R6284	NF CARBON R	R25J-33	1	415473304T	
R6285	NF CARBON R	R25J-33	1	415473304T	
R6286	NF CARBON R	R25J-33	1	415473304T	
R6287	NF CARBON R	R25J-33	1	415473304T	
R6288	NF CARBON R	R25J-33	1	415473304T	
R6290	NF CARBON R	R25J-2.2	1	415470224T	
R6291	NF CARBON R	R25J-2.2	1	415470224T	
R6292	NF CARBON R	R25J-2.2	1	415470224T	
R6293	NF CARBON R	R25J-2.2	1	415470224T	
R6294	NF CARBON R	R25J-2.2	1	415470224T	
R6295	NF CARBON R	R25J-2.2	1	415470224T	
R6296	NF CARBON R	R25J-2.2	1	415470224T	
R6297	NF CARBON R	R25J-2.2	1	415470224T	
R6298	NF CARBON R	R25J-2.2	1	415470224T	
R6300	NF CARBON R	R25J-2.2	1	415470224T	
R6301	NF CARBON R	R25J-2.2	1	415470224T	
R6302	NF CARBON R	R25J-2.2	1	415470224T	
R6303	NF CARBON R	R25J-2.2	1	415470224T	
R6304	NF CARBON R	R25J-2.2	1	415470224T	
R6305	NF CARBON R	R25J-2.2	1	415470224T	
R6306	NF CARBON R	R25J-2.2	1	415470224T	
R6307	NF CARBON R	R25J-2.2	1	415470224T	
R6308	NF CARBON R	R25J-2.2	1	415470224T	
R6310	NF CARBON R	R25J-10	1	415471004T	
R6311	NF CARBON R	R25J-10	1	415471004T	
R6312	NF CARBON R	R25J-10	1	415471004T	
R6313	NF CARBON R	R25J-10	1	415471004T	
R6314	NF CARBON R	R25J-10	1	415471004T	
R6315	NF CARBON R	R25J-10	1	415471004T	
R6316	NF CARBON R	R25J-10	1	415471004T	
R6317	NF CARBON R	R25J-10	1	415471004T	
R6318	NF CARBON R	R25J-10	1	415471004T	
R6901	METAL O R	RS1WBJ-100	1	443621014T	
R6902	C-CARBON R	RN72K1J-102JE	1	435031024R1	
R6903	C-CARBON R	RN72K1J-473JE	1	435034734R1	
R6904	METAL R	RNU1/2WCJ-0.22	1	453532294T	
R6905	METAL R	RNU1/2WCJ-0.22	1	453532294T	
[SW TRM]					
F6901C	FUSE HOLDER	SN5051	1	250113	!
F6901D	FUSE HOLDER	SN5051	1	250113	!
F6902C	FUSE HOLDER	SN5051	1	250113	!
F6902D	FUSE HOLDER	SN5051	1	250113	!
P5010A	SOCKET	NSCT-3P2183	1	25052286	
P5011A	SOCKET	NSCT-3P2183	1	25052286	
P5012A	SOCKET	NSCT-3P2183	1	25052286	
P5013A	SOCKET	NSCT-3P2183	1	25052286	
P5014A	SOCKET	NSCT-3P2183	1	25052286	
P5015A	SOCKET	NSCT-3P2183	1	25052286	
P5016A	SOCKET	NSCT-3P2183	1	25052286	
P5017A	SOCKET	NSCT-3P2183	1	25052286	
P5018A	SOCKET	NSCT-3P2183	1	25052286	
P5020A	TRM	NTM-1P233(M1969)	1	25060302	
P5021A	TRM	NTM-1P233(M1969)	1	25060302	
P5022A	TRM	NTM-1P233(M1969)	1	25060302	
P5023A	TRM	NTM-1P233(M1969)	1	25060302	
P5024A	TRM	NTM-1P233(M1969)	1	25060302	
P5025A	TRM	NTM-1P233(M1969)	1	25060302	
P5026A	TRM	NTM-1P233(M1969)	1	25060302	
P5027A	TRM	NTM-1P233(M1969)	1	25060302	
P5028A	TRM	NTM-1P233(M1969)	1	25060302	
P6030B	SOCKET	MSA-9115S-09L	1	25052989	
P6031B	SOCKET	MSA-9115S-09L	1	25052989	

P6032B	SOCKET	MSA-9115S-09L	1	25052989	
P6033B	SOCKET	MSA-9115S-09L	1	25052989	
P6034B	SOCKET	MSA-9115S-09L	1	25052989	
P6035B	SOCKET	MSA-9115S-09L	1	25052989	
P6036B	SOCKET	MSA-9115S-09L	1	25052989	
P6037B	SOCKET	MSA-9115S-09L	1	25052989	
P6038B	SOCKET	MSA-9115S-09L	1	25052989	
P6601A	PLUG	NPLG-3P159	1	25055175	
P6602B	PLUG	NPLG-3P131	1	25055147	
P6950	PLUG	NPLG-5P161	1	25055177	
RL6901	RELAY	NRL-1P10A-DC12-198	1	25065709	
RL6901 or	RELAY	NRL-1P10A-DC12-196	(1)	25065707	
RL6902	RELAY	NRL-1P10A-DC12-198	1	25065709	
RL6902 or	RELAY	NRL-1P10A-DC12-196	(1)	25065707	

U003

BATRM-1394-1A

: NSP

CIRCUIT NO.	PART NAME	DESCRIPTION	Q'TY	PART NO. (SN)	REMARKS
[SEMI CONDUCTOR]					
D6600	C-DIODE	DA2J10100	1	223303R2	
D6600 or	C-DIODE	1SS352	(1)	223234R2	
D6601	C-DIODE	DA2J10100	1	223303R2	
D6601 or	C-DIODE	1SS352	(1)	223234R2	
D6603	C-DIODE	DA2J10100	1	223303R2	
D6603 or	C-DIODE	1SS352	(1)	223234R2	
D6604	C-DIODE	DA2J10100	1	223303R2	
D6604 or	C-DIODE	1SS352	(1)	223234R2	
D6605	C-DIODE	DA2J10100	1	223303R2	
D6605 or	C-DIODE	1SS352	(1)	223234R2	
D6606	C-DIODE	DA2J10100	1	223303R2	
D6606 or	C-DIODE	1SS352	(1)	223234R2	
D6610	C-DIODE	DA2J10100	1	223303R2	
D6610 or	C-DIODE	1SS352	(1)	223234R2	
D9001	DIODE	S1WB(A)60B-7062	1	22380377R2	
D9002	SPCF D	P6SMB200A-M3/52T	1	225505R2	
D9003	DIODE	US1K-E3/61T	1	22380376R2	
D9004	DIODE	RF301B2STL	1	22380374R2	
D9006	DIODE	M1FL20U	1	223276R2	
D9008	DIODE	RB050M-30GTR	1	22380373R2	
D9011	C-DIODE	DA2J10100	1	223303R2	
D9011 or	C-DIODE	1SS352	(1)	223234R2	
D9012	ZENER D	DZ2J360M0L	1	224763600R2	
D9012 or	ZENER D	UDZS36B	(1)	224553600R2	
D9013	SPCF D	P6SMB20A-M3/52	1	225515R2	
D9018	ZENER D	DZ2J200M0L	1	224762000R2	
D9018 or	ZENER D	UDZS20B	(1)	224552000R2	
D9028	C-DIODE	DA2J10100	1	223303R2	
D9205	DIODE	D3SBA60	1	22380272F	
D9306	ZENER D	DZ2J220M0L	1	224762200R2	
D9306 or	ZENER D	UDZS22B	(1)	224552200R2	
D9310	ZENER D	DZ2J220M0L	1	224762200R2	
D9310 or	ZENER D	UDZS22B	(1)	224552200R2	
D9312	DIODE	RL1N4003	1	22380260T	
D9313	DIODE	RL1N4003	1	22380260T	
D9314	DIODE	RL1N4003	1	22380260T	
D9315	DIODE	RL1N4003	1	22380260T	
Q6601	TR	DTC123JKA	1	2216690R2	
Q6602	TR	DTC123JKA	1	2216690R2	
Q6603	TR	DTC123JKA	1	2216690R2	
Q6604	TR	DTC123JKA	1	2216690R2	
Q6605	TR	DTC123JKA	1	2216690R2	
Q6606	TR	DTC123JKA	1	2216690R2	
Q6607	TR	DTC123JKA	1	2216690R2	
Q6608	TR	2SC2881-Y(TE12L,CF)	1	2217564R2	
Q7510	TR	KRC102S	1	2216190R2	
Q7511	TR	KRC102S	1	2216190R2	
Q9001	IC	STR-A6051M	1	222154	
Q9002	IC	EL816MX	1	22242845	
Q9002 or	IC	PC123X8YFZ0F	(1)	22242771	
Q9002 or	IC	PS2561DL1-1Y-A(Q)	(1)	22242794	
Q9003	IC	EL816MX	1	22242845	
Q9003 or	IC	PC123X8YFZ0F	(1)	22242771	
Q9003 or	IC	PS2561DL1-1Y-A(Q)	(1)	22242794	

Q9004	IC	KIA431A-AT/P	1	22242770T	
Q9005	TR	KRC102S	1	2216190R2	
Q9005 or	TR	RN1402	(1)	2214470R2	
Q9006	TR	DTC123JKA	1	2216690R2	
Q9202	IC	79M15HF(NJM79M15FA)	1	222790155JRC	
Q9202A	SCREW	3P+6FN(3BC)	1	82143006GR	
Q9203	IC	78M15HF(NJM78M15FA)	1	222780155JRC	
Q9203A	HEAT SINK	(RAD-255)	1	27160647	
Q9203B	SCREW	3P+6FN(3BC)	1	82143006GR	
Q9301	TR	2SC2881-Y(TE12L,CF)	1	2217564R2	
[TRANS COIL]					
L9001	CHOKE COIL	EM-UT2014-0033	1	231474	N
L9002	CHOKE COIL	RCR1010NP-100M	1	231449M100	
L9004	CORE	BLM18PG181SN1D	1	2350005R1	
L9005	CORE	BLM18PG181SN1D	1	2350005R1	
T9001	P TRANS	NPT-1633S	1	2302077	!
T9001 or	P TRANS	NPT-1632S	(1)	2302076	!
[CAPACITOR]					
C6600	C-CERA C	CK725B1H-103K1	1	332101035R1	
C6601	C-CERA C	CK725B1H-103K1	1	332101035R1	
C6602	C-CERA C	CK725B1H-103K1	1	332101035R1	
C6603	C-CERA C	CK725B1H-103K1	1	332101035R1	
C6604	C-CERA C	CK725B1H-103K1	1	332101035R1	
C6605	C-CERA C	CK725B1H-103K1	1	332101035R1	
C6606	C-CERA C	CK725B1H-103K1	1	332101035R1	
C6607	UTSP C	CE04W50V-10M(UTSP)	1	397581007AT	
C6608	VR C	CE04W35V-470M(VR)	1	394664717T	
C6639	MKT C	B32529C0472J289	1	376494724T	
C6640	MKT C	B32529C0472J289	1	376494724T	
C6641	MKT C	B32529C0472J289	1	376494724T	
C6642	MKT C	B32529C0472J289	1	376494724T	
C6643	MKT C	B32529C0472J289	1	376494724T	
C6644	MKT C	B32529C0472J289	1	376494724T	
C6645	MKT C	B32529C0472J289	1	376494724T	
C6646	MKT C	B32529C0472J289	1	376494724T	
C6647	MKT C	B32529C0472J289	1	376494724T	
C6648	MKT C	B32529C0472J289	1	376494724T	
C6649	MKT C	B32529C0472J289	1	376494724T	
C6650	MKT C	B32529C0102J289	1	376491024T	
C6651	MKT C	B32529C0102J289	1	376491024T	
C6652	MKT C	B32529C0102J289	1	376491024T	
C6653	MKT C	B32529C0102J289	1	376491024T	
C6654	MKT C	B32529C0102J289	1	376491024T	
C6655	MKT C	B32529C0102J289	1	376491024T	
C6656	MKT C	B32529C0102J289	1	376491024T	
C6657	MKT C	B32529C0102J289	1	376491024T	
C6658	MKT C	B32529C0102J289	1	376491024T	
C6659	MKT C	B32529C0102J289	1	376491024T	
C6660	MKT C	B32529C0102J289	1	376491024T	
C9001	IS C	LE104-MX-C3.5	1	3800049S	!
C9002	ELECT C	CE04W200V-100M(KXJ)	1	3500233S	
C9003	PW C	CE04W50V-10M(PW)	1	393781007T	
C9004	PW C	CE04W25V-1000M(PW)	1	393751027S	
C9006	PW C	CE04W25V-470M(PW)	1	393754717T	
C9009	C-CERA C	GRM31A7U3D220JW31D	1	3300071R1	
C9010	IS C	DE1E3KX102MB4BL01	1	3300066S	!
C9011	C-CERA C	CK725B1C-104K1	1	332121045R1	
C9012	IS C	LE103-C3.5	1	3800042S	!
C9012 or	IS C	RE275V-103M	(1)	3500196S	!
C9012 or	IS C	ECQU2A103MLC	(1)	3800039S	!
C9013	UTSP C	CE04W25V-220M(UTSP)	1	397552217T	
C9014	C-CERA C	CK725B1H-103K1	1	332101035R1	
C9015	C-CERA C	CK725F1E-104Z1	1	332161040R1	
C9016	C-CERA C	CK725B1H-332K1	1	332103325R1	
C9018	IS C	LE104-MX-C3.5	1	3800049S	!
C9019	IS C	DE1E3KX102MB4BL01	1	3300066S	!
C9020	IS C	DE1E3KX102MB4BL01	1	3300066S	!
C9023	C-CERA C	CK725F1E-104Z1	1	332161040R1	
C9024	C-CERA C	CK725F1E-104Z1	1	332161040R1	
C9026	C-CERA C	CK725F1E-104Z1	1	332161040R1	
C9200	VR C	CE04W35V-2200M(VR)	1	394662227S	
C9201	VR C	CE04W35V-2200M(VR)	1	394662227S	
C9204	UTSP C	CE04W25V-100M(UTSP)	1	397551017AT	
C9205	UTSP C	CE04W25V-100M(UTSP)	1	397551017AT	
C9206	TF C	ECQ-V50V-334J	1	374723344T	
C9207	TF C	ECQ-V50V-334J	1	374723344T	

C9304	VR C	CE04W63V-47M(VR)	1	394674707T	
C9305	VR C	CE04W50V-47M(VR)	1	394684707T	
C9306	TF C	ECQ-V50V-223J	1	374722234T	
[RESISTOR]					
R6601	METAL O R	RS1/2WBJ-220	1	443522214T	
R6691	METAL O R	RS1/2WBJ-390	1	443523914T	
R6692	METAL O R	RS1/2WBJ-390	1	443523914T	
R7585	METAL O R	RS1WBJ-4.7K	1	443624724T	
R7586	METAL O R	RS1WBJ-4.7K	1	443624724T	
R7587	METAL O R	RS1WBJ-4.7K	1	443624724T	
R7588	C-CARBON R	RN72K1J-103JE	1	435031034R1	
R9002	C-CARBON R	RN72K1J-000JE	1	435030004R1	
R9003	C-CARBON R	RN72K1J-332JE	1	435033324R1	
R9006	C-CARBON R	RN72K1J-392JE	1	435033924R1	
R9007	C-CARBON R	RN72K1J-273FE	1	435032732R1	
R9008	C-CARBON R	RN72K1J-822JE	1	435038224R1	
R9009	C-CARBON R	RN72K1J-103JE	1	435031034R1	
R9010	METAL O R	RS1/2WBJ-68	1	443526804T	
R9011	NF CARBON R	R25J-22	1	415472204T	
R9012	C-CARBON R	RN72K1J-271JE	1	435032714R1	
R9013	C-CARBON R	RN72K1J-000JE	1	435030004R1	
R9014	METAL R	RNU1WCJ-1	1	453630104T	
R9015	METAL O R	RS1/2WBJ-150	1	443521514T	
R9017	C-CARBON R	RN72K1J-332JE	1	435033324R1	
R9018	C-CARBON R	RN72K1J-182JE	1	435031824R1	
R9022	C-CARBON R	RN72K1J-152JE	1	435031524R1	
R9023	C-CARBON R	KTR18EZPF6803	1	435236842R1	
R9024	C-CARBON R	KTR18EZPF6803	1	435236842R1	
R9025	C-CARBON R	KTR18EZPF6803	1	435236842R1	
R9038	METAL O R	RS1/2WBJ-150	1	443521514T	
R9200	METAL R	RNU1WCJ-1	1	453630104T	
R9201	METAL R	RNU1WCJ-1	1	453630104T	
R9305	C-CARBON R	RN72K1J-562JE	1	435035624R1	
R9307	C-CARBON R	RN72K1J-333JE	1	435033334R1	
R9308	METAL R	RNU1/2WCJ-0.1	1	453531094T	
R9310	METAL O R	RS1/2WBJ-33	1	443523304T	
[SW TRM]					
F9001	FUSE	T1A-SEUL-T250V	1	252997T	I
F9002A	FUSE HOLDER	SN5051	1	250113	I
F9002B	FUSE HOLDER	SN5051	1	250113	I
P1008A	SOCKET	IMSA-9142S-14A	1	25053229	
P1009A	SOCKET	IMSA-9142S-14A	1	25053229	
P4103	SOCKET AS	NSAS-5P-2239	1	2009991426UL	N
P4103A	WIRE HOL	NSCT-5P876	1	25051089	
P6600	PLUG	NPLG-9P491	1	25055516	
P6601A	SOCKET	IMSA-9142S-24A	1	25053234	
P6603B	PLUG	NPLG-11P493	1	25055518	
P6604	SOCKET AS	NSAS-7P2125	1	2009991314UL	
P6604A	WIRE HOL	NSCT-7P878	1	25051091	
P6604B	PLUG	NPLG-7P135	1	25055151	
P6605A	SOCKET	IMSA-9142S-22A	1	25053233	
P6606B	PLUG	NPLG-9P356	1	25055373	
P6607A	WIRE HOL	NSCT-3P874	1	25051087	
P6607B	WIRE HOL	NSCT-3P874	1	25051087	
P6610	TRM	NTM-2PDMCR400	1	25060472	
P6611	TRM-423(SCREW)	NEJITANSI ST3	1	25060495	
P6612	TRM-423(SCREW)	NEJITANSI ST3	1	25060495	
P6630	TRM	NTM-2PDMCR400	1	25060472	
P6631	TRM	NTM-2PDMCR400	1	25060472	
P6632	TRM	NTM-2PDMCR400	1	25060472	
P6633	TRM	NTM-2PDMCR400	1	25060472	
P6634	TRM	NTM-2PDMCR400	1	25060472	
P6635	TRM	NTM-2PDMCR400	1	25060472	
P6636	TRM	NTM-2PDMCR400	1	25060472	
P6637	TRM	NTM-2PDMCR400	1	25060472	
P6638	TRM	NTM-2PDMCR400	1	25060472	
P6639	TRM	NTM-2PDMCR400	1	25060472	
P9001A	PLUG	NPLG-2P631	1	25055675	
P9002	PLUG	NPLG-2P631	1	25055675	
P9004	RETAINER	(TRM-PS)	1	27142287	
P901	SOCKET AS	NSAS-7P2127	1	2009991316UL	
P901A	WIRE HOL	NSCT-7P878	1	25051091	
P9200	PLUG	NPLG-3P117	1	25055133	
P9301A	PLUG	NPLG-6P120	1	25055136	
P9303B	PLUG	NPLG-5P133	1	25055149	
P9925	SOCKET AS	NSAS-5P2110	1	2009991299UL	

P9925A	WIRE HOL	NSCT-5P876	1	25051089	
RL6600	RELAY	NRL-2P5A-DC24-193	1	25065703	
RL6600 or	RELAY	NRL-2P5A-DC24-129	(1)	25065563A	
RL6600 or	RELAY	NRL-2P8A-DC24-144	(1)	25065590	
RL6600 or	RELAY	NRL-2P8A-DC24-201	(1)	25065718	
RL6601	RELAY	NRL-2P5A-DC24-193	1	25065703	
RL6601 or	RELAY	NRL-2P5A-DC24-129	(1)	25065563A	
RL6601 or	RELAY	NRL-2P8A-DC24-144	(1)	25065590	
RL6601 or	RELAY	NRL-2P8A-DC24-201	(1)	25065718	
RL6602	RELAY	NRL-2P5A-DC24-193	1	25065703	
RL6602 or	RELAY	NRL-2P5A-DC24-129	(1)	25065563A	
RL6602 or	RELAY	NRL-2P8A-DC24-144	(1)	25065590	
RL6602 or	RELAY	NRL-2P8A-DC24-201	(1)	25065718	
RL6603	RELAY	NRL-2P5A-DC24-193	1	25065703	
RL6603 or	RELAY	NRL-2P5A-DC24-129	(1)	25065563A	
RL6603 or	RELAY	NRL-2P8A-DC24-144	(1)	25065590	
RL6603 or	RELAY	NRL-2P8A-DC24-201	(1)	25065718	
RL6604	RELAY	NRL-2P5A-DC24-193	1	25065703	
RL6604 or	RELAY	NRL-2P5A-DC24-129	(1)	25065563A	
RL6604 or	RELAY	NRL-2P8A-DC24-144	(1)	25065590	
RL6604 or	RELAY	NRL-2P8A-DC24-201	(1)	25065718	
RL6605	RELAY	NRL-2P5A-DC24-193	1	25065703	
RL6605 or	RELAY	NRL-2P5A-DC24-129	(1)	25065563A	
RL6605 or	RELAY	NRL-2P8A-DC24-144	(1)	25065590	
RL6605 or	RELAY	NRL-2P8A-DC24-201	(1)	25065718	
RL6606	RELAY	NRL-2P5A-DC24-193	1	25065703	
RL6606 or	RELAY	NRL-2P5A-DC24-129	(1)	25065563A	
RL6606 or	RELAY	NRL-2P8A-DC24-144	(1)	25065590	
RL6606 or	RELAY	NRL-2P8A-DC24-201	(1)	25065718	
RL9001	RELAY	NRL-1P10A-DC9-186	1	25065683	!
RL9002	RELAY	NRL-1P10A-DC9-186	1	25065683	!

U004

BAVD-1152-2A

: NSP

CIRCUIT NO.	PART NAME	DESCRIPTION	Q'TY	PART NO. (SN)	REMARKS
	[SEMI CONDUCTOR]				
D2001	DIODE	D3SBA60	1	22380272F	
D2003	ZENER D	UDZS5.6B	1	224550560R2	
D2003 or	ZENER D	MAZ8056-M	(1)	224750562R2	
D2005	C-DIODE	DA2J10100	1	223303R2	
D2005 or	C-DIODE	1SS352	(1)	223234R2	
D2006	C-DIODE	DA2J10100	1	223303R2	
D2006 or	C-DIODE	1SS352	(1)	223234R2	
D2007	ZENER D	UDZS5.6B	1	224550560R2	
D2007 or	ZENER D	MAZ8056-M	(1)	224750562R2	
D2008	C-DIODE	DA2J10100	1	223303R2	
D2008 or	C-DIODE	1SS352	(1)	223234R2	
D2009	DIODE	RB050M-30GTR	1	22380373R2	
D2010	DIODE	D5SBA60	1	22380070	
D2010A	HEAT SINK	RAD-083	1	27160271	
D2011	DIODE	RB050M-30GTR	1	22380373R2	
D2012	C-DIODE	DA2J10100	1	223303R2	
D2012 or	C-DIODE	1SS352	(1)	223234R2	
D2100	DIODE	RL1N4003	1	22380260T	
D2700	SPCF D	SIR-34ST3F	1	225456	
D2702	C-DIODE	DA2J10100	1	223303R2	
D2702 or	C-DIODE	1SS352	(1)	223234R2	
D2703	C-DIODE	DA2J10100	1	223303R2	
D2703 or	C-DIODE	1SS352	(1)	223234R2	
D2704	C-DIODE	DA2J10100	1	223303R2	
D2704 or	C-DIODE	1SS352	(1)	223234R2	
D2705	C-DIODE	DA2J10100	1	223303R2	
D2705 or	C-DIODE	1SS352	(1)	223234R2	
D2708	DIODE	RL1N4003	1	22380260T	
Q101	IC	NE5532APSR	1	22242283R2	
Q102	IC	78M05HF(NJM78M05DL1A-TE1)	1	222780055R2JR	
Q2000	IC	TRS3221ECPWR	1	22242805R2	
Q2001	IC	MP2303ADN-LF-Z	1	22242785R2	
Q2100	IC	NJW1325	1	22242596R3	
Q2101	IC	NJM2505AF	1	22242490R2	
Q2700	TR	2SA965-Y(TPE6_F)	1	2211644T	
Q2701	TR	KRC102S	1	2216190R2	
Q2702	TR	2SA1162-GR	1	2214375R2	

Q2703	TR	KRC102S	1	2216190R2	
[CHASSIS SCREW]					
D2010B	SCREW	3P+6FN(3BC)	1	82143006GR	
[TRANS COIL]					
L101	CHOKE COIL	LBC2518T100M	1	231364M100R2	
L2000	CHOKE COIL	LBC2518T470M	1	231364M470R2	
L2001	CHOKE COIL	BLM21PG221SN1	1	230949R2	
L2003	CHOKE COIL	C6-K5RA-10UH	1	231451P100R2	
L2004	CHOKE COIL	BLM21PG221SN1	1	230949R2	
L2100	CHOKE COIL	LBC2518T4R7M	1	231364M047R2	
L2702	EMIFIL	BK1608LM182-T	1	230958R1	
L2703	EMIFIL	BK1608LM182-T	1	230958R1	
U2700	REMO SENS	IRM-3638M3S28	1	24130026	
[CAPACITOR]					
C101	UTSP C	CE04W50V-22M(UTSP)	1	397582207AT	
C102	UTSP C	CE04W25V-100M(UTSP)	1	397551017AT	
C104	C-CERA C	CC725CH1H-101J1	1	342101014R1	
C107	C-CERA C	CC725CH1H-101J1	1	342101014R1	
C108	C-CERA C	CC725CH1H-101J1	1	342101014R1	
C109	C-CERA C	CC725CH1H-101J1	1	342101014R1	
C112	UTSP C	CE04W25V-100M(UTSP)	1	397551017AT	
C114	UTSP C	CE04W50V-22M(UTSP)	1	397582207AT	
C116	UTSP C	CE04W10V-100M(UTSP)	1	397531017AT	
C118	C-CERA C	CK725F1E-104Z1	1	332161040R1	
C119	UTSP C	CE04W25V-47M(UTSP)	1	397554707AT	
C122	C-CERA C	CC725CH1H-101J1	1	342101014R1	
C125	C-CERA C	CK725F1E-104Z1	1	332161040R1	
C126	C-CERA C	CC725CH1H-470J1	1	342104704R1	
C127	C-CERA C	CC725CH1H-470J1	1	342104704R1	
C128	C-CERA C	CK725F1E-104Z1	1	332161040R1	
C2000	UTSP C	CE04W50V-1M(UTSP)	1	397580107AT	
C2001	UTSP C	CE04W50V-1M(UTSP)	1	397580107AT	
C2002	UTSP C	CE04W50V-1M(UTSP)	1	397580107AT	
C2003	C-CERA C	CK725B1H-102K1	1	332101025R1	
C2004	UTSP C	CE04W50V-1M(UTSP)	1	397580107AT	
C2005	UTSP C	CE04W10V-100M(UTSP)	1	397531017AT	
C2006	C-CERA C	CK725F1E-104Z1	1	332161040R1	
C2007	C-CERA C	CK725B1H-103K1	1	332101035R1	
C2008	C-CERA C	CK725F1E-104Z1	1	332161040R1	
C2009	C-CERA C	CK725F1E-104Z1	1	332161040R1	
C2010	UTSP C	CE04W10V-100M(UTSP)	1	397531017AT	
C2011	C-CERA C	CK725F1A-105Z1	1	332181050R1	
C2012	C-CERA C	CK732B16V-106K	1	332071065R2	
C2013	C-CERA C	CK732B16V-106K	1	332071065R2	
C2014	C-CERA C	CK732B16V-106K	1	332071065R2	
C2015	C-CERA C	CK725B1E-106K	1	332221065R2	
C2016	C-CERA C	CK725B1E-106K	1	332221065R2	
C2017	TF C	ECQ-V50V-334J	1	374723344T	
C2018	VR C	CE04W16V-4700M(VR)	1	394644727S	
C2019	UTSP C	CE04W50V-4.7M(UTSP)	1	397580477AT	
C2020	TF C	ECQ-V50V-334J	1	374723344T	
C2021	ELECT C	CE04W18V-10000M(VZ)	1	3945H1037S	
C2106	UTSP C	CE04W50V-2.2M(UTSP)	1	397580227AT	N
C2108	UTSP C	CE04W50V-2.2M(UTSP)	1	397580227AT	N
C2110	C-CERA C	CK725B1H-102K1	1	332101025R1	
C2111	C-CERA C	CK725F1E-104Z1	1	332161040R1	
C2114	UTSP C	CE04W50V-2.2M(UTSP)	1	397580227AT	N
C2117	UTSP C	CE04W50V-1M(UTSP)	1	397580107AT	
C2118	UTSP C	CE04W50V-2.2M(UTSP)	1	397580227AT	N
C2119	UTSP C	CE04W25V-47M(UTSP)	1	397554707AT	
C2120	C-CERA C	CK725F1E-104Z1	1	332161040R1	
C2122	VR C	CE04W6.3V-470M(VR)	1	394624717T	
C2123	VR C	CE04W6.3V-470M(VR)	1	394624717T	
C2126	C-CERA C	CC725CH1H-151J1	1	342101514R1	
C2127	UTSP C	CE04W25V-47M(UTSP)	1	397554707AT	
C2128	C-CERA C	CK725F1E-104Z1	1	332161040R1	
C2129	C-CERA C	CK725B1H-102K1	1	332101025R1	
C2130	VR C	CE04W6.3V-470M(VR)	1	394624717T	
C2131	VR C	CE04W6.3V-470M(VR)	1	394624717T	
C2132	UTSP C	CE04W25V-47M(UTSP)	1	397554707AT	
C2134	UTSP C	CE04W50V-2.2M(UTSP)	1	397580227AT	N
C2135	VR C	CE04W6.3V-470M(VR)	1	394624717T	
C2137	VR C	CE04W6.3V-470M(VR)	1	394624717T	
C2138	UTSP C	CE04W25V-47M(UTSP)	1	397554707AT	
C2139	C-CERA C	CK725F1E-104Z1	1	332161040R1	
C2140	UTSP C	CE04W25V-47M(UTSP)	1	397554707AT	

C2141	C-CERA C	CK725F1E-104Z1	1	332161040R1	
C2142	UTSP C	CE04W50V-2.2M(UTSP)	1	397580227AT	N
C2144	UTSP C	CE04W25V-47M(UTSP)	1	397554707AT	
C2145	C-CERA C	CK725F1E-104Z1	1	332161040R1	
C2147	C-CERA C	CK725F1E-104Z1	1	332161040R1	
C2148	UTSP C	CE04W25V-47M(UTSP)	1	397554707AT	
C2149	C-CERA C	CK725F1E-104Z1	1	332161040R1	
C2150	UTSP C	CE04W50V-2.2M(UTSP)	1	397580227AT	N
C2152	C-CERA C	CK725B1H-102K1	1	332101025R1	
C2153	UTSP C	CE04W50V-2.2M(UTSP)	1	397580227AT	N
C2154	UTSP C	CE04W25V-47M(UTSP)	1	397554707AT	
C2155	C-CERA C	CK725F1E-104Z1	1	332161040R1	
C2158	UTSP C	CE04W50V-2.2M(UTSP)	1	397580227AT	N
C2159	VR C	CE04W6.3V-470M(VR)	1	394624717T	
C2161	VR C	CE04W6.3V-470M(VR)	1	394624717T	
C2162	UTSP C	CE04W50V-2.2M(UTSP)	1	397580227AT	N
C2165	UTSP C	CE04W50V-1M(UTSP)	1	397580107AT	
C2167	UTSP C	CE04W25V-47M(UTSP)	1	397554707AT	
C2168	C-CERA C	CK725F1E-104Z1	1	332161040R1	
C2169	C-CERA C	CK725F1E-104Z1	1	332161040R1	
C2170	UTSP C	CE04W25V-47M(UTSP)	1	397554707AT	
C2173	C-CERA C	CK725F1E-104Z1	1	332161040R1	
C2174	UTSP C	CE04W50V-10M(UTSP)	1	397581007AT	
C2175	VR C	CE04W6.3V-470M(VR)	1	394624717T	
C2176	VR C	CE04W6.3V-470M(VR)	1	394624717T	
C2179	C-CERA C	CK732B16V-106K	1	332071065R2	
C2180	C-CERA C	CC725CH1H-470J1	1	342104704R1	
C2181	C-CERA C	CC725CH1H-470J1	1	342104704R1	
C2182	C-CERA C	CK725B1H-102K1	1	332101025R1	
C2700	UTSP C	CE04W10V-100M(UTSP)	1	397531017AT	
C2701	C-CERA C	CC725CH1H-101J1	1	342101014R1	
C2704	C-CERA C	CC725CH1H-101J1	1	342101014R1	
C2705	C-CERA C	CK725B1H-102K1	1	332101025R1	
C2709	C-CERA C	CK725B1H-102K1	1	332101025R1	
C2710	C-CERA C	CK725F1E-104Z1	1	332161040R1	
[RESISTOR]					
R101	C-CARBON R	RN72K1J-000JE	1	435030004R1	
R103	C-CARBON R	RN72K1J-000JE	1	435030004R1	
R105	C-CARBON R	RN72K1J-000JE	1	435030004R1	
R106	C-CARBON R	RN72K1J-473JE	1	435034734R1	
R107	C-CARBON R	RN72K1J-102JE	1	435031024R1	
R109	C-CARBON R	RN72K1J-473JE	1	435034734R1	
R110	C-CARBON R	RN72K1J-224JE	1	435032244R1	
R111	C-CARBON R	RN72K1J-473JE	1	435034734R1	
R112	C-CARBON R	RN72K1J-473JE	1	435034734R1	
R114	C-CARBON R	RN72K1J-473JE	1	435034734R1	
R115	C-CARBON R	RN72K1J-224JE	1	435032244R1	
R116	C-CARBON R	RN72K1J-473JE	1	435034734R1	
R117	C-CARBON R	RN72K1J-473JE	1	435034734R1	
R118	C-CARBON R	RN72K1J-102JE	1	435031024R1	
R119	C-CARBON R	RN72K1J-473JE	1	435034734R1	
R122	C-CARBON R	RN72K1J-000JE	1	435030004R1	
R123	METAL O R	RS1WBJ-220	1	443622214T	
R124	C-CARBON R	RN72K1J-333JE	1	435033334R1	
R125	METAL O R	RS1WBJ-100	1	443621014T	
R128	C-CARBON R	RN72K1J-000JE	1	435030004R1	
R129	C-CARBON R	RN72K1J-103JE	1	435031034R1	
R132	C-CARBON R	RN72K1J-220JE	1	435032204R1	
R133	C-CARBON R	RN72K1J-220JE	1	435032204R1	
R2000	C-CARBON R	RN72K1J-331JE	1	43503314R1	
R2001	C-CARBON R	RN72K1J-331JE	1	43503314R1	
R2002	C-CARBON R	RN72K1J-331JE	1	43503314R1	
R2003	C-CARBON R	RN72K1J-331JE	1	43503314R1	
R2004	C-CARBON R	RN72K1J-103JE	1	435031034R1	
R2005	C-CARBON R	RN72K1J-103JE	1	435031034R1	
R2006	C-CARBON R	RN72K1J-103JE	1	435031034R1	
R2008	C-CARBON R	RN72K1J-823FE	1	435038232R1	
R2009	C-CARBON R	RN72K1J-334FE	1	435033342R1	
R2010	C-CARBON R	RN72K1J-273JE	1	435032734R1	
R2011	C-CARBON R	RN72K1J-104JE	1	435031044R1	
R2012	C-CARBON R	RN72K1J-103FE	1	435031032R1	
R2013	C-CARBON R	RN72K1J-183JE	1	435031834R1	
R2016	C-CARBON R	RN72K1J-103JE	1	435031034R1	
R2017	C-CARBON R	RN72K2E-000JE	1	435220004R1	
R2018	C-CARBON R	RN72K2E-000JE	1	435220004R1	
R2019	C-CARBON R	RN72K1J-000JE	1	435030004R1	

R2020	C-CARBON R	RN72K1J-000JE	1	435030004R1	
R2021	C-CARBON R	RN72K1J-000JE	1	435030004R1	
R2026	C-CARBON R	RN72K1J-103JE	1	435031034R1	
R2027	C-CARBON R	RN72K1J-103JE	1	435031034R1	
R2107	C-CARBON R	RN72K1J-000JE	1	435030004R1	
R2108	C-CARBON R	RN72K1J-000JE	1	435030004R1	
R2109	C-CARBON R	RN72K1J-000JE	1	435030004R1	
R2110	C-CARBON R	RN72K1J-000JE	1	435030004R1	
R2111	C-CARBON R	RN72K1J-750JE	1	435037504R1	
R2112	C-CARBON R	RN72K1J-750JE	1	435037504R1	
R2116	C-CARBON R	RN72K1J-103JE	1	435031034R1	
R2117	C-CARBON R	RN72K1J-104JE	1	435031044R1	
R2118	C-CARBON R	RN72K1J-104JE	1	435031044R1	
R2119	C-CARBON R	RN72K1J-101JE	1	435031014R1	
R2120	C-CARBON R	RN72K1J-392JE	1	435033924R1	
R2124	C-CARBON R	RN72K1J-682JE	1	435036824R1	
R2125	C-CARBON R	RN72K1J-750JE	1	435037504R1	
R2126	C-CARBON R	RN72K1J-750JE	1	435037504R1	
R2127	C-CARBON R	RN72K1J-750JE	1	435037504R1	
R2129	C-CARBON R	RN72K1J-104JE	1	435031044R1	
R2130	C-CARBON R	RN72K1J-222JE	1	435032224R1	
R2131	C-CARBON R	RN72K1J-222JE	1	435032224R1	
R2132	C-CARBON R	RN72K1J-101JE	1	435031014R1	
R2133	C-CARBON R	RN72K1J-101JE	1	435031014R1	
R2134	C-CARBON R	RN72K1J-101JE	1	435031014R1	
R2135	C-CARBON R	RN72K1J-750JE	1	435037504R1	
R2136	C-CARBON R	RN72K1J-750JE	1	435037504R1	
R2137	C-CARBON R	RN72K1J-750JE	1	435037504R1	
R2138	C-CARBON R	RN72K1J-750JE	1	435037504R1	
R2139	C-CARBON R	RN72K1J-750JE	1	435037504R1	
R2140	C-CARBON R	RN72K1J-750JE	1	435037504R1	
R2141	C-CARBON R	RN72K1J-750JE	1	435037504R1	
R2142	C-CARBON R	RN72K1J-104JE	1	435031044R1	
R2143	C-CARBON R	RN72K1J-392JE	1	435033924R1	
R2144	C-CARBON R	RN72K1J-750JE	1	435037504R1	
R2146	C-CARBON R	RN72K1J-104JE	1	435031044R1	
R2147	C-CARBON R	RN72K1J-101JE	1	435031014R1	
R2148	C-CARBON R	RN72K1J-682JE	1	435036824R1	
R2149	C-CARBON R	RN72K1J-104JE	1	435031044R1	
R2150	C-CARBON R	RN72K1J-104JE	1	435031044R1	
R2151	C-CARBON R	RN72K1J-220JE	1	435032204R1	
R2154	C-CARBON R	RN72K1J-750JE	1	435037504R1	
R2155	C-CARBON R	RN72K1J-220JE	1	435032204R1	
R2156	C-CARBON R	RN72K1J-104JE	1	435031044R1	
R2700	C-CARBON R	RN72K1J-101JE	1	435031014R1	
R2701	C-CARBON R	RN72K1J-102JE	1	435031024R1	
R2702	C-CARBON R	RN72K1J-082JE	1	435030824R1	
R2703	C-CARBON R	RN72K1J-224JE	1	435032244R1	
R2704	C-CARBON R	RN72K1J-102JE	1	435031024R1	
R2705	C-CARBON R	RN72K1J-220JE	1	435032204R1	
R2707	C-CARBON R	RN72K1J-224JE	1	435032244R1	
R2708	C-CARBON R	RN72K1J-102JE	1	435031024R1	
R2710	C-CARBON R	RN72K1J-101JE	1	435031014R1	
R2714	C-CARBON R	RN72K1J-000JE	1	435030004R1	
R2715	C-CARBON R	RN72K1J-000JE	1	435030004R1	
R2716	C-CARBON R	RN72K1J-000JE	1	435030004R1	
R2718	C-CARBON R	RN72K1J-000JE	1	435030004R1	
R2724	C-CARBON R	RN72K1J-000JE	1	435030004R1	
R2728	C-CARBON R	RN72K1J-082JE	1	435030824R1	
[SW TRM]					
F2000A	FUSE HOL	NSCT-1P2031	1	25052133T	I
F2000B	FUSE HOL	NSCT-1P2031	1	25052133T	!
F2002A	FUSE HOL	NSCT-1P2031	1	25052133T	I
F2002B	FUSE HOL	NSCT-1P2031	1	25052133T	!
P101B	SOCKET	NSCT-9P2102	1	25052205	
P101C	PLUG	NPLG-5P918	1	25055965R2	
P2000	SOCKET	MDS-09P-V-01(DSUB9P)	1	25053363	
P2000C	PLUG	NPLG-9P922	1	25055969R2	N
P2001A	PLUG	IMSA-9142B-16A	1	25056598	
P2002A	PLUG	IMSA-9142B-18A	1	25056599	
P2003	PLUG	NPLG-5P119	1	25055135	
P2005	RETAINER	(PC-HOLD)	1	27142149	
P2100	SOCKET AS	NSAS-5P2109	1	2009991298UL	
P2100A	WIRE HOL	NSCT-5P876	1	25051089	
P2101A	SOCKET	NSCT-21P2412	1	25052515	
P2102	PIN JACK	NPJ-9PDGLRGLRGLR563	1	25045781	

P2104	TRM-423(SCREW)	NEJITANSI ST3	1	25060495
P2105	PIN JACK	NPJ-3PDYYY560	1	25045778
P2106	PIN JACK	NPJ-2PDYY679	1	25045911
P2700	ST JACK	HSJ1002-01-6020	1	25045647
P2702	ST JACK	HSJ1002-01-6020	1	25045647
P9000C	PLUG	NPLG-7P920	1	25055967R2

U005

BADG-1401-1F

: NSP

CIRCUIT NO.	PART NAME	DESCRIPTION	Q'TY	PART NO. (SN)	REMARKS
[SEMI CONDUCTOR]					
D4040	ZENER D	DZ2J075M0L	1	224760750R2	
D4040 or	ZENER D	UDZS7.5B	(1)	224550750R2	
D4041	ZENER D	DZ2J075M0L	1	224760750R2	
D4041 or	ZENER D	UDZS7.5B	(1)	224550750R2	
D4191	ZENER D	DZ2J075M0L	1	224760750R2	
D4191 or	ZENER D	UDZS7.5B	(1)	224550750R2	
D4192	ZENER D	DZ2J075M0L	1	224760750R2	
D4192 or	ZENER D	UDZS7.5B	(1)	224550750R2	
D4391	ZENER D	DZ2J075M0L	1	224760750R2	
D4391 or	ZENER D	UDZS7.5B	(1)	224550750R2	
D4392	ZENER D	DZ2J075M0L	1	224760750R2	
D4392 or	ZENER D	UDZS7.5B	(1)	224550750R2	
D4901	ZENER D	DZ2J130M0L	1	224761300R2	
D4901 or	ZENER D	UDZS13B	(1)	224551300R2	
D4902	ZENER D	DZ2J130M0L	1	224761300R2	
D4902 or	ZENER D	UDZS13B	(1)	224551300R2	
D7001	C-DIODE	DA2J10100	1	223303R2	
D7001 or	C-DIODE	1SS352	(1)	223234R2	
D7002	C-DIODE	DA2J10100	1	223303R2	
D7002 or	C-DIODE	1SS352	(1)	223234R2	
D7003	C-DIODE	DA2J10100	1	223303R2	
D7003 or	C-DIODE	1SS352	(1)	223234R2	
Q1001	IC	PL123-05SI-R	1	22242876R2	N
Q1002	IC	TC7SZU04FU	1	22242512R2TO	
Q1100	IC	PCM1789PWR	1	22242645R2	
Q1101	IC	PCM1789PWR	1	22242645R2	
Q1250	IC	NJM4580M-D	1	22241448R2	
Q1301	IC	TA4805BF(TE16L NQ)	1	22278005DBR2TO	
Q1302	IC	NJM2855DL1-33	1	22278033QR2JR	
Q1303	IC	TA4805BF(TE16L NQ)	1	22278005DBR2TO	
Q1311	IC	PCM9211PTR	1	22242703R2	
Q1325	IC	TC74HCU04AF	1	222740046R2TO	
Q1421	IC	PCM1690DCAR	1	22242599R2	
Q1601	IC	NJM4580M-D	1	22241448R2	
Q1602	IC	NJM4580M-D	1	22241448R2	
Q1603	IC	NJM4580M-D	1	22241448R2	
Q1604	IC	NJM4580M-D	1	22241448R2	
Q1605	IC	NJM4580M-D	1	22241448R2	
Q1800	IC	NJM4580M-D	1	22241448R2	
Q1801	IC	NJM4580M-D	1	22241448R2	
Q4031	IC	NJM4580M-D	1	22241448R2	
Q4101	IC	R2A15220FP	1	22242600R3	
Q4111	IC	NJM4580M-D	1	22241448R2	
Q4131	IC	NJM4580M-D	1	22241448R2	
Q4141	IC	NJM4580M-D	1	22241448R2	
Q4142	IC	NJM4580M-D	1	22241448R2	
Q4161	IC	NJM4580M-D	1	22241448R2	
Q4162	IC	NJM4580M-D	1	22241448R2	
Q4191	TR	2SC2712-GR	1	2213145R2	
Q4192	TR	2SA1162-GR	1	2214375R2	
Q4193	TR	2SA1488-Y	1	2203394	
Q4194	TR	2SC3851-Y	1	2203384	
Q4301	IC	R2A15220FP	1	22242600R3	
Q4321	IC	NJM4580M-D	1	22241448R2	
Q4341	IC	NJM4580M-D	1	22241448R2	
Q4342	IC	NJM4580M-D	1	22241448R2	
Q4391	TR	2SC2712-GR	1	2213145R2	
Q4392	TR	2SA1162-GR	1	2214375R2	
Q4393	TR	2SA1488-Y	1	2203394	
Q4394	TR	2SC3851-Y	1	2203384	
Q4504	IC	NJM4580M-D	1	22241448R2	
Q4515	TR	RTAN430C-T112-1	1	2217780R2	

Q4515 or	TR	RN1441	(1)	2215410R2
Q4517	TR	RTAN430C-T112-1	1	2217780R2
Q4517 or	TR	RN1441	(1)	2215410R2
Q4520	TR	RTAN430C-T112-1	1	2217780R2
Q4520 or	TR	RN1441	(1)	2215410R2
Q4521	TR	RTAN430C-T112-1	1	2217780R2
Q4521 or	TR	RN1441	(1)	2215410R2
Q4600	TR	RTAN430C-T112-1	1	2217780R2
Q4600 or	TR	RN1441	(1)	2215410R2
Q4601	TR	RTAN430C-T112-1	1	2217780R2
Q4601 or	TR	RN1441	(1)	2215410R2
Q4602	TR	RTAN430C-T112-1	1	2217780R2
Q4602 or	TR	RN1441	(1)	2215410R2
Q4603	TR	RTAN430C-T112-1	1	2217780R2
Q4603 or	TR	RN1441	(1)	2215410R2
Q4604	TR	RTAN430C-T112-1	1	2217780R2
Q4604 or	TR	RN1441	(1)	2215410R2
Q4605	TR	RTAN430C-T112-1	1	2217780R2
Q4605 or	TR	RN1441	(1)	2215410R2
Q4606	TR	RTAN430C-T112-1	1	2217780R2
Q4606 or	TR	RN1441	(1)	2215410R2
Q4607	TR	RTAN430C-T112-1	1	2217780R2
Q4607 or	TR	RN1441	(1)	2215410R2
Q4616	TR	RTAN430C-T112-1	1	2217780R2
Q4616 or	TR	RN1441	(1)	2215410R2
Q4620	TR	RTAN430C-T112-1	1	2217780R2
Q4620 or	TR	RN1441	(1)	2215410R2
Q4621	TR	RTAN430C-T112-1	1	2217780R2
Q4621 or	TR	RN1441	(1)	2215410R2
Q4622	TR	RTAN430C-T112-1	1	2217780R2
Q4622 or	TR	RN1441	(1)	2215410R2
Q4623	TR	RTAN430C-T112-1	1	2217780R2
Q4623 or	TR	RN1441	(1)	2215410R2
Q4624	TR	RTAN430C-T112-1	1	2217780R2
Q4624 or	TR	RN1441	(1)	2215410R2
Q4625	TR	RTAN430C-T112-1	1	2217780R2
Q4625 or	TR	RN1441	(1)	2215410R2
Q4628	TR	RTAN430C-T112-1	1	2217780R2
Q4628 or	TR	RN1441	(1)	2215410R2
Q4629	TR	RTAN430C-T112-1	1	2217780R2
Q4629 or	TR	RN1441	(1)	2215410R2
Q4630	TR	RTAN430C-T112-1	1	2217780R2
Q4630 or	TR	RN1441	(1)	2215410R2
Q4631	TR	RTAN430C-T112-1	1	2217780R2
Q4631 or	TR	RN1441	(1)	2215410R2
Q4640	TR	RTAN430C-T112-1	1	2217780R2
Q4640 or	TR	RN1441	(1)	2215410R2
Q4641	TR	RTAN430C-T112-1	1	2217780R2
Q4641 or	TR	RN1441	(1)	2215410R2
Q4901	TR	2SC2712-GR	1	2213145R2
Q4902	TR	2SA1162-GR	1	2214375R2
Q4903	TR	2SA1488-Y	1	2203394
Q4903A	RADIATOR	RAD-51	1	27160145
Q4904	TR	2SC3851-Y	1	2203384
Q4904A	RADIATOR	RAD-51	1	27160145
Q7001	IC	BU33TD3WG-TR	1	22242715R2
Q7002	TR	KRC104S	1	2216210R2
Q7002 or	TR	RN1404	(1)	2214490R2
Q7003	TR	KRA102S	1	2216220R2
Q7003 or	TR	RN2402	(1)	2214530R2
Q7004	IC	SN74CB3Q3305PWR	1	22242258R2
Q7007	TR	KRC104S	1	2216210R2
Q7007 or	TR	RN1404	(1)	2214490R2
Q7008	TR	KRA102S	1	2216220R2
Q7008 or	TR	RN2402	(1)	2214530R2
Q7010	TR	KRA107S	1	2216350R2
Q7010 or	TR	RN2407(TE85L_F)	(1)	2216360R2
Q7011	TR	KRC102S	1	2216190R2
Q7011 or	TR	RN1402	(1)	2214470R2
Q7012	TR	KRA107S	1	2216350R2
Q7012 or	TR	RN2407(TE85L_F)	(1)	2216360R2
Q7013	IC	BU33TD3WG-TR	1	22242715R2
Q7014	TR	KRC102S	1	2216190R2
Q7014 or	TR	RN1402	(1)	2214470R2
Q7015	TR	KRC104S	1	2216210R2
Q7015 or	TR	RN1404	(1)	2214490R2

Q7016	TR	KRA102S	1	2216220R2
Q7016 or	TR	RN2402	(1)	2214530R2
Q7017	TR	KRC104S	1	2216210R2
Q7017 or	TR	RN1404	(1)	2214490R2
Q7018	TR	KRA102S	1	2216220R2
Q7018 or	TR	RN2402	(1)	2214530R2
Q7019	TR	KRC104S	1	2216210R2
Q7019 or	TR	RN1404	(1)	2214490R2
Q7020	TR	KRA102S	1	2216220R2
Q7020 or	TR	RN2402	(1)	2214530R2
Q7021	TR	KRC104S	1	2216210R2
Q7021 or	TR	RN1404	(1)	2214490R2
Q7022	IC(MAIN)	MPD70F3477AGJA-GAE-G(0635)	1	222W0117R306350
Q7024	TR	KRA102S	1	2216220R2
Q7024 or	TR	RN2402	(1)	2214530R2
Q7025	TR	KRC104S	1	2216210R2
Q7025 or	TR	RN1404	(1)	2214490R2
Q7026	TR	KRA102S	1	2216220R2
Q7026 or	TR	RN2402	(1)	2214530R2
Q7028	TR	KRC104S	1	2216210R2
Q7028 or	TR	RN1404	(1)	2214490R2
Q7029	TR	KRA102S	1	2216220R2
Q7029 or	TR	RN2402	(1)	2214530R2
Q7030	TR	KRC104S	1	2216210R2
Q7030 or	TR	RN1404	(1)	2214490R2
Q7031	TR	KRA102S	1	2216220R2
Q7031 or	TR	RN2402	(1)	2214530R2
Q7032	TR	KRC104S	1	2216210R2
Q7032 or	TR	RN1404	(1)	2214490R2
Q7033	TR	KRA102S	1	2216220R2
Q7033 or	TR	RN2402	(1)	2214530R2
Q7034	IC	BR25S640FJ	1	22242761R2
Q7034 or	IC	R1EX25064ASA00A	(1)	22242581R2
Q7034 or	IC	M95640-WMN6TP	(1)	22242643R2
Q7035	IC	NJU7706F27A3	1	22242614R2
Q7036	TR	KRC104S	1	2216210R2
Q7036 or	TR	RN1404	(1)	2214490R2
Q7037	TR	KRA102S	1	2216220R2
Q7037 or	TR	RN2402	(1)	2214530R2
[CHASSIS SCREW]				
Q4903B	SCREW	3P+6FN(3BC)	1	82143006GR
Q4904B	SCREW	3P+6FN(3BC)	1	82143006GR
[TRANS COIL]				
L1001	CHOKE COIL	LBC2518T470M	1	231364M470R2
L1002	CORE	MMZ1608Y601BT	1	2350004R1
L1004	EMIFIL	BK1608LL241-T	1	230959R1
L1100	CHOKE COIL	LBC2518T4R7M	1	231364M047R2
L1101	CHOKE COIL	LBC2518T4R7M	1	231364M047R2
L1102	CHOKE COIL	LBC2518T4R7M	1	231364M047R2
L1103	CHOKE COIL	LBC2518T4R7M	1	231364M047R2
L1104	CHOKE COIL	LBC2518T4R7M	1	231364M047R2
L1105	CHOKE COIL	LBC2518T4R7M	1	231364M047R2
L1106	CHOKE COIL	LBC2518T4R7M	1	231364M047R2
L1110	EMIFIL	BK1608LM182-T	1	230958R1
L1111	EMIFIL	BK1608LL241-T	1	230959R1
L1112	C-CARBON R	RN72K1J-000JE	1	435030004R1
L1305	CHOKE COIL	LBC2518T2R2M	1	231364M022R2
L1307	CHOKE COIL	LBC2518T2R2M	1	231364M022R2
L1308	CHOKE COIL	LBC2518T2R2M	1	231364M022R2
L1312	CHOKE COIL	LBC2518T470M	1	231364M470R2
L1313	CHOKE COIL	LBC2518T470M	1	231364M470R2
L1319	CHOKE COIL	LBC2518T470M	1	231364M470R2
L1323	EMIFIL	BK1608HS102-T	1	230955R2
L1324	EMIFIL	BK1608HS102-T	1	230955R2
L1325	EMIFIL	BK1608HS102-T	1	230955R2
L1404	CHOKE COIL	LBC2518T4R7M	1	231364M047R2
L1407	CHOKE COIL	LBC2518T4R7M	1	231364M047R2
X1001	CRYSTAL	HC-49SMD11.2896MHz	1	3010480R2
X1100	CRYSTAL	HC-49S 9C24.5760M	1	3010516R2
X7001	CERA LOCK	CSTCR5M00G53-B0	1	3010356R2
[CAPACITOR]				
C1001	C-CERA C	CK732B16V-106K	1	332071065R2
C1002	C-CERA C	CK725F1E-104Z1	1	332161040R1
C1004	C-CERA C	CK725F1E-104Z1	1	332161040R1
C1008	C-CERA C	CC725CH1H-120J1	1	342101204R1
C1009	C-CERA C	CC725CH1H-120J1	1	342101204R1

C1100	C-CERA C	CK725F1E-104Z1	1	332161040R1
C1101	C-CERA C	CC725CH1H-180J1	1	342101804R1
C1102	C-CERA C	CC725CH1H-180J1	1	342101804R1
C1103	UTSP C	CE04W10V-470M(UTSP)	1	397534717T
C1104	C-CERA C	CK725B1H-473K1	1	332104735R1
C1105	C-CERA C	CK725B1H-223K1	1	332102235R1
C1106	UTSJ C	CE04W25V-47M(UTSJ)	1	398054707BT N
C1107	C-CERA C	CK725F1E-104Z1	1	332161040R1
C1108	UTSP C	CE04W10V-470M(UTSP)	1	397534717T
C1109	C-CERA C	CK725B1H-472K1	1	332104725R1
C1110	UTSP C	CE04W10V-470M(UTSP)	1	397534717T
C1113	C-CERA C	CK725F1E-104Z1	1	332161040R1
C1116	C-CERA C	CC725CH1H-330J1	1	342103304R1
C1117	C-CERA C	CC725CH1H-330J1	1	342103304R1
C1119	C-CERA C	CC725CH1H-221J1	1	342102214R1
C1122	C-CERA C	CK725F1E-104Z1	1	332161040R1
C1125	C-CERA C	CC725CH1H-330J1	1	342103304R1
C1140	UTSJ C	CE04W25V-47M(UTSJ)	1	398054707BT
C1141	UTSJ C	CE04W50V-47M(UTSJ)	1	398084707BT
C1230	C-CERA C	CC725CH1H-221J1	1	342102214R1
C1231	C-CERA C	CC725CH1H-221J1	1	342102214R1
C1303	UTSP C	CE04W50V 47M(UTSP)	1	397584707AT
C1305	VR C	CE04W16V-100M(VR)	1	394641017T
C1307	UTSP C	CE04W50V 47M(UTSP)	1	397584707AT
C1310	VR C	CE04W16V-100M(VR)	1	394641017T
C1333	UTSP C	CE04W50V 47M(UTSP)	1	397584707AT
C1335	VR C	CE04W16V-100M(VR)	1	394641017T
C1365	C-CERA C	CK725F1E-104Z1	1	332161040R1
C1366	C-CERA C	CC725CH1H-101J1	1	342101014R1
C1368	C-CERA C	CC725CH1H-101J1	1	342101014R1
C1370	UTSP C	CE04W10V-470M(UTSP)	1	397534717T
C1375	C-CERA C	CK725F1E-104Z1	1	332161040R1
C1380	C-CERA C	CK725F1E-104Z1	1	332161040R1
C1381	C-CERA C	CC725CH1H-101J1	1	342101014R1
C1390	UTSP C	CE04W10V-470M(UTSP)	1	397534717T
C1400	C-CERA C	CK725F1E-104Z1	1	332161040R1
C1408	C-CERA C	CC725CH1H-080D1	1	342100802R1
C1409	C-CERA C	CC725CH1H-080D1	1	342100802R1
C1415	C-CERA C	CK725F1E-104Z1	1	332161040R1
C1417	C-CERA C	CK725F1E-104Z1	1	332161040R1
C1419	C-CERA C	CC725CH1H-080D1	1	342100802R1
C1421	UTSP C	CE04W10V-220M(UTSP)	1	397532217AT
C1422	C-CERA C	CC725CH1H-221J1	1	342102214R1
C1423	UTSP C	CE04W10V-470M(UTSP)	1	397534717T
C1425	C-FILM C	50ST104MA13216	1	376721047R2
C1426	UTSJ C	CE04W25V-47M(UTSJ)	1	398054707BT N
C1427	C-FILM C	50ST104MA13216	1	376721047R2
C1428	C-FILM C	50ST104MA13216	1	376721047R2
C1429	UTSP C	CE04W10V-470M(UTSP)	1	397534717T
C1440	UTSP C	CE04W10V-470M(UTSP)	1	397534717T
C1450	UTSP C	CE04W10V-470M(UTSP)	1	397534717T
C1454	C-FILM C	50ST104MA13216	1	376721047R2
C1455	C-FILM C	50ST104MA13216	1	376721047R2
C1456	C-FILM C	50ST104MA13216	1	376721047R2
C1460	MKT C	B32529C0102J289	1	376491024T
C1461	MKT C	B32529C0102J289	1	376491024T
C1464	C-FILM C	50ST104MA13216	1	376721047R2
C1465	C-FILM C	50ST104MA13216	1	376721047R2
C1466	C-FILM C	50ST104MA13216	1	376721047R2
C1470	UPZ C	2AUPZTF101JE	1	376331014T
C1471	UPZ C	2AUPZTF101JE	1	376331014T
C1480	UPZ C	2AUPZTF101JE	1	376331014T
C1481	UPZ C	2AUPZTF101JE	1	376331014T
C1499	UTSP C	CE04W10V-100M(UTSP)	1	397531017AT
C1600	MKT C	B32529C0102J289	1	376491024T
C1601	MKT C	B32529C0102J289	1	376491024T
C1602	MKT C	B32529C0102J289	1	376491024T
C1603	MKT C	B32529C0102J289	1	376491024T
C1604	MKT C	B32529C0102J289	1	376491024T
C1605	MKT C	B32529C0102J289	1	376491024T
C1606	MKT C	B32529C0102J289	1	376491024T
C1607	MKT C	B32529C0102J289	1	376491024T
C1608	MKT C	B32529C0102J289	1	376491024T
C1609	MKT C	B32529C0102J289	1	376491024T
C1610	UPZ C	2AUPZTF101JE	1	376331014T
C1611	UPZ C	2AUPZTF101JE	1	376331014T

C1612	UPZ C	2AUPZTF101JE	1	376331014T
C1613	UPZ C	2AUPZTF101JE	1	376331014T
C1614	UPZ C	2AUPZTF101JE	1	376331014T
C1615	UPZ C	2AUPZTF101JE	1	376331014T
C1616	UPZ C	2AUPZTF101JE	1	376331014T
C1617	UPZ C	2AUPZTF101JE	1	376331014T
C1618	UPZ C	2AUPZTF101JE	1	376331014T
C1619	UPZ C	2AUPZTF101JE	1	376331014T
C1620	UPZ C	2AUPZTF101JE	1	376331014T
C1621	UPZ C	2AUPZTF101JE	1	376331014T
C1622	UPZ C	2AUPZTF101JE	1	376331014T
C1623	UPZ C	2AUPZTF101JE	1	376331014T
C1624	UPZ C	2AUPZTF101JE	1	376331014T
C1625	UPZ C	2AUPZTF101JE	1	376331014T
C1626	UPZ C	2AUPZTF101JE	1	376331014T
C1627	UPZ C	2AUPZTF101JE	1	376331014T
C1628	UPZ C	2AUPZTF101JE	1	376331014T
C1629	UPZ C	2AUPZTF101JE	1	376331014T
C1650	UTSP C	CE04W25V-470M(UTSP)	1	397554717T
C1651	UTSP C	CE04W25V-470M(UTSP)	1	397554717T
C1800	UTSP C	CE04W25V-47M(UTSP)	1	397554707AT
C1801	UTSP C	CE04W25V-47M(UTSP)	1	397554707AT
C1802	UMXR C	1HUMXRTF102JE	1	376521024T
C1802 or	MKT C	B32529C0102J289	(1)	376491024T
C1803	UMXR C	1HUMXRTF102JE	1	376521024T
C1803 or	MKT C	B32529C0102J289	(1)	376491024T
C1804	UPZ C	2AUPZTF221JE	1	376332214T
C1805	UPZ C	2AUPZTF221JE	1	376332214T
C1810	UTSP C	CE04W25V-47M(UTSP)	1	397554707AT
C1811	UTSP C	CE04W25V-47M(UTSP)	1	397554707AT
C1825	C-CERA C	CK725F1E-104Z1	1	332161040R1
C1826	C-CERA C	CK725F1E-104Z1	1	332161040R1
C1827	C-CERA C	CK725F1E-104Z1	1	332161040R1
C1828	C-CERA C	CK725F1E-104Z1	1	332161040R1
C4001	UPZ C	2AUPZTF221JE	1	376332214T
C4002	UPZ C	2AUPZTF221JE	1	376332214T
C4003	C-CERA C	CC725CH1H-221J1	1	342102214R1
C4004	C-CERA C	CC725CH1H-221J1	1	342102214R1
C4005	C-CERA C	CC725CH1H-221J1	1	342102214R1
C4006	C-CERA C	CC725CH1H-221J1	1	342102214R1
C4007	C-CERA C	CC725CH1H-221J1	1	342102214R1
C4008	C-CERA C	CC725CH1H-221J1	1	342102214R1
C4009	C-CERA C	CC725CH1H-221J1	1	342102214R1
C4010	C-CERA C	CC725CH1H-221J1	1	342102214R1
C4011	C-CERA C	CC725CH1H-221J1	1	342102214R1
C4012	C-CERA C	CC725CH1H-221J1	1	342102214R1
C4031	C-CERA C	CC725CH1H-102J1	1	342101024R1
C4032	C-CERA C	CC725CH1H-102J1	1	342101024R1
C4033	UTSP C	CE04W50V-47M(UTSP)	1	397584707AT
C4034	UTSP C	CE04W50V-47M(UTSP)	1	397584707AT
C4035	C-CERA C	CC725CH1H-102J1	1	342101024R1
C4036	C-CERA C	CC725CH1H-102J1	1	342101024R1
C4037	UTSP C	CE04W25V-220M(UTSP)	1	397552217T
C4038	UTSP C	CE04W25V-220M(UTSP)	1	397552217T
C4039	MKT C	B32529C0332J289	1	376493324T
C4040	MKT C	B32529C0332J289	1	376493324T
C4041	UPZ C	2AUPZTF151JE	1	376331514T
C4042	UPZ C	2AUPZTF151JE	1	376331514T
C4043	UPZ C	2AUPZTF471JE	1	376334714T
C4044	UPZ C	2AUPZTF471JE	1	376334714T
C4045	UTSP C	CE04W50V-10M(UTSP)	1	397581007AT
C4046	UTSP C	CE04W50V-10M(UTSP)	1	397581007AT
C4047	C-CERA C	CC725CH1H-102J1	1	342101024R1
C4048	C-CERA C	CC725CH1H-102J1	1	342101024R1
C4049	UTSP C	CE04W25V-220M(UTSP)	1	397552217T
C4050	UTSP C	CE04W25V-220M(UTSP)	1	397552217T
C4051	TF C	ECQ-V50V-123J	1	374721234T
C4052	TF C	ECQ-V50V-123J	1	374721234T
C4053	C-CERA C	CC725CH1H-102J1	1	342101024R1
C4101	UTSP C	CE04W25V-220M(UTSP)	1	397552217T
C4102	UTSP C	CE04W25V-220M(UTSP)	1	397552217T
C4103	UTSP C	CE04W25V-220M(UTSP)	1	397552217T
C4104	UTSP C	CE04W25V-220M(UTSP)	1	397552217T
C4105	UTSP C	CE04W25V-220M(UTSP)	1	397552217T
C4106	UTSP C	CE04W25V-220M(UTSP)	1	397552217T
C4107	UTSP C	CE04W25V-220M(UTSP)	1	397552217T

C4108	UTSP C	CE04W25V-220M(UTSP)	1	397552217T
C4111	UTSP C	CE04W50V 47M(UTSP)	1	397584707AT
C4112	UTSP C	CE04W50V 47M(UTSP)	1	397584707AT
C4113	UTSP C	CE04W50V 47M(UTSP)	1	397584707AT
C4114	UTSP C	CE04W50V 47M(UTSP)	1	397584707AT
C4115	C-CERA C	CC725CH1H-101J1	1	342101014R1
C4116	C-CERA C	CC725CH1H-101J1	1	342101014R1
C4117	UTSP C	CE04W50V 47M(UTSP)	1	397584707AT
C4118	UTSP C	CE04W50V 47M(UTSP)	1	397584707AT
C4121	C-CERA C	CC725CH1H-102J1	1	342101024R1
C4122	C-CERA C	CC725CH1H-102J1	1	342101024R1
C4125	UTSP C	CE04W50V-22M(UTSP)	1	397582207AT
C4126	UTSP C	CE04W50V-22M(UTSP)	1	397582207AT
C4127	CHIP ELECT C	CEWX50V-10M	1	398181007R2
C4128	CHIP ELECT C	CEWX50V-10M	1	398181007R2
C4131	UTSP C	CE04W50V 47M(UTSP)	1	397584707AT
C4132	UTSP C	CE04W50V 47M(UTSP)	1	397584707AT
C4133	UTSP C	CE04W50V 47M(UTSP)	1	397584707AT
C4134	UTSP C	CE04W50V 47M(UTSP)	1	397584707AT
C4135	UTSP C	CE04W25V-220M(UTSP)	1	397552217T
C4136	UTSP C	CE04W25V-220M(UTSP)	1	397552217T
C4143	UTSP C	CE04W50V 47M(UTSP)	1	397584707AT
C4144	UTSP C	CE04W50V 47M(UTSP)	1	397584707AT
C4163	UTSP C	CE04W50V-10M(UTSP)	1	397581007AT
C4164	UTSP C	CE04W50V-10M(UTSP)	1	397581007AT
C4165	UTSP C	CE04W50V 47M(UTSP)	1	397584707AT
C4166	UTSP C	CE04W50V-10M(UTSP)	1	397581007AT
C4167	UTSP C	CE04W50V-10M(UTSP)	1	397581007AT
C4168	TF C	ECQ-V50V-224J	1	374722244T
C4169	UTSP C	CE04W50V 47M(UTSP)	1	397584707AT
C4170	UTSP C	CE04W50V-1M(UTSP)	1	397580107AT
C4191	UTSP C	CE04W16V-470M(UTSP)	1	397544717T
C4192	UTSP C	CE04W16V-470M(UTSP)	1	397544717T
C4193	UTSP C	CE04W50V-22M(UTSP)	1	397582207AT
C4194	UTSP C	CE04W50V-22M(UTSP)	1	397582207AT
C4201	UTSP C	CE04W50V 47M(UTSP)	1	397584707AT
C4202	UTSP C	CE04W50V 47M(UTSP)	1	397584707AT
C4203	UTSP C	CE04W50V 47M(UTSP)	1	397584707AT
C4204	UTSP C	CE04W50V 47M(UTSP)	1	397584707AT
C4205	UTSP C	CE04W50V 47M(UTSP)	1	397584707AT
C4206	UTSP C	CE04W50V 47M(UTSP)	1	397584707AT
C4207	UTSP C	CE04W50V 47M(UTSP)	1	397584707AT
C4208	UTSP C	CE04W50V 47M(UTSP)	1	397584707AT
C4209	UTSP C	CE04W50V 47M(UTSP)	1	397584707AT
C4210	UTSP C	CE04W50V 47M(UTSP)	1	397584707AT
C4211	UTSP C	CE04W50V 47M(UTSP)	1	397584707AT
C4212	UTSP C	CE04W50V 47M(UTSP)	1	397584707AT
C4213	UTSP C	CE04W50V 47M(UTSP)	1	397584707AT
C4214	UTSP C	CE04W50V 47M(UTSP)	1	397584707AT
C4301	UTSP C	CE04W50V 47M(UTSP)	1	397584707AT
C4302	UTSP C	CE04W50V 47M(UTSP)	1	397584707AT
C4303	TF C	ECQ-V50V-224J	1	374722244T
C4304	TF C	ECQ-V50V-473J	1	374724734T
C4305	TF C	ECQ-V50V-223J	1	374722234T
C4306	TF C	ECQ-V50V-224J	1	374722244T
C4307	TF C	ECQ-V50V-473J	1	374724734T
C4308	TF C	ECQ-V50V-223J	1	374722234T
C4309	UTSP C	CE04W25V-220M(UTSP)	1	397552217T
C4310	UTSP C	CE04W25V-220M(UTSP)	1	397552217T
C4311	UTSP C	CE04W25V-220M(UTSP)	1	397552217T
C4312	UTSP C	CE04W25V-220M(UTSP)	1	397552217T
C4313	UTSP C	CE04W25V-220M(UTSP)	1	397552217T
C4314	UTSP C	CE04W25V-220M(UTSP)	1	397552217T
C4315	UTSP C	CE04W25V-220M(UTSP)	1	397552217T
C4316	UTSP C	CE04W25V-220M(UTSP)	1	397552217T
C4317	UTSP C	CE04W50V 47M(UTSP)	1	397584707AT
C4318	UTSP C	CE04W50V 47M(UTSP)	1	397584707AT
C4321	UTSP C	CE04W50V 47M(UTSP)	1	397584707AT
C4322	UTSP C	CE04W50V 47M(UTSP)	1	397584707AT
C4323	UTSP C	CE04W50V 47M(UTSP)	1	397584707AT
C4324	UTSP C	CE04W50V 47M(UTSP)	1	397584707AT
C4325	UTSP C	CE04W50V 47M(UTSP)	1	397584707AT
C4326	UTSP C	CE04W50V 47M(UTSP)	1	397584707AT
C4327	UTSP C	CE04W25V-220M(UTSP)	1	397552217T
C4328	UTSP C	CE04W25V-220M(UTSP)	1	397552217T
C4343	UTSP C	CE04W50V 47M(UTSP)	1	397584707AT

C4344	UTSP C	CE04W50V 47M(UTSP)	1	397584707AT
C4345	UTSP C	CE04W50V 47M(UTSP)	1	397584707AT
C4346	UTSP C	CE04W50V 47M(UTSP)	1	397584707AT
C4391	UTSP C	CE04W16V-470M(UTSP)	1	397544717T
C4392	UTSP C	CE04W16V-470M(UTSP)	1	397544717T
C4393	UTSP C	CE04W50V-22M(UTSP)	1	397582207AT
C4394	UTSP C	CE04W50V-22M(UTSP)	1	397582207AT
C4530	C-CERA C	CC725CH1H-331J1	1	342103314R1
C4531	C-CERA C	CC725CH1H-331J1	1	342103314R1
C4532	C-CERA C	CC725CH1H-331J1	1	342103314R1
C4533	C-CERA C	CC725CH1H-331J1	1	342103314R1
C4534	C-CERA C	CC725CH1H-331J1	1	342103314R1
C4535	C-CERA C	CC725CH1H-331J1	1	342103314R1
C4536	C-CERA C	CC725CH1H-221J1	1	342102214R1
C4537	C-CERA C	CC725CH1H-221J1	1	342102214R1
C4538	C-CERA C	CC725CH1H-221J1	1	342102214R1
C4539	C-CERA C	CC725CH1H-221J1	1	342102214R1
C4540	C-CERA C	CC725CH1H-221J1	1	342102214R1
C4541	C-CERA C	CC725CH1H-221J1	1	342102214R1
C4542	C-CERA C	CC725CH1H-221J1	1	342102214R1
C4543	C-CERA C	CC725CH1H-221J1	1	342102214R1
C4544	C-CERA C	CC725CH1H-221J1	1	342102214R1
C4545	C-CERA C	CC725CH1H-221J1	1	342102214R1
C4600	UTSP C	CE04W50V 47M(UTSP)	1	397584707AT
C4601	UTSP C	CE04W50V 47M(UTSP)	1	397584707AT
C4602	UTSP C	CE04W50V 47M(UTSP)	1	397584707AT
C4603	UTSP C	CE04W50V 47M(UTSP)	1	397584707AT
C4604	UTSP C	CE04W50V 47M(UTSP)	1	397584707AT
C4605	UTSP C	CE04W50V 47M(UTSP)	1	397584707AT
C4606	UTSP C	CE04W50V-22M(UTSP)	1	397582207AT
C4607	UTSP C	CE04W50V 47M(UTSP)	1	397584707AT
C4608	UTSP C	CE04W50V 47M(UTSP)	1	397584707AT
C4609	UTSP C	CE04W50V 47M(UTSP)	1	397584707AT
C4610	UTSP C	CE04W50V 47M(UTSP)	1	397584707AT
C4611	UTSP C	CE04W50V 47M(UTSP)	1	397584707AT
C4612	UTSP C	CE04W50V 47M(UTSP)	1	397584707AT
C4613	UTSP C	CE04W50V 47M(UTSP)	1	397584707AT
C4614	UTSP C	CE04W50V 47M(UTSP)	1	397584707AT
C4615	UTSP C	CE04W50V 47M(UTSP)	1	397584707AT
C4618	UTSP C	CE04W50V 47M(UTSP)	1	397584707AT
C4619	UTSP C	CE04W50V 47M(UTSP)	1	397584707AT
C4620	UTSP C	CE04W50V 47M(UTSP)	1	397584707AT
C4621	UTSP C	CE04W50V 47M(UTSP)	1	397584707AT
C4624	UTSP C	CE04W50V 47M(UTSP)	1	397584707AT
C4625	UTSP C	CE04W50V 47M(UTSP)	1	397584707AT
C4630	UTSP C	CE04W50V 47M(UTSP)	1	397584707AT
C4631	UTSP C	CE04W50V 47M(UTSP)	1	397584707AT
C4760	UTSP C	CE04W50V 47M(UTSP)	1	397584707AT
C4761	C-CERA C	CC725CH1H-221J1	1	342102214R1
C4762	TF C	ECQ-V50V-103J	1	374721034T
C4808	C-CERA C	CC725CH1H-102J1	1	342101024R1
C4840	TF C	ECQ-V50V-104J	1	374721044T
C4903	UTSP C	CE04W50V-22M(UTSP)	1	397582207AT
C4904	UTSP C	CE04W50V-22M(UTSP)	1	397582207AT
C4905	UTSP C	CE04W25V-220M(UTSP)	1	397552217T
C4906	UTSP C	CE04W25V-220M(UTSP)	1	397552217T
C4909	C-CERA C	CC725CH1H-102J1	1	342101024R1
C7001	C-CERA C	CK725B25V-105K1	1	332111055R1
C7003	C-CERA C	CK725B25V-105K1	1	332111055R1
C7004	C-CERA C	CK725F1A-105Z1	1	332181050R1
C7005	C-CERA C	CK725B25V-105K1	1	332111055R1
C7006	C-CERA C	CK725F1E-104Z1	1	332161040R1
C7007	C-CERA C	CK725F1E-104Z1	1	332161040R1
C7008	C-CERA C	CK732B16V-106K	1	332071065R2
C7009	C-CERA C	CK725F1E-104Z1	1	332161040R1
C7010	C-CERA C	CK725F1E-104Z1	1	332161040R1
C7011	C-CERA C	CK725B25V-105K1	1	332111055R1
C7012	C-CERA C	CK725B25V-105K1	1	332111055R1
C7013	C-CERA C	CK732B16V-106K	1	332071065R2
C7014	C-CERA C	CK725B25V-105K1	1	332111055R1
C7015	C-CERA C	CK725B25V-105K1	1	332111055R1
C7016	C-CERA C	CK725B25V-105K1	1	332111055R1
C7017	C-CERA C	CK725B25V-105K1	1	332111055R1
C7020	C-CERA C	CK725B25V-105K1	1	332111055R1
C7021	C-CERA C	CK725B1H-102K1	1	332101025R1
C7022	C-CERA C	CK725B1H-102K1	1	332101025R1

C7023	C-CERA C	CK725B25V-105K1	1	332111055R1
C7025	C-CERA C	CK725B1H-102K1	1	332101025R1
C7026	C-CERA C	CK725B1H-102K1	1	332101025R1
C7027	C-CERA C	CK725B1H-102K1	1	332101025R1
C7028	C-CERA C	CK725B1H-102K1	1	332101025R1
C7029	C-CERA C	CK725F1E-104Z1	1	332161040R1
C7030	C-CERA C	CK725F1E-104Z1	1	332161040R1
C7032	C-CERA C	CK732B16V-106K	1	332071065R2
C7033	C-CERA C	CK725F1E-104Z1	1	332161040R1
C7034	C-CERA C	CK725B25V-105K1	1	332111055R1
C7035	C-CERA C	CK725F1E-104Z1	1	332161040R1
C7036	C-CERA C	CK725F1A-105Z1	1	332181050R1
C7045	C-CERA C	CK725B1H-223K1	1	332102235R1
C7046	C-CERA C	CK725B25V-105K1	1	332111055R1
C7047	C-CERA C	CK725B25V-105K1	1	332111055R1
[RESISTOR]				
R1004	C-CARBON R	RN72K1J-271JE	1	435032714R1
R1005	C-CARBON R	RN72K1J-750JE	1	435037504R1
R1006	C-CARBON R	RN72K1J-560JE	1	435035604R1
R1007	C-CARBON R	RN72K1J-105JE	1	435031054R1
R1008	C-CARBON R	RN72K1J-561FE	1	435035612R1
R1100	C-CARBON R	RN72K1J-221JE	1	435032214R1
R1101	C-CARBON R	RN72K1J-681JE	1	435036814R1
R1106	C-CARBON R	RN72K1J-221JE	1	435032214R1
R1107	C-CARBON R	RN72K1J-331JE	1	435033314R1
R1110	C-CARBON R	RN72K1J-331JE	1	435033314R1
R1111	C-CARBON R	RN72K1J-331JE	1	435033314R1
R1112	C-CARBON R	RN72K1J-470JE	1	435034704R1
R1113	C-CARBON R	RN72K1J-331JE	1	435033314R1
R1114	C-CARBON R	RN72K1J-472JE	1	435034724R1
R1115	C-CARBON R	RN72K1J-472JE	1	435034724R1
R1116	C-CARBON R	RN72K1J-331JE	1	435033314R1
R1117	C-CARBON R	RN72K1J-331JE	1	435033314R1
R1118	C-CARBON R	RN72K1J-221JE	1	435032214R1
R1119	C-CARBON R	RN72K1J-331JE	1	435033314R1
R1120	C-CARBON R	RN72K1J-331JE	1	435033314R1
R1121	C-CARBON R	RN72K1J-331JE	1	435033314R1
R1122	C-CARBON R	RN72K1J-221JE	1	435032214R1
R1123	C-CARBON R	RN72K1J-331JE	1	435033314R1
R1124	C-CARBON R	RN72K1J-331JE	1	435033314R1
R1125	C-CARBON R	RN72K1J-221JE	1	435032214R1
R1126	C-CARBON R	RN72K1J-331JE	1	435033314R1
R1127	C-CARBON R	RN72K1J-221JE	1	435032214R1
R1128	C-CARBON R	RN72K1J-331JE	1	435033314R1
R1129	C-CARBON R	RN72K1J-331JE	1	435033314R1
R1130	C-CARBON R	RN72K1J-331JE	1	435033314R1
R1131	C-CARBON R	RN72K1J-331JE	1	435033314R1
R1132	C-CARBON R	RN72K1J-472JE	1	435034724R1
R1133	C-CARBON R	RN72K1J-472JE	1	435034724R1
R1220	C-CARBON R	RN72K1J-331JE	1	435033314R1
R1221	C-CARBON R	RN72K1J-750JE	1	435037504R1
R1222	C-CARBON R	RN72K1J-750JE	1	435037504R1
R1227	C-CARBON R	RN72K1J-331JE	1	435033314R1
R1228	C-CARBON R	RN72K1J-331JE	1	435033314R1
R1229	C-CARBON R	RN72K1J-221JE	1	435032214R1
R1230	C-CARBON R	RN72K1J-331JE	1	435033314R1
R1231	C-CARBON R	RN72K1J-331JE	1	435033314R1
R1233	C-CARBON R	RN72K1J-331JE	1	435033314R1
R1241	C-CARBON R	RN72K1J-151JE	1	435031514R1
R1242	C-CARBON R	RN72K1J-750JE	1	435037504R1
R1243	METAL O R	RS1WBJ-10	1	443621004T
R1244	METAL O R	RS1WBJ-15	1	443621504T
R1245	C-CARBON R	RN72K1J-470JE	1	435034704R1
R1246	C-CARBON R	RN72K1J-000JE	1	435030004R1
R1248	C-CARBON R	RN72K1J-470JE	1	435034704R1
R1249	C-CARBON R	RN72K1J-151JE	1	435031514R1
R1250	C-CARBON R	RN72K1J-470JE	1	435034704R1
R1251	C-CARBON R	RN72K1J-331JE	1	435033314R1
R1252	C-CARBON R	RN72K1J-472JE	1	435034724R1
R1253	C-CARBON R	RN72K1J-331JE	1	435033314R1
R1254	C-CARBON R	RN72K1J-472JE	1	435034724R1
R1255	C-CARBON R	RN72K1J-823JE	1	435038234R1
R1256	C-CARBON R	RN72K1J-151JE	1	435031514R1
R1259	C-CARBON R	RN72K1J-331JE	1	435033314R1
R1260	C-CARBON R	RN72K1J-470JE	1	435034704R1
R1308	C-CARBON R	RN72K1J-221JE	1	435032214R1

R1631	C-CARBON R	RN72K1J-183JE	1	435031834R1
R1632	C-CARBON R	RN72K1J-183JE	1	435031834R1
R1633	C-CARBON R	RN72K1J-183JE	1	435031834R1
R1634	C-CARBON R	RN72K1J-183JE	1	435031834R1
R1635	C-CARBON R	RN72K1J-183JE	1	435031834R1
R1636	C-CARBON R	RN72K1J-183JE	1	435031834R1
R1637	C-CARBON R	RN72K1J-183JE	1	435031834R1
R1638	C-CARBON R	RN72K1J-183JE	1	435031834R1
R1639	C-CARBON R	RN72K1J-183JE	1	435031834R1
R1640	C-CARBON R	RN72K1J-332JE	1	435033324R1
R1641	C-CARBON R	RN72K1J-332JE	1	435033324R1
R1642	C-CARBON R	RN72K1J-332JE	1	435033324R1
R1643	C-CARBON R	RN72K1J-332JE	1	435033324R1
R1644	C-CARBON R	RN72K1J-332JE	1	435033324R1
R1645	C-CARBON R	RN72K1J-332JE	1	435033324R1
R1646	C-CARBON R	RN72K1J-332JE	1	435033324R1
R1647	C-CARBON R	RN72K1J-332JE	1	435033324R1
R1648	C-CARBON R	RN72K1J-332JE	1	435033324R1
R1649	C-CARBON R	RN72K1J-332JE	1	435033324R1
R1650	C-CARBON R	RN72K1J-183JE	1	435031834R1
R1651	C-CARBON R	RN72K1J-183JE	1	435031834R1
R1652	C-CARBON R	RN72K1J-183JE	1	435031834R1
R1653	C-CARBON R	RN72K1J-183JE	1	435031834R1
R1654	C-CARBON R	RN72K1J-183JE	1	435031834R1
R1655	C-CARBON R	RN72K1J-183JE	1	435031834R1
R1656	C-CARBON R	RN72K1J-183JE	1	435031834R1
R1657	C-CARBON R	RN72K1J-183JE	1	435031834R1
R1658	C-CARBON R	RN72K1J-183JE	1	435031834R1
R1659	C-CARBON R	RN72K1J-183JE	1	435031834R1
R1660	C-CARBON R	RN72K1J-471JE	1	435034714R1
R1661	C-CARBON R	RN72K1J-471JE	1	435034714R1
R1662	C-CARBON R	RN72K1J-471JE	1	435034714R1
R1663	C-CARBON R	RN72K1J-471JE	1	435034714R1
R1664	C-CARBON R	RN72K1J-471JE	1	435034714R1
R1665	C-CARBON R	RN72K1J-471JE	1	435034714R1
R1666	C-CARBON R	RN72K1J-471JE	1	435034714R1
R1667	C-CARBON R	RN72K1J-471JE	1	435034714R1
R1668	C-CARBON R	RN72K1J-471JE	1	435034714R1
R1669	C-CARBON R	RN72K1J-471JE	1	435034714R1
R1670	C-CARBON R	RN72K1J-471JE	1	435034714R1
R1671	C-CARBON R	RN72K1J-471JE	1	435034714R1
R1672	C-CARBON R	RN72K1J-471JE	1	435034714R1
R1673	C-CARBON R	RN72K1J-471JE	1	435034714R1
R1674	C-CARBON R	RN72K1J-471JE	1	435034714R1
R1675	C-CARBON R	RN72K1J-471JE	1	435034714R1
R1676	C-CARBON R	RN72K1J-471JE	1	435034714R1
R1677	C-CARBON R	RN72K1J-471JE	1	435034714R1
R1678	C-CARBON R	RN72K1J-471JE	1	435034714R1
R1679	C-CARBON R	RN72K1J-471JE	1	435034714R1
R1770	C-CARBON R	RN72K1J-000JE	1	435030004R1
R1771	C-CARBON R	RN72K1J-000JE	1	435030004R1
R1772	C-CARBON R	RN72K1J-000JE	1	435030004R1
R1775	C-CARBON R	RN72K1J-000JE	1	435030004R1
R1776	C-CARBON R	RN72K1J-000JE	1	435030004R1
R1777	C-CARBON R	RN72K1J-000JE	1	435030004R1
R1780	METAL O R	RS1WBJ-10	1	443621004T
R1781	METAL O R	RS1WBJ-10	1	443621004T
R1800	C-CARBON R	RN72K1J-223JE	1	435032234R1
R1801	C-CARBON R	RN72K1J-223JE	1	435032234R1
R1802	C-CARBON R	RN72K1J-332JE	1	435033324R1
R1803	C-CARBON R	RN72K1J-332JE	1	435033324R1
R1810	C-CARBON R	RN72K1J-223JE	1	435032234R1
R1811	C-CARBON R	RN72K1J-223JE	1	435032234R1
R1820	C-CARBON R	RN72K1J-000JE	1	435030004R1
R1821	C-CARBON R	RN72K1J-000JE	1	435030004R1
R1830	C-CARBON R	RN72K1J-153JE	1	435031534R1
R1831	C-CARBON R	RN72K1J-153JE	1	435031534R1
R1840	C-CARBON R	RN72K1J-822JE	1	435038224R1
R1841	C-CARBON R	RN72K1J-822JE	1	435038224R1
R1850	C-CARBON R	RN72K1J-153JE	1	435031534R1
R1851	C-CARBON R	RN72K1J-153JE	1	435031534R1
R1860	C-CARBON R	RN72K1J-104JE	1	435031044R1
R1861	C-CARBON R	RN72K1J-104JE	1	435031044R1
R1870	C-CARBON R	RN72K1J-472JE	1	435034724R1
R1871	C-CARBON R	RN72K1J-472JE	1	435034724R1
R1882	C-CARBON R	RN72K1J-000JE	1	435030004R1

R4001	C-CARBON R	RN72K1J-331JE	1	435033314R1
R4002	C-CARBON R	RN72K1J-331JE	1	435033314R1
R4003	C-CARBON R	RN72K1J-331JE	1	435033314R1
R4004	C-CARBON R	RN72K1J-331JE	1	435033314R1
R4005	C-CARBON R	RN72K1J-331JE	1	435033314R1
R4006	C-CARBON R	RN72K1J-331JE	1	435033314R1
R4007	C-CARBON R	RN72K1J-331JE	1	435033314R1
R4008	C-CARBON R	RN72K1J-331JE	1	435033314R1
R4009	C-CARBON R	RN72K1J-331JE	1	435033314R1
R4010	C-CARBON R	RN72K1J-331JE	1	435033314R1
R4011	C-CARBON R	RN72K1J-331JE	1	435033314R1
R4012	C-CARBON R	RN72K1J-331JE	1	435033314R1
R4013	C-CARBON R	RN72K1J-224JE	1	435032244R1
R4014	C-CARBON R	RN72K1J-224JE	1	435032244R1
R4015	C-CARBON R	RN72K1J-224JE	1	435032244R1
R4016	C-CARBON R	RN72K1J-224JE	1	435032244R1
R4017	C-CARBON R	RN72K1J-224JE	1	435032244R1
R4018	C-CARBON R	RN72K1J-224JE	1	435032244R1
R4019	C-CARBON R	RN72K1J-224JE	1	435032244R1
R4020	C-CARBON R	RN72K1J-224JE	1	435032244R1
R4021	C-CARBON R	RN72K1J-224JE	1	435032244R1
R4022	C-CARBON R	RN72K1J-224JE	1	435032244R1
R4023	C-CARBON R	RN72K1J-224JE	1	435032244R1
R4024	C-CARBON R	RN72K1J-224JE	1	435032244R1
R4031	C-CARBON R	RN72K1J-561JE	1	435035614R1
R4032	C-CARBON R	RN72K1J-561JE	1	435035614R1
R4033	C-CARBON R	RN72K1J-274JE	1	435032744R1
R4034	C-CARBON R	RN72K1J-274JE	1	435032744R1
R4035	C-CARBON R	RN72K1J-223JE	1	435032234R1
R4036	C-CARBON R	RN72K1J-223JE	1	435032234R1
R4037	C-CARBON R	RN72K1J-122JE	1	435031224R1
R4038	C-CARBON R	RN72K1J-122JE	1	435031224R1
R4039	C-CARBON R	RN72K1J-331JE	1	435033314R1
R4040	C-CARBON R	RN72K1J-331JE	1	435033314R1
R4041	C-CARBON R	RN72K1J-473JE	1	435034734R1
R4042	C-CARBON R	RN72K1J-473JE	1	435034734R1
R4043	C-CARBON R	RN72K1J-101JE	1	435031014R1
R4044	C-CARBON R	RN72K1J-101JE	1	435031014R1
R4045	C-CARBON R	RN72K1J-331JE	1	435033314R1
R4046	C-CARBON R	RN72K1J-331JE	1	435033314R1
R4047	C-CARBON R	RN72K1J-563JE	1	435035634R1
R4048	C-CARBON R	RN72K1J-563JE	1	435035634R1
R4049	C-CARBON R	RN72K1J-224JE	1	435032244R1
R4050	C-CARBON R	RN72K1J-224JE	1	435032244R1
R4051	C-CARBON R	RN72K1J-331JE	1	435033314R1
R4052	C-CARBON R	RN72K1J-331JE	1	435033314R1
R4101	C-CARBON R	RN72K1J-104JE	1	435031044R1
R4102	C-CARBON R	RN72K1J-101JE	1	435031014R1
R4103	C-CARBON R	RN72K1J-101JE	1	435031014R1
R4111	C-CARBON R	RN72K1J-223JE	1	435032234R1
R4112	C-CARBON R	RN72K1J-223JE	1	435032234R1
R4113	C-CARBON R	RN72K1J-222JE	1	435032224R1
R4114	C-CARBON R	RN72K1J-222JE	1	435032224R1
R4115	C-CARBON R	RN72K1J-681JE	1	435036814R1
R4116	C-CARBON R	RN72K1J-681JE	1	435036814R1
R4117	C-CARBON R	RN72K1J-123JE	1	435031234R1
R4118	C-CARBON R	RN72K1J-123JE	1	435031234R1
R4119	C-CARBON R	RN72K1J-103JE	1	435031034R1
R4120	C-CARBON R	RN72K1J-103JE	1	435031034R1
R4121	C-CARBON R	RN72K1J-224JE	1	435032244R1
R4122	C-CARBON R	RN72K1J-224JE	1	435032244R1
R4125	C-CARBON R	RN72K1J-224JE	1	435032244R1
R4126	C-CARBON R	RN72K1J-224JE	1	435032244R1
R4127	C-CARBON R	RN72K1J-224JE	1	435032244R1
R4128	C-CARBON R	RN72K1J-224JE	1	435032244R1
R4131	C-CARBON R	RN72K1J-224JE	1	435032244R1
R4132	C-CARBON R	RN72K1J-224JE	1	435032244R1
R4133	C-CARBON R	RN72K1J-224JE	1	435032244R1
R4134	C-CARBON R	RN72K1J-224JE	1	435032244R1
R4135	C-CARBON R	RN72K1J-220JE	1	435032204R1
R4136	C-CARBON R	RN72K1J-220JE	1	435032204R1
R4137	C-CARBON R	RN72K1J-224JE	1	435032244R1
R4138	C-CARBON R	RN72K1J-224JE	1	435032244R1
R4139	C-CARBON R	RN72K1J-224JE	1	435032244R1
R4141	C-CARBON R	RN72K1J-183JE	1	435031834R1
R4142	C-CARBON R	RN72K1J-183JE	1	435031834R1

R4143	C-CARBON R	RN72K1J-223JE	1	435032234R1
R4144	C-CARBON R	RN72K1J-223JE	1	435032234R1
R4145	C-CARBON R	RN72K1J-103JE	1	435031034R1
R4146	C-CARBON R	RN72K1J-103JE	1	435031034R1
R4147	C-CARBON R	RN72K1J-103JE	1	435031034R1
R4148	C-CARBON R	RN72K1J-103JE	1	435031034R1
R4149	C-CARBON R	RN72K1J-224JE	1	435032244R1
R4150	C-CARBON R	RN72K1J-224JE	1	435032244R1
R4153	C-CARBON R	RN72K1J-223JE	1	435032234R1
R4154	C-CARBON R	RN72K1J-223JE	1	435032234R1
R4161	C-CARBON R	RN72K1J-123JE	1	435031234R1
R4162	C-CARBON R	RN72K1J-123JE	1	435031234R1
R4163	C-CARBON R	RN72K1J-562JE	1	435035624R1
R4164	C-CARBON R	RN72K1J-103JE	1	435031034R1
R4165	C-CARBON R	RN72K1J-103JE	1	435031034R1
R4166	C-CARBON R	RN72K1J-224JE	1	435032244R1
R4167	C-CARBON R	RN72K1J-103JE	1	435031034R1
R4168	C-CARBON R	RN72K1J-103JE	1	435031034R1
R4169	C-CARBON R	RN72K1J-103JE	1	435031034R1
R4170	C-CARBON R	RN72K1J-682JE	1	435036824R1
R4171	C-CARBON R	RN72K1J-682JE	1	435036824R1
R4172	C-CARBON R	RN72K1J-224JE	1	435032244R1
R4173	C-CARBON R	RN72K1J-103JE	1	435031034R1
R4174	C-CARBON R	RN72K1J-272JE	1	435032724R1
R4191	C-CARBON R	RN72K2E-472JE	1	435224724R1
R4192	C-CARBON R	RN72K2E-472JE	1	435224724R1
R4193	C-CARBON R	RN72K1J-331JE	1	435033314R1
R4194	C-CARBON R	RN72K1J-331JE	1	435033314R1
R4201	C-CARBON R	RN72K1J-224JE	1	435032244R1
R4202	C-CARBON R	RN72K1J-224JE	1	435032244R1
R4203	C-CARBON R	RN72K1J-224JE	1	435032244R1
R4204	C-CARBON R	RN72K1J-224JE	1	435032244R1
R4205	C-CARBON R	RN72K1J-224JE	1	435032244R1
R4206	C-CARBON R	RN72K1J-224JE	1	435032244R1
R4207	C-CARBON R	RN72K1J-224JE	1	435032244R1
R4208	C-CARBON R	RN72K1J-224JE	1	435032244R1
R4209	C-CARBON R	RN72K1J-224JE	1	435032244R1
R4210	C-CARBON R	RN72K1J-224JE	1	435032244R1
R4211	C-CARBON R	RN72K1J-224JE	1	435032244R1
R4212	C-CARBON R	RN72K1J-224JE	1	435032244R1
R4213	C-CARBON R	RN72K1J-224JE	1	435032244R1
R4214	C-CARBON R	RN72K1J-224JE	1	435032244R1
R4217	C-CARBON R	RN72K1J-000JE	1	435030004R1
R4218	C-CARBON R	RN72K1J-000JE	1	435030004R1
R4301	C-CARBON R	RN72K1J-472JE	1	435034724R1
R4302	C-CARBON R	RN72K1J-472JE	1	435034724R1
R4303	C-CARBON R	RN72K1J-101JE	1	435031014R1
R4304	C-CARBON R	RN72K1J-101JE	1	435031014R1
R4305	C-CARBON R	RN72K1J-104JE	1	435031044R1
R4307	C-CARBON R	RN72K1J-224JE	1	435032244R1
R4308	C-CARBON R	RN72K1J-224JE	1	435032244R1
R4317	C-CARBON R	RN72K1J-224JE	1	435032244R1
R4318	C-CARBON R	RN72K1J-224JE	1	435032244R1
R4321	C-CARBON R	RN72K1J-224JE	1	435032244R1
R4322	C-CARBON R	RN72K1J-224JE	1	435032244R1
R4323	C-CARBON R	RN72K1J-103JE	1	435031034R1
R4324	C-CARBON R	RN72K1J-103JE	1	435031034R1
R4325	C-CARBON R	RN72K1J-103JE	1	435031034R1
R4326	C-CARBON R	RN72K1J-103JE	1	435031034R1
R4327	C-CARBON R	RN72K1J-103JE	1	435031034R1
R4328	C-CARBON R	RN72K1J-103JE	1	435031034R1
R4329	C-CARBON R	RN72K1J-103JE	1	435031034R1
R4330	C-CARBON R	RN72K1J-103JE	1	435031034R1
R4331	C-CARBON R	RN72K1J-103JE	1	435031034R1
R4332	C-CARBON R	RN72K1J-103JE	1	435031034R1
R4333	C-CARBON R	RN72K1J-103JE	1	435031034R1
R4334	C-CARBON R	RN72K1J-103JE	1	435031034R1
R4335	C-CARBON R	RN72K1J-220JE	1	435032204R1
R4336	C-CARBON R	RN72K1J-220JE	1	435032204R1
R4343	C-CARBON R	RN72K1J-223JE	1	435032234R1
R4344	C-CARBON R	RN72K1J-223JE	1	435032234R1
R4345	C-CARBON R	RN72K1J-223JE	1	435032234R1
R4346	C-CARBON R	RN72K1J-223JE	1	435032234R1
R4347	C-CARBON R	RN72K1J-223JE	1	435032234R1
R4348	C-CARBON R	RN72K1J-223JE	1	435032234R1
R4349	C-CARBON R	RN72K1J-103JE	1	435031034R1

R4671	C-CARBON R	RN72K1J-224JE	1	435032244R1
R4672	C-CARBON R	RN72K1J-224JE	1	435032244R1
R4674	C-CARBON R	RN72K1J-221JE	1	435032214R1
R4675	C-CARBON R	RN72K1J-221JE	1	435032214R1
R4680	C-CARBON R	RN72K1J-221JE	1	435032214R1
R4681	C-CARBON R	RN72K1J-221JE	1	435032214R1
R4693	C-CARBON R	RN72K1J-224JE	1	435032244R1
R4702	C-CARBON R	RN72K1J-224JE	1	435032244R1
R4703	C-CARBON R	RN72K1J-224JE	1	435032244R1
R4704	C-CARBON R	RN72K1J-221JE	1	435032214R1
R4705	C-CARBON R	RN72K1J-221JE	1	435032214R1
R4710	C-CARBON R	RN72K1J-224JE	1	435032244R1
R4711	C-CARBON R	RN72K1J-224JE	1	435032244R1
R4720	C-CARBON R	RN72K1J-221JE	1	435032214R1
R4721	C-CARBON R	RN72K1J-221JE	1	435032214R1
R4760	C-CARBON R	RN72K1J-221JE	1	435032214R1
R4761	C-CARBON R	RN72K1J-473JE	1	435034734R1
R4762	C-CARBON R	RN72K1J-681JE	1	435036814R1
R4763	C-CARBON R	RN72K1J-392JE	1	435033924R1
R4764	C-CARBON R	RN72K1J-682JE	1	435036824R1
R4800	C-CARBON R	RN72K1J-224JE	1	435032244R1
R4839	C-CARBON R	RN72K1J-102JE	1	435031024R1
R4841	C-CARBON R	RN72K1J-224JE	1	435032244R1
R4842	C-CARBON R	RN72K1J-224JE	1	435032244R1
R4843	C-CARBON R	RN72K1J-000JE	1	435030004R1
R4845	C-CARBON R	RN72K1J-224JE	1	435032244R1
R4846	C-CARBON R	RN72K1J-224JE	1	435032244R1
R4847	C-CARBON R	RN72K1J-224JE	1	435032244R1
R4848	C-CARBON R	RN72K1J-224JE	1	435032244R1
R4849	C-CARBON R	RN72K1J-224JE	1	435032244R1
R4850	C-CARBON R	RN72K1J-224JE	1	435032244R1
R4851	C-CARBON R	RN72K1J-224JE	1	435032244R1
R4852	C-CARBON R	RN72K1J-224JE	1	435032244R1
R4903	C-CARBON R	RN72K2E-472JE	1	435224724R1
R4904	C-CARBON R	RN72K2E-472JE	1	435224724R1
R4905	C-CARBON R	RN72K1J-331JE	1	435033314R1
R4906	C-CARBON R	RN72K1J-331JE	1	435033314R1
R7002	C-CARBON R	RN72K1J-473JE	1	435034734R1
R7003	C-CARBON R	RN72K1J-103JE	1	435031034R1
R7004	C-CARBON R	RN72K1J-102JE	1	435031024R1
R7005	C-CARBON R	RN72K1J-473JE	1	435034734R1
R7006	C-CARBON R	RN72K1J-470JE	1	435034704R1
R7007	C-CARBON R	RN72K1J-473JE	1	435034734R1
R7008	C-CARBON R	RN72K1J-473JE	1	435034734R1
R7009	C-CARBON R	RN72K1J-473JE	1	435034734R1
R7010	C-CARBON R	RN72K1J-473JE	1	435034734R1
R7012	C-CARBON R	RN72K1J-473JE	1	435034734R1
R7013	C-CARBON R	RN72K1J-221JE	1	435032214R1
R7014	C-CARBON R	RN72K1J-273JE	1	435032734R1
R7015	C-CARBON R	RN72K1J-473JE	1	435034734R1
R7016	C-CARBON R	RN72K1J-102JE	1	435031024R1
R7017	C-CARBON R	RN72K1J-101JE	1	435031014R1
R7019	C-CARBON R	RN72K1J-224JE	1	435032244R1
R7020	C-CARBON R	RN72K1J-103JE	1	435031034R1
R7021	C-CARBON R	RN72K1J-473JE	1	435034734R1
R7022	C-CARBON R	RN72K1J-103JE	1	435031034R1
R7023	C-CARBON R	RN72K1J-221JE	1	435032214R1
R7024	C-CARBON R	RN72K1J-101JE	1	435031014R1
R7025	C-CARBON R	RN72K1J-103JE	1	435031034R1
R7026	C-CARBON R	RN72K1J-103JE	1	435031034R1
R7027	C-CARBON R	RN72K1J-470JE	1	435034704R1
R7028	C-CARBON R	RN72K1J-470JE	1	435034704R1
R7029	C-CARBON R	RN72K1J-470JE	1	435034704R1
R7030	C-CARBON R	RN72K1J-470JE	1	435034704R1
R7031	C-CARBON R	RN72K1J-470JE	1	435034704R1
R7032	C-CARBON R	RN72K1J-470JE	1	435034704R1
R7033	C-CARBON R	RN72K1J-470JE	1	435034704R1
R7034	C-CARBON R	RN72K1J-470JE	1	435034704R1
R7035	C-CARBON R	RN72K1J-470JE	1	435034704R1
R7036	C-CARBON R	RN72K1J-470JE	1	435034704R1
R7037	C-CARBON R	RN72K1J-470JE	1	435034704R1
R7038	C-CARBON R	RN72K1J-221JE	1	435032214R1
R7039	C-CARBON R	RN72K1J-470JE	1	435034704R1
R7040	C-CARBON R	RN72K1J-470JE	1	435034704R1
R7041	C-CARBON R	RN72K1J-470JE	1	435034704R1
R7042	C-CARBON R	RN72K1J-470JE	1	435034704R1

R7043	C-CARBON R	RN72K1J-470JE	1	435034704R1
R7044	C-CARBON R	RN72K1J-470JE	1	435034704R1
R7045	C-CARBON R	RN72K1J-470JE	1	435034704R1
R7046	C-CARBON R	RN72K1J-221JE	1	435032214R1
R7047	C-CARBON R	RN72K1J-221JE	1	435032214R1
R7048	C-CARBON R	RN72K1J-470JE	1	435034704R1
R7049	C-CARBON R	RN72K1J-470JE	1	435034704R1
R7050	C-CARBON R	RN72K1J-221JE	1	435032214R1
R7051	C-CARBON R	RN72K1J-470JE	1	435034704R1
R7052	C-CARBON R	RN72K1J-221JE	1	435032214R1
R7053	C-CARBON R	RN72K1J-103JE	1	435031034R1
R7060	C-CARBON R	RN72K1J-000JE	1	435030004R1
R7063	C-CARBON R	RN72K1J-105JE	1	435031054R1
R7064	C-CARBON R	RN72K1J-105JE	1	435031054R1
R7065	C-CARBON R	RN72K1J-272JE	1	435032724R1
R7066	C-CARBON R	RN72K1J-102JE	1	435031024R1
R7067	C-CARBON R	RN72K1J-473JE	1	435034734R1
R7068	C-CARBON R	RN72K1J-473JE	1	435034734R1
R7069	C-CARBON R	RN72K1J-473JE	1	435034734R1
R7070	C-CARBON R	RN72K1J-473JE	1	435034734R1
R7071	C-CARBON R	RN72K1J-473JE	1	435034734R1
R7072	C-CARBON R	RN72K1J-473JE	1	435034734R1
R7073	C-CARBON R	RN72K1J-103JE	1	435031034R1
R7074	C-CARBON R	RN72K1J-103JE	1	435031034R1
R7075	C-CARBON R	RN72K1J-103JE	1	435031034R1
R7076	C-CARBON R	RN72K1J-224JE	1	435032244R1
R7077	C-CARBON R	RN72K1J-473JE	1	435034734R1
R7078	C-CARBON R	RN72K1J-470JE	1	435034704R1
R7080	C-CARBON R	RN72K1J-103JE	1	435031034R1
R7081	C-CARBON R	RN72K1J-470JE	1	435034704R1
R7082	C-CARBON R	RN72K1J-470JE	1	435034704R1
R7083	C-CARBON R	RN72K1J-470JE	1	435034704R1
R7084	C-CARBON R	RN72K1J-470JE	1	435034704R1
R7085	C-CARBON R	RN72K1J-470JE	1	435034704R1
R7086	C-CARBON R	RN72K1J-470JE	1	435034704R1
R7087	C-CARBON R	RN72K1J-470JE	1	435034704R1
R7088	C-CARBON R	RN72K1J-221JE	1	435032214R1
R7089	C-CARBON R	RN72K1J-470JE	1	435034704R1
R7090	C-CARBON R	RN72K1J-470JE	1	435034704R1
R7091	C-CARBON R	RN72K1J-102JE	1	435031024R1
R7092	C-CARBON R	RN72K1J-221JE	1	435032214R1
R7093	C-CARBON R	RN72K1J-470JE	1	435034704R1
R7094	C-CARBON R	RN72K1J-221JE	1	435032214R1
R7095	C-CARBON R	RN72K1J-470JE	1	435034704R1
R7096	C-CARBON R	RN72K1J-470JE	1	435034704R1
R7097	C-CARBON R	RN72K1J-470JE	1	435034704R1
R7098	C-CARBON R	RN72K1J-470JE	1	435034704R1
R7099	C-CARBON R	RN72K1J-470JE	1	435034704R1
R7100	C-CARBON R	RN72K1J-470JE	1	435034704R1
R7101	C-CARBON R	RN72K1J-470JE	1	435034704R1
R7102	C-CARBON R	RN72K1J-470JE	1	435034704R1
R7103	C-CARBON R	RN72K1J-103JE	1	435031034R1
R7104	C-CARBON R	RN72K1J-470JE	1	435034704R1
R7105	C-CARBON R	RN72K1J-470JE	1	435034704R1
R7106	C-CARBON R	RN72K1J-221JE	1	435032214R1
R7107	C-CARBON R	RN72K1J-470JE	1	435034704R1
R7108	C-CARBON R	RN72K1J-470JE	1	435034704R1
R7109	C-CARBON R	RN72K1J-221JE	1	435032214R1
R7110	C-CARBON R	RN72K1J-102JE	1	435031024R1
R7111	C-CARBON R	RN72K1J-470JE	1	435034704R1
R7112	C-CARBON R	RN72K1J-470JE	1	435034704R1
R7113	C-CARBON R	RN72K1J-103JE	1	435031034R1
R7114	C-CARBON R	RN72K1J-470JE	1	435034704R1
R7115	C-CARBON R	RN72K1J-470JE	1	435034704R1
R7116	C-CARBON R	RN72K1J-103JE	1	435031034R1
R7117	C-CARBON R	RN72K1J-470JE	1	435034704R1
R7118	C-CARBON R	RN72K1J-470JE	1	435034704R1
R7119	C-CARBON R	RN72K1J-103JE	1	435031034R1
R7120	C-CARBON R	RN72K1J-470JE	1	435034704R1
R7121	C-CARBON R	RN72K1J-473JE	1	435034734R1
R7122	C-CARBON R	RN72K1J-102JE	1	435031024R1
R7123	C-CARBON R	RN72K1J-221JE	1	435032214R1
R7124	C-CARBON R	RN72K1J-221JE	1	435032214R1
R7125	C-CARBON R	RN72K1J-221JE	1	435032214R1
R7126	C-CARBON R	RN72K1J-221JE	1	435032214R1
R7127	C-CARBON R	RN72K1J-104JE	1	435031044R1

R7128	C-CARBON R	RN72K1J-102JE	1	435031024R1
R7129	C-CARBON R	RN72K1J-221JE	1	435032214R1
R7130	C-CARBON R	RN72K1J-102JE	1	435031024R1
R7131	C-CARBON R	RN72K1J-470JE	1	435034704R1
R7132	C-CARBON R	RN72K1J-470JE	1	435034704R1
R7133	C-CARBON R	RN72K1J-221JE	1	435032214R1
R7134	C-CARBON R	RN72K1J-103JE	1	435031034R1
R7135	C-CARBON R	RN72K1J-470JE	1	435034704R1
R7136	C-CARBON R	RN72K1J-000JE	1	435030004R1
R7137	C-CARBON R	RN72K1J-221JE	1	435032214R1
R7138	C-CARBON R	RN72K1J-221JE	1	435032214R1
R7139	C-CARBON R	RN72K1J-221JE	1	435032214R1
R7140	C-CARBON R	RN72K1J-221JE	1	435032214R1
R7141	C-CARBON R	RN72K1J-102JE	1	435031024R1
R7142	C-CARBON R	RN72K1J-470JE	1	435034704R1
R7144	C-CARBON R	RN72K1J-470JE	1	435034704R1
R7145	C-CARBON R	RN72K1J-221JE	1	435032214R1
R7146	C-CARBON R	RN72K1J-221JE	1	435032214R1
R7147	C-CARBON R	RN72K1J-472JE	1	435034724R1
R7148	C-CARBON R	RN72K1J-470JE	1	435034704R1
R7149	C-CARBON R	RN72K1J-472JE	1	435034724R1
R7150	C-CARBON R	RN72K1J-221JE	1	435032214R1
R7151	C-CARBON R	RN72K1J-472JE	1	435034724R1
R7152	C-CARBON R	RN72K1J-472JE	1	435034724R1
R7153	C-CARBON R	RN72K1J-102JE	1	435031024R1
R7154	C-CARBON R	RN72K1J-472JE	1	435034724R1
R7155	C-CARBON R	RN72K1J-472JE	1	435034724R1
R7156	C-CARBON R	RN72K1J-272JE	1	435032724R1
R7157	C-CARBON R	RN72K1J-272JE	1	435032724R1
R7162	C-CARBON R	RN72K1J-470JE	1	435034704R1
R7163	C-CARBON R	RN72K1J-473JE	1	435034734R1
R7164	C-CARBON R	RN72K1J-470JE	1	435034704R1
R7168	C-CARBON R	RN72K1J-272JE	1	435032724R1
R7169	C-CARBON R	RN72K1J-473JE	1	435034734R1
R7170	C-CARBON R	RN72K1J-473JE	1	435034734R1
R7171	C-CARBON R	RN72K1J-103JE	1	435031034R1
R7172	C-CARBON R	RN72K1J-103JE	1	435031034R1
R7173	C-CARBON R	RN72K1J-103JE	1	435031034R1
R7174	C-CARBON R	RN72K1J-103JE	1	435031034R1
R7175	C-CARBON R	RN72K1J-103JE	1	435031034R1
R7176	C-CARBON R	RN72K1J-105JE	1	435031054R1
R7178	C-CARBON R	RN72K1J-272JE	1	435032724R1
R7183	C-CARBON R	RN72K1J-221JE	1	435032214R1
R7184	C-CARBON R	RN72K1J-221JE	1	435032214R1
R7185	C-CARBON R	RN72K1J-221JE	1	435032214R1
R7186	C-CARBON R	RN72K1J-470JE	1	435034704R1
R7187	C-CARBON R	RN72K1J-470JE	1	435034704R1
R7188	C-CARBON R	RN72K1J-470JE	1	435034704R1
R7189	C-CARBON R	RN72K1J-221JE	1	435032214R1
R7190	C-CARBON R	RN72K1J-470JE	1	435034704R1
R7191	C-CARBON R	RN72K1J-470JE	1	435034704R1
R7192	C-CARBON R	RN72K1J-221JE	1	435032214R1
R7193	C-CARBON R	RN72K1J-221JE	1	435032214R1
R7194	C-CARBON R	RN72K1J-470JE	1	435034704R1
R7195	C-CARBON R	RN72K1J-470JE	1	435034704R1
R7196	C-CARBON R	RN72K1J-221JE	1	435032214R1
R7197	C-CARBON R	RN72K1J-221JE	1	435032214R1
R7198	C-CARBON R	RN72K1J-221JE	1	435032214R1
R7199	C-CARBON R	RN72K1J-102JE	1	435031024R1
R7201	C-CARBON R	RN72K1J-473JE	1	435034734R1
R7202	C-CARBON R	RN72K1J-473JE	1	435034734R1
R7204	C-CARBON R	RN72K1J-103JE	1	435031034R1
R7205	C-CARBON R	RN72K1J-103JE	1	435031034R1
R7206	C-CARBON R	RN72K1J-473JE	1	435034734R1
R7207	C-CARBON R	RN72K1J-102JE	1	435031024R1
R7208	C-CARBON R	RN72K1J-103JE	1	435031034R1
R7210	C-CARBON R	RN72K1J-103JE	1	435031034R1
R7211	C-CARBON R	RN72K1J-103JE	1	435031034R1
R7212	C-CARBON R	RN72K1J-103JE	1	435031034R1
R7213	C-CARBON R	RN72K1J-103JE	1	435031034R1
R7214	C-CARBON R	RN72K1J-473JE	1	435034734R1
R7215	C-CARBON R	RN72K1J-473JE	1	435034734R1
R7216	C-CARBON R	RN72K1J-473JE	1	435034734R1
R7217	C-CARBON R	RN72K1J-221JE	1	435032214R1
R7218	C-CARBON R	RN72K1J-221JE	1	435032214R1
R7220	C-CARBON R	RN72K1J-000JE	1	435030004R1

R7239	C-CARBON R	RN72K1J-000JE	1	435030004R1
R7355	C-CARBON R	RN72K1J-473JE	1	435034734R1
R7356	C-CARBON R	RN72K1J-473JE	1	435034734R1
R7357	C-CARBON R	RN72K1J-473JE	1	435034734R1
R7358	C-CARBON R	RN72K1J-473JE	1	435034734R1
R7359	C-CARBON R	RN72K1J-473JE	1	435034734R1
R7360	C-CARBON R	RN72K1J-473JE	1	435034734R1
R7371	C-CARBON R	RN72K1J-105JE	1	435031054R1
R7372	C-CARBON R	RN72K1J-102JE	1	435031024R1
R7498	C-CARBON R	RN72K1J-103JE	1	435031034R1
R7499	C-CARBON R	RN72K1J-103JE	1	435031034R1
R8030	C-CARBON R	RN72K1J-105JE	1	435031054R1
R8031	C-CARBON R	RN72K1J-105JE	1	435031054R1
R8032	C-CARBON R	RN72K1J-105JE	1	435031054R1
R8033	C-CARBON R	RN72K1J-105JE	1	435031054R1

[SW TRM]

P1008B	PLUG	IMSA-9142B-14A	1	25056597
P1009B	PLUG	IMSA-9142B-14A	1	25056597
P101	SOCKET AS	NSAS-5P2114	1	2009991303UL
P101A	WIRE HOL	NSCT-5P876	1	25051089
P1129A	PLUG	NPLG-11P0966	1	25056016
P1129B	SOCKET	NSCT-11P2191	1	25052294
P1130A	PLUG	NPLG-11P0966	1	25056016
P1130B	SOCKET	NSCT-11P2191	1	25052294
P1307	TRM-423(SCREW)	NEJITANSI ST3	1	25060495
P1308	ST JACK	MSJ-035-22	1	25045887
P1309	PIN JACK	NPJ-3PDO656	1	25045884
P2102B	SOCKET	IMSA-9142S-18A	1	25053231
P2103B	SOCKET	IMSA-9142S-16A	1	25053230
P3605B	PLUG	IMSA-9111B-24	1	25056625
P3607B	PLUG	IMSA-9111B-24	1	25056625
P4031	TRM	NTM-1P232(M1700)	1	25060301
P4500	PIN JACK	NPJ-6PDWWWRRR561	1	25045779
P4501	PIN JACK	NPJ-6PDWWWRRR561	1	25045779
P4502	PIN JACK	NPJ-4PDWWWRR624	1	25045845
P4506	PIN JACK	NPJ-1PDG741	1	25045991
P4507	PIN JACK	NPJ-6PDLENTP701	1	25045935
P4508	PIN JACK	NPJ-4PDWWWRR624	1	25045845
P4509	PIN JACK	NPJ-4PDWWWRR624	1	25045845
P4510A	SOCKET	NSCT-20P2200	1	25052303
P4510B	PLUG	NPLG-20P0975	1	25056025
P4511A	SOCKET	NSCT-20P2200	1	25052303
P4511B	PLUG	NPLG-20P0975	1	25056025
P4512B	CRIMP AS	CRIMP SR805_2	1	20799170UL
P4516B	PLUG	NPLG-8P355	1	25055372
P4517B	PLUG	NPLG-10P357	1	25055374
P4520	HOLDER	HOLDER(CLAMP)	1	27190540-1
P4522	TRM-423(SCREW)	NEJITANSI ST3	1	25060495
P6601B	PLUG	IMSA-9142B-24A	1	25056602
P6605B	PLUG	IMSA-9142B-22A	1	25056601
P7001	PLUG	NPLG-2P130	1	25055146
P7007A	SOCKET	IMSA-9618S-09A	1	25053334R2
P7009	TRM-423(SCREW)	NEJITANSI ST3	1	25060495
P7010	RETAINER	(PTH)	1	27141884-1
P7272A	PLUG	NPLG-11P0966	1	25056016
P7272B	SOCKET	NSCT-11P2191	1	25052294
P7273A	PLUG	NPLG-11P0966	1	25056016
P7273B	SOCKET	NSCT-11P2191	1	25052294
P7501A	SOCKET	NSCT-25P2222	1	25052325
P8000	SOCKET	MDS-15P-V02(DSUB15)	1	25053362
P8002A	SOCKET	NSCT-9P2400	1	25052503
P8888B	PLUG	IMSA-9111B-30	1	25056700
P9925B	PLUG	NPLG-5P133	1	25055149

[TUNER UNIT]

U1301	PHT CP	JSR1165-001receiving	1	24120143
U1302	PHT CP	JSR1165-001receiving	1	24120143

U006

BADIS-1406-1A

: NSP

CIRCUIT NO.	PART NAME	DESCRIPTION	Q'TY	PART NO. (SN)	REMARKS
[SEMI CONDUCTOR]					
D7500	ZENER D	DZ2J082M0L	1	224760820R2	
D7500 or	ZENER D	UDZS8.2B	(1)	224550820R2	

D7506	LED	LW340A	1	225517
D7506A	HOLDER	(LED)LH-5-5	1	27191312
D7510	LED	LW340A	1	225517
D7510A	HOLDER	(LED)LH-5-5	1	27191312
D7511	LED	SLI-343Y8C-3F	1	225491
D7520	C-DIODE	DA2J10100	1	223303R2
D7520 or	C-DIODE	1SS352	(1)	223234R2
D7521	C-DIODE	DA2J10100	1	223303R2
D7521 or	C-DIODE	1SS352	(1)	223234R2
D7522	C-DIODE	DA2J10100	1	223303R2
D7522 or	C-DIODE	1SS352	(1)	223234R2
D7523	C-DIODE	DA2J10100	1	223303R2
D7523 or	C-DIODE	1SS352	(1)	223234R2
D7530	ZENER D	DZ2J051M0L	1	224760510R2
D7530 or	ZENER D	UDZS5.1B	(1)	224550510R2
D7531	LED	LW340A	1	225517
D7532	LED	SCB3318E-D2	1	225487
D7540	PHT CP	JSR1B15	1	24120166
D7560	C-DIODE	DA2J10100	1	223303R2
D7560 or	C-DIODE	1SS352	(1)	223234R2
D7561	C-DIODE	DA2J10100	1	223303R2
D7561 or	C-DIODE	1SS352	(1)	223234R2
D7580	C-DIODE	DA2J10100	1	223303R2
D7580 or	C-DIODE	1SS352	(1)	223234R2
D7581	C-DIODE	DA2J10100	1	223303R2
D7581 or	C-DIODE	1SS352	(1)	223234R2
D7582	C-DIODE	DA2J10100	1	223303R2
D7582 or	C-DIODE	1SS352	(1)	223234R2
D7583	C-DIODE	DA2J10100	1	223303R2
D7583 or	C-DIODE	1SS352	(1)	223234R2
D7591	LED	SCB3318E-D2	1	225487
D7591A	HOLDER	(LED)LH-5-5	1	27191312
Q7501	FL TUBE	16-BT-165GINK	1	212276
Q7501A	HOLDER	(FL)	1	27191370
Q7501Aor	HOLDER	(FL)	(1)	27191303
Q7502	TR	2SC2712-GR	1	2213145R2
Q7502 or	TR	KTC3875-GR	(1)	2216175R2
Q7503	TR	2SC2712-GR	1	2213145R2
Q7503 or	TR	KTC3875-GR	(1)	2216175R2
Q7506	TR	DTC123JKA	1	2216690R2
Q7506 or	TR	KRC105S	(1)	2217290R2
Q7530	IC	NJM4580M-D	1	22241448R2
Q7532	TR	RTAN430C-T112-1	1	2217780R2
Q7532 or	TR	RN1441	(1)	2215410R2
Q7533	TR	RN2403	1	2214540R2
Q7533 or	TR	KRA103S	(1)	2216230R2
Q7534	IC	NJM4580M-D	1	22241448R2
Q7535	TR	DTC123JKA	1	2216690R2
Q7535 or	TR	KRC105S	(1)	2217290R2
Q7536	TR	DTC123JKA	1	2216690R2
Q7536 or	TR	KRC105S	(1)	2217290R2
Q7591	TR	DTC123JKA	1	2216690R2
Q7591 or	TR	KRC105S	(1)	2217290R2
[TRANS COIL]				
L7520	CHOKE COIL	LBC2518T470M	1	231364M470R2
L7521	EMIFIL	BK1608LM182-T	1	230958R1
L7522	EMIFIL	BK1608LM182-T	1	230958R1
L7530	CHOKE COIL	LBC2518T2R2M	1	231364M022R2
L7580	CHOKE COIL	LBC2518T2R2M	1	231364M022R2
L7581	CHOKE COIL	LBC2518T2R2M	1	231364M022R2
L7582	CHOKE COIL	LBC2518T2R2M	1	231364M022R2
[CAPACITOR]				
C7501	C-CERA C	CK725B1H-223K1	1	332102235R1
C7502	C-CERA C	CK725F1E-104Z1	1	332161040R1
C7503	C-CERA C	CK725F1E-104Z1	1	332161040R1
C7504	C-CERA C	CK725B1H-473K1	1	332104735R1
C7505	C-CERA C	CK725B1H-473K1	1	332104735R1
C7506	ELECT C	CE04W50V-33M	1	355783309T
C7507	C-CERA C	CK725F1H-104Z1	1	332151040R1
C7511	C-CERA C	CC725CH1H-221J1	1	342102214R1
C7512	C-CERA C	CC725CH1H-221J1	1	342102214R1
C7513	C-CERA C	CK725B1H-102K1	1	332101025R1
C7514	C-CERA C	CK725B1H-102K1	1	332101025R1
C7515	C-CERA C	CK725F1E-104Z1	1	332161040R1
C7516	C-CERA C	CK725B1H-103K1	1	332101035R1
C7517	C-CERA C	CK725B1H-103K1	1	332101035R1

C7518	ELECT C	CE04W6.3V-100M	1	355721019T
C7520	C-CERA C	CK725F1E-104Z1	1	332161040R1
C7521	UTSP C	CE04W10V-100M(UTSP)	1	397531017AT
C7522	C-CERA C	CC725CH1H-221J1	1	342102214R1
C7523	C-CERA C	CC725CH1H-221J1	1	342102214R1
C7524	C-CERA C	CK725B1H-102K1	1	332101025R1
C7525	C-CERA C	CC725CH1H-470J1	1	342104704R1
C7533	ELECT C	CE04W35V-47M	1	355764709T
C7534	ELECT C	CE04W16V-47M	1	355744709T
C7535	ELECT C	CE04W35V-10M(MA)	1	355761009T
C7537	C-CERA C	CC725CH1H-330J1	1	342103304R1
C7538	ELECT C	CE04W35V-10M(MA)	1	355761009T
C7539	ELECT C	CE04W35V-10M(S)	1	353761009T
C7540	ELECT C	CE04W35V-10M(S)	1	353761009T
C7541	ELECT C	CE04W35V-10M(MA)	1	355761009T
C7542	ELECT C	CE04W35V-10M(S)	1	353761009T
C7543	C-CERA C	CK725B1H-102K1	1	332101025R1
C7544	C-CERA C	CC725CH1H-101J1	1	342101014R1
C7547	C-CERA C	CK725F1E-104Z1	1	332161040R1
C7550	C-CERA C	CK725F1E-104Z1	1	332161040R1
C7560	ELECT C	CE04W6.3V-220M	1	355722219T
C7562	C-CERA C	CK725B1H-102K1	1	332101025R1
C7580	C-CERA C	CC725CH1H-102J1	1	342101024R1
C7581	C-CERA C	CC725CH1H-102J1	1	342101024R1
C7582	C-CERA C	CC725CH1H-102J1	1	342101024R1
C7583	C-CERA C	CC725CH1H-102J1	1	342101024R1
[RESISTOR]				
R7500	C-CARBON R	RN72K1J-221JE	1	435032214R1
R7501	C-CARBON R	RN72K1J-221JE	1	435032214R1
R7502	C-CARBON R	RN72K1J-000JE	1	435030004R1
R7503	NF CARBON R	R25J-10	1	415471004T
R7504	NF CARBON R	R25J-10	1	415471004T
R7505	C-CARBON R	RN72K1J-000JE	1	435030004R1
R7508	C-CARBON R	RN72K1J-101JE	1	435031014R1
R7509	C-CARBON R	RN72K1J-101JE	1	435031014R1
R7511	C-CARBON R	RN72K1J-333JE	1	435033334R1
R7512	C-CARBON R	RN72K1J-333JE	1	435033334R1
R7513	C-CARBON R	RN72K1J-104JE	1	435031044R1
R7514	C-CARBON R	RN72K1J-333JE	1	435033334R1
R7515	C-CARBON R	RN72K1J-104JE	1	435031044R1
R7517	C-CARBON R	RN72K1J-221JE	1	435032214R1
R7519	C-CARBON R	RN72K1J-221JE	1	435032214R1
R7520	C-CARBON R	RN72K1J-221JE	1	435032214R1
R7521	C-CARBON R	RN72K1J-221JE	1	435032214R1
R7523	C-CARBON R	RN72K1J-181JE	1	435031814R1
R7524	C-CARBON R	RN72K1J-000JE	1	435030004R1
R7527	C-CARBON R	RN72K1J-181JE	1	435031814R1
R7528	C-CARBON R	RN72K1J-271JE	1	435032714R1
R7529	C-CARBON R	RN72K1J-224JE	1	435032244R1
R7530	C-CARBON R	RN72K1J-103JE	1	435031034R1
R7531	C-CARBON R	RN72K1J-101JE	1	435031014R1
R7532	C-CARBON R	RN72K1J-000JE	1	435030004R1
R7533	C-CARBON R	RN72K1J-103JE	1	435031034R1
R7534	C-CARBON R	RN72K1J-104JE	1	435031044R1
R7535	C-CARBON R	RN72K1J-102JE	1	435031024R1
R7536	C-CARBON R	RN72K1J-333JE	1	435033334R1
R7537	C-CARBON R	RN72K1J-333JE	1	435033334R1
R7538	C-CARBON R	RN72K1J-471JE	1	435034714R1
R7539	C-CARBON R	RN72K1J-470JE	1	435034704R1
R7540	C-CARBON R	RN72K1J-473JE	1	435034734R1
R7541	C-CARBON R	RN72K1J-331JE	1	435033314R1
R7542	C-CARBON R	RN72K1J-331JE	1	435033314R1
R7543	C-CARBON R	RN72K1J-182JE	1	435031824R1
R7544	C-CARBON R	RN72K1J-472JE	1	435034724R1
R7545	C-CARBON R	RN72K1J-103JE	1	435031034R1
R7546	C-CARBON R	RN72K1J-331JE	1	435033314R1
R7547	C-CARBON R	RN72K1J-103JE	1	435031034R1
R7548	C-CARBON R	RN72K1J-224JE	1	435032244R1
R7550	C-CARBON R	RN72K1J-750JE	1	435037504R1
R7551	C-CARBON R	RN72K1J-223JE	1	435032234R1
R7552	C-CARBON R	RN72K1J-223JE	1	435032234R1
R7556	C-CARBON R	RN72K1J-000JE	1	435030004R1
R7560	C-CARBON R	RN72K1J-222JE	1	435032224R1
R7561	C-CARBON R	RN72K1J-101JE	1	435031014R1
R7580	METAL O R	RS1WBJ-33	1	443623304T
R7581	METAL O R	RS1WBJ-33	1	443623304T

R7583	C-CARBON R	RN72K1J-000JE	1	435030004R1
R7595	C-CARBON R	RN72K1J-471JE	1	435034714R1
R7611	C-CARBON R	RN72K1J-271JE	1	435032714R1
R7612	C-CARBON R	RN72K1J-331JE	1	435033314R1
R7613	C-CARBON R	RN72K1J-471JE	1	435034714R1
R7614	C-CARBON R	RN72K1J-561JE	1	435035614R1
R7615	C-CARBON R	RN72K1J-821JE	1	435038214R1
R7616	C-CARBON R	RN72K1J-122JE	1	435031224R1
R7617	C-CARBON R	RN72K1J-222JE	1	435032224R1
R7618	C-CARBON R	RN72K1J-392JE	1	435033924R1
R7619	C-CARBON R	RN72K1J-123JE	1	435031234R1
R7621	C-CARBON R	RN72K1J-271JE	1	435032714R1
R7622	C-CARBON R	RN72K1J-331JE	1	435033314R1
R7623	C-CARBON R	RN72K1J-471JE	1	435034714R1
R7624	C-CARBON R	RN72K1J-561JE	1	435035614R1
R7625	C-CARBON R	RN72K1J-821JE	1	435038214R1
R7626	C-CARBON R	RN72K1J-122JE	1	435031224R1
R7627	C-CARBON R	RN72K1J-222JE	1	435032224R1
R7628	C-CARBON R	RN72K1J-392JE	1	435033924R1
R7629	C-CARBON R	RN72K1J-123JE	1	435031234R1
R7631	C-CARBON R	RN72K1J-271JE	1	435032714R1
R7632	C-CARBON R	RN72K1J-331JE	1	435033314R1
R7633	C-CARBON R	RN72K1J-471JE	1	435034714R1
R7634	C-CARBON R	RN72K1J-561JE	1	435035614R1
R7635	C-CARBON R	RN72K1J-821JE	1	435038214R1
R7636	C-CARBON R	RN72K1J-122JE	1	435031224R1
R7637	C-CARBON R	RN72K1J-222JE	1	435032224R1
R7638	C-CARBON R	RN72K1J-392JE	1	435033924R1
R7639	C-CARBON R	RN72K1J-123JE	1	435031234R1
R7641	C-CARBON R	RN72K1J-271JE	1	435032714R1
R7642	C-CARBON R	RN72K1J-331JE	1	435033314R1
R7643	C-CARBON R	RN72K1J-471JE	1	435034714R1
R7644	C-CARBON R	RN72K1J-561JE	1	435035614R1
R7645	C-CARBON R	RN72K1J-821JE	1	435038214R1
R7646	C-CARBON R	RN72K1J-122JE	1	435031224R1
R7647	C-CARBON R	RN72K1J-222JE	1	435032224R1
R7648	C-CARBON R	RN72K1J-392JE	1	435033924R1
R7649	C-CARBON R	RN72K1J-123JE	1	435031234R1
R7650	C-CARBON R	RN72K1J-104JE	1	435031044R1
R7651	C-CARBON R	RN72K1J-104JE	1	435031044R1
R7652	C-CARBON R	RN72K1J-152JE	1	435031524R1
R7653	C-CARBON R	RN72K1J-152JE	1	435031524R1
R7654	C-CARBON R	RN72K1J-224JE	1	435032244R1
R7655	C-CARBON R	RN72K1J-471JE	1	435034714R1
R7656	C-CARBON R	RN72K1J-332JE	1	435033324R1
[SW TRM]				
P2000	SOCKET AS	NSAS-9P2147	1	2009991336UL
P2000A	WIRE HOL	NSCT-9P880	1	25051093
P4103B	PLUG	NPLG-5P133	1	25055149
P7501B	SOCKET	NSCT-25P2259	1	25052362
P7510	SOCKET AS	NSAS-7P2128	1	2009991317UL
P7510A	WIRE HOL	NSCT-7P878	1	25051091
P7510B	PLUG	NPLG-7P135	1	25055151
P7522	PIN JACK	NPJ-3PDB735	1	25045978
P7530	ST JACK	MSJ-035-05C B AG SR type	1	25045879
P7560A	WIRE HOL	NSCT-3P874	1	25051087
P7560B	WIRE HOL	NSCT-3P874	1	25051087
P7580	ST JACK	MSJ-064-05A SR	1	25045783
P7582	TRM (SCREW)	TP00370-21	1	25065668T
P7590A	WIRE HOL	NSCT-5P876	1	25051089
P7590B	WIRE HOL	NSCT-5P876	1	25051089
P7592A	WIRE HOL	NSCT-3P874	1	25051087
P7592B	WIRE HOL	NSCT-3P874	1	25051087
P9303	SOCKET AS	NSAS-5P2112	1	2009991301UL
P9303A	WIRE HOL	NSCT-5P876	1	25051089
S7501	R ENCODE	EC12E2425WITH WASHER	1	25065655W
S7611	PUSH SW	NPS-111-S681	1	25035718T
S7611 or	PUSH SW	NPS-111-S677	(1)	25035714T
S7612	PUSH SW	NPS-111-S681	1	25035718T
S7612 or	PUSH SW	NPS-111-S677	(1)	25035714T
S7613	PUSH SW	NPS-111-S681	1	25035718T
S7613 or	PUSH SW	NPS-111-S677	(1)	25035714T
S7614	PUSH SW	NPS-111-S681	1	25035718T
S7614 or	PUSH SW	NPS-111-S677	(1)	25035714T
S7616	PUSH SW	NPS-111-S681	1	25035718T
S7616 or	PUSH SW	NPS-111-S677	(1)	25035714T

S7617	PUSH SW	NPS-111-S681	1	25035718T
S7617 or	PUSH SW	NPS-111-S677	(1)	25035714T
S7618	PUSH SW	NPS-111-S681	1	25035718T
S7618 or	PUSH SW	NPS-111-S677	(1)	25035714T
S7619	PUSH SW	NPS-111-S681	1	25035718T
S7619 or	PUSH SW	NPS-111-S677	(1)	25035714T
S7620	PUSH SW	NPS-111-S681	1	25035718T
S7620 or	PUSH SW	NPS-111-S677	(1)	25035714T
S7621	PUSH SW	NPS-111-S681	1	25035718T
S7621 or	PUSH SW	NPS-111-S677	(1)	25035714T
S7622	PUSH SW	NPS-111-S681	1	25035718T
S7622 or	PUSH SW	NPS-111-S677	(1)	25035714T
S7623	PUSH SW	NPS-111-S681	1	25035718T
S7623 or	PUSH SW	NPS-111-S677	(1)	25035714T
S7624	PUSH SW	NPS-111-S681	1	25035718T
S7624 or	PUSH SW	NPS-111-S677	(1)	25035714T
S7625	PUSH SW	NPS-111-S681	1	25035718T
S7625 or	PUSH SW	NPS-111-S677	(1)	25035714T
S7626	PUSH SW	NPS-111-S681	1	25035718T
S7626 or	PUSH SW	NPS-111-S677	(1)	25035714T
S7627	PUSH SW	NPS-111-S681	1	25035718T
S7627 or	PUSH SW	NPS-111-S677	(1)	25035714T
S7629	PUSH SW	NPS-111-S681	1	25035718T
S7629 or	PUSH SW	NPS-111-S677	(1)	25035714T
S7630	PUSH SW	NPS-111-S681	1	25035718T
S7630 or	PUSH SW	NPS-111-S677	(1)	25035714T
S7631	PUSH SW	NPS-111-S681	1	25035718T
S7631 or	PUSH SW	NPS-111-S677	(1)	25035714T
S7632	PUSH SW	NPS-111-S681	1	25035718T
S7632 or	PUSH SW	NPS-111-S677	(1)	25035714T
S7633	PUSH SW	NPS-111-S681	1	25035718T
S7633 or	PUSH SW	NPS-111-S677	(1)	25035714T
S7634	PUSH SW	NPS-111-S681	1	25035718T
S7634 or	PUSH SW	NPS-111-S677	(1)	25035714T
S7635	PUSH SW	NPS-111-S681	1	25035718T
S7635 or	PUSH SW	NPS-111-S677	(1)	25035714T
S7636	PUSH SW	NPS-111-S681	1	25035718T
S7636 or	PUSH SW	NPS-111-S677	(1)	25035714T
S7637	PUSH SW	NPS-111-S681	1	25035718T
S7637 or	PUSH SW	NPS-111-S677	(1)	25035714T
S7638	PUSH SW	NPS-111-S681	1	25035718T
S7638 or	PUSH SW	NPS-111-S677	(1)	25035714T
S7639	PUSH SW	NPS-111-S681	1	25035718T
S7639 or	PUSH SW	NPS-111-S677	(1)	25035714T
S7640	PUSH SW	NPS-111-S681	1	25035718T
S7640 or	PUSH SW	NPS-111-S677	(1)	25035714T
S7641	PUSH SW	NPS-111-S681	1	25035718T
S7641 or	PUSH SW	NPS-111-S677	(1)	25035714T
S7642	PUSH SW	NPS-111-S681	1	25035718T
S7642 or	PUSH SW	NPS-111-S677	(1)	25035714T
S7643	PUSH SW	NPS-111-S681	1	25035718T
S7643 or	PUSH SW	NPS-111-S677	(1)	25035714T
S7644	PUSH SW	NPS-111-S681	1	25035718T
S7644 or	PUSH SW	NPS-111-S677	(1)	25035714T
S7645	PUSH SW	NPS-111-S681	1	25035718T
S7645 or	PUSH SW	NPS-111-S677	(1)	25035714T
S7646	PUSH SW	NPS-111-S681	1	25035718T
S7646 or	PUSH SW	NPS-111-S677	(1)	25035714T
S7647	PUSH SW	NPS-111-S681	1	25035718T
S7647 or	PUSH SW	NPS-111-S677	(1)	25035714T
S7648	PUSH SW	NPS-111-S681	1	25035718T
S7648 or	PUSH SW	NPS-111-S677	(1)	25035714T
S7649	PUSH SW	NPS-111-S681	1	25035718T
S7649 or	PUSH SW	NPS-111-S677	(1)	25035714T
S7650	PUSH SW	NPS-111-S681	1	25035718T
S7650 or	PUSH SW	NPS-111-S677	(1)	25035714T
[TUNER UNIT]				
Q7560	REMO SENS	IRM-3638M3S28	1	24130026

U007

BAHDM-1419-1A

: NSP

CIRCUIT NO. PART NAME

DESCRIPTION

QTY PART NO. (SN)

REMARKS

[SEMI CONDUCTOR]

D3402	C-DIODE	DA2J10100	1	223303R2
D3402 or	C-DIODE	1SS352	(1)	223234R2
D8000	C-DIODE	DA2J10100	1	223303R2
D8000 or	C-DIODE	1SS352	(1)	223234R2
D8001	C-DIODE	DA2J10100	1	223303R2
D8001 or	C-DIODE	1SS352	(1)	223234R2
D8006	C-DIODE	DA2J10100	1	223303R2
D8006 or	C-DIODE	1SS352	(1)	223234R2
D8101	DIODE	DAN217T146	1	223285R2
D8101 or	DIODE	KDS123S	(1)	223312R2
D8103	DIODE	DAN217T146	1	223285R2
D8103 or	DIODE	KDS123S	(1)	223312R2
D8104	ESD D	AOZ8804ADI	1	225502R2
D8105	ESD D	AOZ8804ADI	1	225502R2
D8106	ESD D	AOZ8804ADI	1	225502R2
D8151	C-DIODE	DA2J10100	1	223303R2
D8151 or	C-DIODE	1SS352	(1)	223234R2
D8152	C-DIODE	DA2J10100	1	223303R2
D8152 or	C-DIODE	1SS352	(1)	223234R2
D8301	ZENER D	UDZS3.6B	1	224550360R2
D8617	C-DIODE	DA2J10100	1	223303R2
D8617 or	C-DIODE	1SS352	(1)	223234R2
D8618	C-DIODE	DA2J10100	1	223303R2
D8618 or	C-DIODE	1SS352	(1)	223234R2
D8619	C-DIODE	DA2J10100	1	223303R2
D8619 or	C-DIODE	1SS352	(1)	223234R2
D8631	ESD D	AOZ8804ADI	1	225502R2
D8632	ESD D	AOZ8804ADI	1	225502R2
D8633	DIODE	DAN217T146	1	223285R2
D8633 or	DIODE	KDS123S	(1)	223312R2
D8691	C-DIODE	DA2J10100	1	223303R2
D8691 or	C-DIODE	1SS352	(1)	223234R2
D8701	C-DIODE	DA2J10100	1	223303R2
D8701 or	C-DIODE	1SS352	(1)	223234R2
D8912	C-DIODE	DA2J10100	1	223303R2
D8912 or	C-DIODE	1SS352	(1)	223234R2
D8913	C-DIODE	DA2J10100	1	223303R2
D8913 or	C-DIODE	1SS352	(1)	223234R2
D8922	C-DIODE	DA2J10100	1	223303R2
D8922 or	C-DIODE	1SS352	(1)	223234R2
D8923	C-DIODE	DA2J10100	1	223303R2
D8923 or	C-DIODE	1SS352	(1)	223234R2
D8924	C-DIODE	DA2J10100	1	223303R2
D8924 or	C-DIODE	1SS352	(1)	223234R2
D8932	C-DIODE	DA2J10100	1	223303R2
D8932 or	C-DIODE	1SS352	(1)	223234R2
D8951	C-DIODE	DA2J10100	1	223303R2
D8951 or	C-DIODE	1SS352	(1)	223234R2
D8952	C-DIODE	DA2J10100	1	223303R2
D8952 or	C-DIODE	1SS352	(1)	223234R2
D8985	DIODE	RB050M-30GTR	1	22380373R2
D8986	C-DIODE	DA2J10100	1	223303R2
D8986 or	C-DIODE	1SS352	(1)	223234R2
D8987	C-DIODE	DA2J10100	1	223303R2
D8987 or	C-DIODE	1SS352	(1)	223234R2
D8988	C-DIODE	DA2J10100	1	223303R2
D8988 or	C-DIODE	1SS352	(1)	223234R2
Q3001	IC	D830K013DZKB400	1	22242851R3
Q3002	IC (DSP)	TC58DVM92A5TA10B3H(0642)	1	222W0125R306426
Q3003	IC	EM63A165TSB-6G	1	22242829R2
Q3003 or	IC	K4S561632J-UC75	(1)	22242524AR3
Q3003 or	IC	A3V56S40FTP-G6	(1)	22242764R2
Q3003 or	IC	A3V56S40GTP-60RX	(1)	22242891R2
Q3004	IC	EM63A165TSB-6G	1	22242829R2
Q3004 or	IC	K4S561632J-UC75	(1)	22242524AR3
Q3004 or	IC	A3V56S40FTP-G6	(1)	22242764R2
Q3004 or	IC	A3V56S40GTP-60RX	(1)	22242891R2
Q3005	IC	TC7W32FU	1	22241162R2
Q3006	IC	S-80127CNMC-JKM-T2	1	22241642R2
Q3101	IC	TPD2E001DRLR	1	22242589R2
Q3102	IC	FP6861C-B1AS5CT	1	22242840R2
Q3103	IC	BU18TD3WG-TR	1	22242716R2
Q3104	IC	TPD2E001DRLR	1	22242589R2
Q3106	IC	BU33TD3WG-TR	1	22242715R2
Q3107	TR	2SC2712-GR	1	2213145R2
Q3107 or	TR	KTC3875-GR	(1)	2216175R2

Q3108	IC	KSZ8051RNL(REVA2)	1	22242723AR2	
Q3109	IC	S-13A1A12-U5T1U3	1	22242841R2	
Q3110	IC	FP6861C-B1AS5CT	1	22242840R2	
Q3111	TR	2SC2712-GR	1	2213145R2	
Q3111 or	TR	KTC3875-GR	(1)	2216175R2	
Q3301	IC	TC74VHC541FT(EKJ)	1	22274541E1R2TO	
Q3303	IC	TC74LCX125FT(EL_K)	1	22274125BR2TO	
Q3305	TR ARRAY	UM6K1N	1	226066R2	
Q3305 or	TR ARRAY	UPA672T	(1)	226067R2	
Q3305 or	TR ARRAY	RT3K66M-T111-1	(1)	226069R2	
Q3361	IC	TC74LCX125FT(EL_K)	1	22274125BR2TO	
Q3362	TR	KRC104S	1	2216210R2	
Q3362 or	TR	RN1404	(1)	2214490R2	
Q3371	IC	PCM1754DBQR	1	22242598R2	
Q3382	IC	TC74VHC157FT	1	22274157ER2TO	
Q3401	IC(DSP2)	EN25QH16-104HIP(0643)	1	222W0130R206437	
Q3403	IC	TC7WHU04FU(TE12L)	1	22242231R2	
Q3404	IC	ADSST-AVR-4010	1	22242849R3	N
Q3406	IC	EM638165TSB-7G	1	22242775R2	
Q3406 or	IC	H57V6462GTR-60C	(1)	22242888R3	
Q3408	IC	TC7MBL3245SFT	1	22242539R2TO	
Q3410	TR	KRC104S	1	2216210R2	
Q3410 or	TR	RN1404	(1)	2214490R2	
Q3411	IC	BD82065FVJ	1	22242718R2	
Q3412	IC	XC25BS8027MR-G	1	22242866R2	N
Q3413	IC	XC25BS8070MR-G	1	22242865R2	N
Q3414	IC	TC74LCX125FT(EL_K)	1	22274125BR2TO	
Q8000	IC	88DE2755B0-BIF2C000	1	22242752R3	
Q8010	IC	BU18TD3WG-TR	1	22242716R2	
Q8011	IC	S-13A1A15-U5T1U3	1	22242842R2	
Q8012	IC	TPS51100DGQR	1	22242711R2	
Q8030	IC	TC7WHU04FU(TE12L)	1	22242231R2	
Q8031	IC	NC7SZ08P5X_F042	1	22242482R2	
Q8031 or	IC	TC7SZ08FU(TE85L_F)	(1)	22242071R2TO	
Q8032	IC	SN74CB3T3306DCT	1	22242454R2	
Q8040	IC(VSP)	W25Q128BVF1G(0637)	1	222W0116R20637A	
Q8041	IC	TC74LCX125FT(EL_K)	1	22274125BR2TO	
Q8080	IC	K4B1G1646G-BCK0	1	22242710R3	
Q8113	TR	KRA102S	1	2216220R2	
Q8151	IC	SI9575CTUC	1	22242783R3	
Q8152	IC	XC6221B132MR	1	22242809R2	
Q8153	IC	XC6221B132MR	1	22242809R2	
Q8201	IC	ADV7844	1	22242696R3	
Q8202	IC	EM638165TSB-7G	1	22242775R2	
Q8202 or	IC	H57V6462GTR-60C	(1)	22242888R3	
Q8206	IC	BU18TD3WG-TR	1	22242716R2	
Q8290	IC	TC74LCX125FT(EL_K)	1	22274125BR2TO	
Q8291	TR	KRC104S	1	2216210R2	
Q8291 or	TR	RN1404	(1)	2214490R2	
Q8301	IC	SI9575CTUC	1	22242783R3	
Q8302	IC(VSP2)	EN25QH16-104HIP(0641)	1	222W0130R20641B	
Q8303	TR	2SA1162-GR	1	2214375R2	
Q8303 or	TR	KTA1504-GR	(1)	2216185R2	
Q8304	TR	RN2401(TE85L_F)	1	2214520R2	
Q8304 or	TR	KRA101S	(1)	2217840R2	
Q8305	TR	KRC104S	1	2216210R2	
Q8305 or	TR	RN1404	(1)	2214490R2	
Q8308	TR	RN2401(TE85L_F)	1	2214520R2	
Q8308 or	TR	KRA101S	(1)	2217840R2	
Q8309	TR	KRC104S	1	2216210R2	
Q8309 or	TR	RN1404	(1)	2214490R2	
Q8601	TR	KRC105S	1	2217290R2	
Q8602	TR	KRC105S	1	2217290R2	
Q8603	TR	KRC105S	1	2217290R2	
Q8654	TR ARRAY	UM6K1N	1	226066R2	
Q8654 or	TR ARRAY	UPA672T	(1)	226067R2	
Q8654 or	TR ARRAY	RT3K66M-T111-1	(1)	226069R2	
Q8691	TR	KRC105S	1	2217290R2	
Q8701	IC(HDMI/VIDEO)	TMPM361F10FG(0636)	1	222W0115R30636S	
Q8702	TR ARRAY	UM6K1N	1	226066R2	
Q8702 or	TR ARRAY	UPA672T	(1)	226067R2	
Q8702 or	TR ARRAY	RT3K66M-T111-1	(1)	226069R2	
Q8703	IC	TC74LCX125FT(EL_K)	1	22274125BR2TO	
Q8704	TR	KRC104S	1	2216210R2	
Q8704 or	TR	RN1404	(1)	2214490R2	
Q8711	IC	S-58LM20A-N4T1U	1	22242813R2	

Q8901	IC	FR9888CSPCTR	1	22242839R2
Q8902	TR	2SC2712-GR	1	2213145R2
Q8902 or	TR	KTC3875-GR	(1)	2216175R2
Q8911	IC	FR9888CSPCTR	1	22242839R2
Q8912	TR	2SC2712-GR	1	2213145R2
Q8912 or	TR	KTC3875-GR	(1)	2216175R2
Q8921	IC	FR9888CSPCTR	1	22242839R2
Q8922	TR	2SC2712-GR	1	2213145R2
Q8922 or	TR	KTC3875-GR	(1)	2216175R2
Q8931	IC	FR9888CSPCTR	1	22242839R2
Q8932	TR	2SC2712-GR	1	2213145R2
Q8932 or	TR	KTC3875-GR	(1)	2216175R2
Q8941	IC	FR9888CSPCTR	1	22242839R2
Q8951	IC	S-1172B50-U5T1G	1	22242765R2
Q8954	IC	MM3404A50NRE	1	22242701R2
Q8955	IC	TPS22924CYZPR	1	22242807R2
Q8956	TR	KRC104S	1	2216210R2
Q8956 or	TR	RN1404	(1)	2214490R2
Q8957	IC	TPS22924CYZPR	1	22242807R2
Q8958	TR	KRC104S	1	2216210R2
Q8958 or	TR	RN1404	(1)	2214490R2
Q8959	IC	TPS22924CYZPR	1	22242807R2
Q8960	TR	KRC104S	1	2216210R2
Q8960 or	TR	RN1404	(1)	2214490R2
Q8961	IC	TPS22924CYZPR	1	22242807R2
Q8962	TR	KRC104S	1	2216210R2
Q8962 or	TR	RN1404	(1)	2214490R2
Q8975	IC	XC6701B502PR	1	22242808R2
Q8981	TR	RN2401(TE85L_F)	1	2214520R2
Q8981 or	TR	KRA101S	(1)	2217840R2
Q8982	TR	KRC104S	1	2216210R2
Q8982 or	TR	RN1404	(1)	2214490R2
Q8985	IC	TPS22924CYZPR	1	22242807R2
Q8986	IC	TC74VHC157FT	1	22274157ER2TO
[TRANS COIL]				
L3001	CORE	BLM18PG121SN1D	1	2350006R1
L3002	CORE	BLM18PG121SN1D	1	2350006R1
L3003	CORE	BLM18PG121SN1D	1	2350006R1
L3004	CORE	BLM18PG121SN1D	1	2350006R1
L3005	CORE	BLM18PG121SN1D	1	2350006R1
L3006	CORE	BLM18PG181SN1D	1	2350005R1
L3101	CORE	DLP11SA900HL2L	1	2350021R2
L3103	CORE	BLM18PG121SN1D	1	2350006R1
L3104	CORE	BLM18PG121SN1D	1	2350006R1
L3105	CORE	BLM18PG121SN1D	1	2350006R1
L3106	CORE	BLM18PG121SN1D	1	2350006R1
L3107	CORE	BLM18PG181SN1D	1	2350005R1
L3108	CORE	BLM18PG181SN1D	1	2350005R1
L3109	CORE	BLM18PG121SN1D	1	2350006R1
L3110	CORE	BLM18PG121SN1D	1	2350006R1
L3111	CORE	BLM18PG121SN1D	1	2350006R1
L3112	CORE	DLP11SA900HL2L	1	2350021R2
L3113	CORE	BLM18PG181SN1D	1	2350005R1
L3145	CORE	DLP2ADN900HL4L	1	230990R2
L3203	CORE	MMZ1608Y601BT	1	2350004R1
L3209	CORE	MMZ1608Y601BT	1	2350004R1
L3302	CORE	MMZ1608Y601BT	1	2350004R1
L3303	CORE	MMZ1608Y601BT	1	2350004R1
L3371	CORE	BLM18PG181SN1D	1	2350005R1
L3381	CORE	BLM18PG181SN1D	1	2350005R1
L3401	CORE	BLM18PG121SN1D	1	2350006R1
L3402	CORE	MMZ1608Y601BT	1	2350004R1
L3403	CORE	MMZ1608Y601BT	1	2350004R1
L3405	CORE	BLM18PG121SN1D	1	2350006R1
L3406	CORE	BLM18PG121SN1D	1	2350006R1
L3407	CORE	BLM18PG121SN1D	1	2350006R1
L3408	CORE	BLM18PG121SN1D	1	2350006R1
L3409	CORE	BLM18PG181SN1D	1	2350005R1
L3410	CORE	BLM18PG121SN1D	1	2350006R1
L8000	CORE	BLM18PG181SN1D	1	2350005R1
L8001	CORE	BLM18PG181SN1D	1	2350005R1
L8002	CORE	BLM18PG181SN1D	1	2350005R1
L8003	CORE	BLM18PG181SN1D	1	2350005R1
L8004	CORE	BLM18PG181SN1D	1	2350005R1
L8005	CORE	BLM18PG181SN1D	1	2350005R1
L8006	CORE	BLM18PG121SN1D	1	2350006R1

L8007	CORE	BLM18PG181SN1D	1	2350005R1
L8008	CORE	BLM18PG181SN1D	1	2350005R1
L8009	CORE	BLM18PG181SN1D	1	2350005R1
L8010	CORE	BLM18PG181SN1D	1	2350005R1
L8011	CORE	BLM18PG181SN1D	1	2350005R1
L8012	CORE	BLM18PG181SN1D	1	2350005R1
L8013	CORE	BLM18PG181SN1D	1	2350005R1
L8081	CORE	BLM18PG181SN1D	1	2350005R1
L8082	C-R NET	MNR12E0APJ000	1	43464900002R2
L8082 or	C-R NET	YCN162-000-ZL	(1)	43464B00002R1
L8083	C-R NET	MNR12E0APJ000	1	43464900002R2
L8083 or	C-R NET	YCN162-000-ZL	(1)	43464B00002R1
L8084	C-R NET	MNR12E0APJ000	1	43464900002R2
L8084 or	C-R NET	YCN162-000-ZL	(1)	43464B00002R1
L8085	C-R NET	MNR12E0APJ000	1	43464900002R2
L8085 or	C-R NET	YCN162-000-ZL	(1)	43464B00002R1
L8086	CORE	BLM18PG181SN1D	1	2350005R1
L8151	CORE	BLM18PG181SN1D	1	2350005R1
L8152	CORE	BLM18PG181SN1D	1	2350005R1
L8153	CORE	BLM18PG181SN1D	1	2350005R1
L8154	CORE	BLM18PG181SN1D	1	2350005R1
L8155	CORE	BLM18PG181SN1D	1	2350005R1
L8156	CORE	BLM18PG181SN1D	1	2350005R1
L8202	CORE	BLM18PG181SN1D	1	2350005R1
L8203	CORE	BLM18PG181SN1D	1	2350005R1
L8204	CORE	BLM18PG181SN1D	1	2350005R1
L8205	CORE	BLM18PG181SN1D	1	2350005R1
L8206	CORE	BLM18PG181SN1D	1	2350005R1
L8207	CORE	BLM18PG181SN1D	1	2350005R1
L8208	CORE	BLM18PG181SN1D	1	2350005R1
L8301	CORE	BLM18PG181SN1D	1	2350005R1
L8302	CORE	BLM18PG181SN1D	1	2350005R1
L8303	CORE	BLM18PG181SN1D	1	2350005R1
L8304	CORE	BLM18PG181SN1D	1	2350005R1
L8305	CORE	BLM18PG181SN1D	1	2350005R1
L8306	CORE	BLM18PG181SN1D	1	2350005R1
L8307	CORE	BLM18PG181SN1D	1	2350005R1
L8308	EMIFIL	BK1608LL241-T	1	230959R1
L8309	EMIFIL	BK1608LL241-T	1	230959R1
L8603	CORE	BLM18PG181SN1D	1	2350005R1
L8632	C-R NET	MNR12E0APJ000	1	43464900002R2
L8632 or	C-R NET	YCN162-000-ZL	(1)	43464B00002R1
L8633	C-R NET	MNR12E0APJ000	1	43464900002R2
L8633 or	C-R NET	YCN162-000-ZL	(1)	43464B00002R1
L8634	C-R NET	MNR12E0APJ000	1	43464900002R2
L8634 or	C-R NET	YCN162-000-ZL	(1)	43464B00002R1
L8635	C-R NET	MNR12E0APJ000	1	43464900002R2
L8635 or	C-R NET	YCN162-000-ZL	(1)	43464B00002R1
L8701	CORE	BLM18PG181SN1D	1	2350005R1
L8901	CHOKE COIL	BLM21PG221SN1	1	230949R2
L8902	CHOKE COIL	C6-K5RA-10UH	1	231451P100R2
L8903	CHOKE COIL	BLM21PG221SN1	1	230949R2
L8904	CHOKE COIL	BLM21PG221SN1	1	230949R2
L8911	CHOKE COIL	BLM21PG221SN1	1	230949R2
L8912	CHOKE COIL	C6-K5RA-10UH	1	231451P100R2
L8913	CHOKE COIL	BLM21PG221SN1	1	230949R2
L8914	CHOKE COIL	BLM21PG221SN1	1	230949R2
L8921	CHOKE COIL	BLM21PG221SN1	1	230949R2
L8922	CHOKE COIL	C6-K5RA-10UH	1	231451P100R2
L8923	CHOKE COIL	BLM21PG221SN1	1	230949R2
L8924	CHOKE COIL	BLM21PG221SN1	1	230949R2
L8931	CHOKE COIL	BLM21PG221SN1	1	230949R2
L8932	CHOKE COIL	C6-K5RA-10UH	1	231451P100R2
L8933	CHOKE COIL	BLM21PG221SN1	1	230949R2
L8934	CHOKE COIL	BLM21PG221SN1	1	230949R2
L8941	CHOKE COIL	BLM21PG221SN1	1	230949R2
L8942	CHOKE COIL	C6-K5RA-10UH	1	231451P100R2
L8943	CHOKE COIL	BLM21PG221SN1	1	230949R2
L8944	CHOKE COIL	BLM21PG221SN1	1	230949R2
L8951	CORE	BLM18PG181SN1D	1	2350005R1
L8953	CORE	BLM18PG181SN1D	1	2350005R1
L8954	CORE	BLM18PG181SN1D	1	2350005R1
L8985	CORE	BLM18PG121SN1D	1	2350006R1
L8986	CORE	MMZ1608Y601BT	1	2350004R1
L8987	EMIFIL	BK1608LL241-T	1	230959R1
L8988	EMIFIL	BK1608LL241-T	1	230959R1

X3001	CRYSTAL	HC-49S 9C20.0000M	1	3010514R2
X3401	CRYSTAL	HC-49S 9C24.5760M	1	3010516R2
X8000	CRYSTAL	HC-49S 9C20.0000M	1	3010514R2
X8151	CRYSTAL	HC-49S 9C27.0000M	1	3010518R2
X8201	CRYSTAL	HC-49S 9C28.6363M	1	3010519R2
X8301	CRYSTAL	HC-49S 9C27.0000M	1	3010518R2
X8701	CERA LOCK	CSTCE8M00G55-R0	1	3010416R2
[CAPACITOR]				
C3001	C-CERA C	CK725B1A-105K0	1	332001055R1
C3002	C-CERA C	CK725B1A-105K0	1	332001055R1
C3003	C-CERA C	CK732B16V-106K	1	332071065R2
C3004	C-CERA C	CK732B16V-106K	1	332071065R2
C3005	C-CERA C	CK725B1A-105K0	1	332001055R1
C3006	C-CERA C	CK725B1H-102K0	1	332031025R1
C3007	C-CERA C	CK725B1A-105K0	1	332001055R1
C3008	C-CERA C	CK725B1H-102K0	1	332031025R1
C3009	C-CERA C	CK725B1A-105K0	1	332001055R1
C3010	C-CERA C	CK725B1A-105K0	1	332001055R1
C3011	C-CERA C	CK725B1A-105K0	1	332001055R1
C3012	C-CERA C	CK725B1H-102K0	1	332031025R1
C3013	C-CERA C	CK725B1A-105K0	1	332001055R1
C3014	C-CERA C	CK725B1H-102K0	1	332031025R1
C3015	C-CERA C	CK725B1H-102K0	1	332031025R1
C3016	C-CERA C	CK725B1A-105K0	1	332001055R1
C3017	C-CERA C	CK725B1A-105K0	1	332001055R1
C3018	C-CERA C	CK725B1A-105K0	1	332001055R1
C3019	C-CERA C	CK725B1H-102K0	1	332031025R1
C3020	C-CERA C	CK725B1A-105K0	1	332001055R1
C3021	C-CERA C	CK725B1A-105K0	1	332001055R1
C3022	C-CERA C	CK725B1A-105K0	1	332001055R1
C3023	C-CERA C	CK732B16V-106K	1	332071065R2
C3024	C-CERA C	CK725B1H-102K0	1	332031025R1
C3025	C-CERA C	CK725B1A-105K0	1	332001055R1
C3026	C-CERA C	CK725B1C-104K0	1	332011045R1
C3027	C-CERA C	CK725B1H-102K0	1	332031025R1
C3028	C-CERA C	CK725B1A-105K0	1	332001055R1
C3029	C-CERA C	CK725B1H-102K0	1	332031025R1
C3030	C-CERA C	CK725B1A-105K0	1	332001055R1
C3031	C-CERA C	CK725B1A-105K0	1	332001055R1
C3032	C-CERA C	CK725B1H-102K0	1	332031025R1
C3033	C-CERA C	CK725B1A-105K0	1	332001055R1
C3034	C-CERA C	CC725CH1H-270J0	1	342032704R1
C3035	C-CERA C	CK725B1H-102K0	1	332031025R1
C3036	C-CERA C	CC725CH1H-270J0	1	342032704R1
C3037	C-CERA C	CK725B1A-105K0	1	332001055R1
C3038	C-CERA C	CK725B1A-105K0	1	332001055R1
C3039	C-CERA C	CK725B1H-103K0	1	332031035R1
C3040	C-CERA C	CK725B1A-105K0	1	332001055R1
C3041	C-CERA C	CK732B16V-106K	1	332071065R2
C3042	C-CERA C	CK725B1A-105K0	1	332001055R1
C3043	C-CERA C	CK725B1A-105K0	1	332001055R1
C3101	C-CERA C	CK725B0J-226M	1	332092267R2
C3102	C-CERA C	CK725B1H-102K0	1	332031025R1
C3103	C-CERA C	CK725B0J-226M	1	332092267R2
C3104	C-CERA C	CK725B1E-106K	1	332221065R2
C3105	C-CERA C	CK725B1A-105K0	1	332001055R1
C3106	C-CERA C	CK732B16V-106K	1	332071065R2
C3107	C-CERA C	CK725B1A-105K0	1	332001055R1
C3108	C-CERA C	CK725B1A-105K0	1	332001055R1
C3109	C-CERA C	CK732B16V-106K	1	332071065R2
C3110	C-CERA C	CK725B1A-224K0	1	332002245R1
C3112	C-CERA C	CK732B16V-106K	1	332071065R2
C3113	C-CERA C	CK725B1A-105K0	1	332001055R1
C3114	C-CERA C	CK725B1A-105K0	1	332001055R1
C3115	C-CERA C	CK732B16V-106K	1	332071065R2
C3116	C-CERA C	CK732B16V-106K	1	332071065R2
C3119	C-CERA C	CK725B1A-105K0	1	332001055R1
C3120	C-CERA C	CK732B16V-106K	1	332071065R2
C3121	C-CERA C	CK725B1C-104K0	1	332011045R1
C3122	C-CERA C	CK725B1A-105K0	1	332001055R1
C3123	C-CERA C	CK732B16V-106K	1	332071065R2
C3124	C-CERA C	CK732B16V-106K	1	332071065R2
C3125	C-CERA C	CK732B16V-106K	1	332071065R2
C3126	C-CERA C	CK732B16V-106K	1	332071065R2
C3127	C-CERA C	CK725B1A-105K0	1	332001055R1
C3128	C-CERA C	CK725B1A-105K0	1	332001055R1

C3129	C-CERA C	CK725B1A-105K0	1	332001055R1
C3130	C-CERA C	CK732B16V-106K	1	332071065R2
C3131	C-CERA C	CK725B1A-105K0	1	332001055R1
C3132	C-CERA C	CC725CH1H-101J0	1	342031014R1
C3133	C-CERA C	CK725B1A-105K0	1	332001055R1
C3136	C-CERA C	CK725B1A-105K0	1	332001055R1
C3137	C-CERA C	CK725B1A-105K0	1	332001055R1
C3138	C-CERA C	CK725B1A-105K0	1	332001055R1
C3139	C-CERA C	CK725B1A-105K0	1	332001055R1
C3140	C-CERA C	CK725B1A-105K0	1	332001055R1
C3141	C-CERA C	CK725B1C-104K0	1	332011045R1
C3142	C-CERA C	CK725B1C-104K0	1	332011045R1
C3143	C-CERA C	CK725B1A-105K0	1	332001055R1
C3144	C-CERA C	CK725B1A-105K0	1	332001055R1
C3145	C-CERA C	CK732B16V-106K	1	332071065R2
C3146	C-CERA C	CK725B1A-105K0	1	332001055R1
C3147	C-CERA C	CK725B0J-226M	1	332092267R2
C3148	C-CERA C	CK725B1C-104K0	1	332011045R1
C3149	C-CERA C	CK725B1A-105K0	1	332001055R1
C3150	C-CERA C	CK732B16V-106K	1	332071065R2
C3151	C-CERA C	CK725B0J-226M	1	332092267R2
C3152	C-CERA C	CK732B16V-106K	1	332071065R2
C3153	C-CERA C	CK725B1A-105K0	1	332001055R1
C3154	C-CERA C	CK732B16V-106K	1	332071065R2
C3155	C-CERA C	CK725B1A-105K0	1	332001055R1
C3156	C-CERA C	CK725B1H-102K0	1	332031025R1
C3157	C-CERA C	CK725B1A-105K0	1	332001055R1
C3158	C-CERA C	CK725B1A-105K0	1	332001055R1
C3159	C-CERA C	CK725B1A-105K0	1	332001055R1
C3161	C-CERA C	CK725B1C-104K0	1	332011045R1
C3162	C-CERA C	CK725B1C-104K0	1	332011045R1
C3163	C-CERA C	CK725B0J-226M	1	332092267R2
C3164	C-CERA C	CK725B0J-226M	1	332092267R2
C3165	C-CERA C	CK725B0J-226M	1	332092267R2
C3301	C-CERA C	CK725B1C-104K0	1	332011045R1
C3303	C-CERA C	CK725B1C-104K0	1	332011045R1
C3307	C-CERA C	CK725B1C-104K0	1	332011045R1
C3361	C-CERA C	CK725B1C-104K0	1	332011045R1
C3363	C-CERA C	CK725B1C-104K0	1	332011045R1
C3371	C-CERA C	CK732B16V-106K	1	332071065R2
C3372	C-CERA C	CK725B1A-105K0	1	332001055R1
C3373	C-CERA C	CK732B16V-106K	1	332071065R2
C3374	C-CERA C	CK725B1A-105K0	1	332001055R1
C3382	C-CERA C	CK725B1C-104K0	1	332011045R1
C3384	C-CERA C	CK732B16V-106K	1	332071065R2
C3387	C-CERA C	CK725B1C-104K0	1	332011045R1
C3388	C-CERA C	CK725B1C-104K0	1	332011045R1
C3389	C-CERA C	CK725B1C-104K0	1	332011045R1
C3390	C-CERA C	CK725B1C-104K0	1	332011045R1
C3391	C-CERA C	CK725B1C-104K0	1	332011045R1
C3392	C-CERA C	CK725B1C-104K0	1	332011045R1
C3393	C-CERA C	CK725B1C-104K0	1	332011045R1
C3394	C-CERA C	CK725B1C-104K0	1	332011045R1
C3395	C-CERA C	CK725B1C-104K0	1	332011045R1
C3396	C-CERA C	CK725B1C-104K0	1	332011045R1
C3397	C-CERA C	CK725B1C-104K0	1	332011045R1
C3398	C-CERA C	CK725B1C-104K0	1	332011045R1
C3399	C-CERA C	CK725B1C-104K0	1	332011045R1
C3400	C-CERA C	CK725B1C-104K0	1	332011045R1
C3401	C-CERA C	CK725B1C-104K0	1	332011045R1
C3402	C-CERA C	CK725B1C-104K0	1	332011045R1
C3403	C-CERA C	CK725B1C-104K0	1	332011045R1
C3404	C-CERA C	CK725B1C-104K0	1	332011045R1
C3405	C-CERA C	CK725B1C-104K0	1	332011045R1
C3406	C-CERA C	CK725B1A-105K0	1	332001055R1
C3407	C-CERA C	CK725B1A-105K0	1	332001055R1
C3408	C-CERA C	CK732B16V-106K	1	332071065R2
C3409	C-CERA C	CK725B1A-105K0	1	332001055R1
C3410	C-CERA C	CK725B1C-104K0	1	332011045R1
C3411	C-CERA C	CK725B1C-104K0	1	332011045R1
C3412	C-CERA C	CK725B1C-104K0	1	332011045R1
C3413	C-CERA C	CC725CH1H-220J0	1	342032204R1
C3414	C-CERA C	CC725CH1H-220J0	1	342032204R1
C3415	C-CERA C	CK725B1C-104K0	1	332011045R1
C3416	C-CERA C	CK725B1C-104K0	1	332011045R1
C3417	C-CERA C	CK725B1C-104K0	1	332011045R1

C3418	C-CERA C	CK725B1C-104K0	1	332011045R1
C3419	C-CERA C	CK725B1C-104K0	1	332011045R1
C3420	C-CERA C	CK725B1C-104K0	1	332011045R1
C3421	C-CERA C	CK725B1C-104K0	1	332011045R1
C3422	C-CERA C	CK725B1C-104K0	1	332011045R1
C3423	C-CERA C	CK725B1C-104K0	1	332011045R1
C3424	C-CERA C	CK725B1C-104K0	1	332011045R1
C3425	C-CERA C	CK725B1C-104K0	1	332011045R1
C3426	C-CERA C	CK725B1H-102K0	1	332031025R1
C3427	C-CERA C	CK725B1C-104K0	1	332011045R1
C3428	C-CERA C	CK725B1H-102K0	1	332031025R1
C3429	C-CERA C	CK725B1C-104K0	1	332011045R1
C3431	C-CERA C	CK725B1H-102K0	1	332031025R1
C3432	C-CERA C	CK725B1H-102K0	1	332031025R1
C3433	C-CERA C	CK725B1A-105K0	1	332001055R1
C3434	C-CERA C	CK732B16V-106K	1	332071065R2
C3435	C-CERA C	CK732B16V-106K	1	332071065R2
C3436	C-CERA C	CK732B16V-106K	1	332071065R2
C3437	C-CERA C	CK725B1C-104K0	1	332011045R1
C3438	C-CERA C	CK725B1C-104K0	1	332011045R1
C3439	C-CERA C	CK725B1C-104K0	1	332011045R1
C3440	C-CERA C	CK725B1C-104K0	1	332011045R1
C3441	C-CERA C	CK725B1A-105K0	1	332001055R1
C3442	C-CERA C	CK732B16V-106K	1	332071065R2
C3443	C-CERA C	CK725B1A-105K0	1	332001055R1
C3444	C-CERA C	CK725B1A-105K0	1	332001055R1
C3445	C-CERA C	CK725B1A-105K0	1	332001055R1
C3446	C-CERA C	CK725B1A-105K0	1	332001055R1
C3447	C-CERA C	CK725B1A-105K0	1	332001055R1
C3448	C-CERA C	CK725B1C-104K0	1	332011045R1
C3449	C-CERA C	CK725B1C-104K0	1	332011045R1
C3450	C-CERA C	CK725B1H-102K0	1	332031025R1
C3457	C-CERA C	CK725B1A-105K0	1	332001055R1
C3458	C-CERA C	CK725B1A-105K0	1	332001055R1
C3459	C-CERA C	CK725B1A-105K0	1	332001055R1
C3460	C-CERA C	CK725B1C-104K0	1	332011045R1
C3461	C-CERA C	CK725B1C-104K0	1	332011045R1
C3462	C-CERA C	CK732B16V-106K	1	332071065R2
C3466	C-CERA C	CK725B1C-104K0	1	332011045R1
C3603	C-CERA C	CK725B1C-104K0	1	332011045R1
C3605	C-CERA C	CK725B0J-226M	1	332092267R2
C3606	C-CERA C	CK725B0J-226M	1	332092267R2
C3607	C-CERA C	CK725B0J-226M	1	332092267R2
C3609	C-CERA C	CK725B1C-104K0	1	332011045R1
C3610	C-CERA C	CK725B1C-104K0	1	332011045R1
C3611	C-CERA C	CK725B1C-104K0	1	332011045R1
C3612	C-CERA C	CK725B1C-104K0	1	332011045R1
C3613	C-CERA C	CK725B1C-104K0	1	332011045R1
C3614	C-CERA C	CK725B1C-104K0	1	332011045R1
C8000	C-CERA C	CK732B16V-106K	1	332071065R2
C8002	C-CERA C	CK732B16V-106K	1	332071065R2
C8004	C-CERA C	CK725B1C-104K0	1	332011045R1
C8005	C-CERA C	CK725B0J-226M	1	332092267R2
C8006	C-CERA C	CK725B1C-104K0	1	332011045R1
C8007	C-CERA C	CK732B16V-106K	1	332071065R2
C8008	C-CERA C	CK725B0J-226M	1	332092267R2
C8009	C-CERA C	CK725B1C-104K0	1	332011045R1
C8011	C-CERA C	CK732B16V-106K	1	332071065R2
C8013	C-CERA C	CK725B0J-226M	1	332092267R2
C8014	C-CERA C	CK725B1A-105K0	1	332001055R1
C8015	C-CERA C	CK725B1A-105K0	1	332001055R1
C8016	C-CERA C	CK725B1A-105K0	1	332001055R1
C8017	C-CERA C	CK725B1A-105K0	1	332001055R1
C8018	C-CERA C	CK725B1C-104K0	1	332011045R1
C8019	C-CERA C	CK725B1C-104K0	1	332011045R1
C8020	C-CERA C	CK725B1C-104K0	1	332011045R1
C8021	C-CERA C	CK725B1C-104K0	1	332011045R1
C8022	C-CERA C	CK725B1C-104K0	1	332011045R1
C8023	C-CERA C	CK725B1C-104K0	1	332011045R1
C8024	C-CERA C	CK725B1C-104K0	1	332011045R1
C8026	C-CERA C	CK732B16V-106K	1	332071065R2
C8027	C-CERA C	CK732B16V-106K	1	332071065R2
C8028	C-CERA C	CK725B1A-105K0	1	332001055R1
C8029	C-CERA C	CK725B1A-105K0	1	332001055R1
C8030	C-CERA C	CK725B1A-105K0	1	332001055R1
C8031	C-CERA C	CK725B1C-104K0	1	332011045R1

C8032	C-CERA C	CK725B1C-104K0	1	332011045R1
C8033	C-CERA C	CK725B1C-104K0	1	332011045R1
C8034	C-CERA C	CK725B1C-104K0	1	332011045R1
C8036	C-CERA C	CK725B0J-226M	1	332092267R2
C8037	C-CERA C	CK725B0J-226M	1	332092267R2
C8038	C-CERA C	CK725B1A-105K0	1	332001055R1
C8039	C-CERA C	CK725B1A-105K0	1	332001055R1
C8040	C-CERA C	CK725B1A-105K0	1	332001055R1
C8041	C-CERA C	CK725B1A-105K0	1	332001055R1
C8042	C-CERA C	CK725B1C-104K0	1	332011045R1
C8043	C-CERA C	CK725B1C-104K0	1	332011045R1
C8044	C-CERA C	CK725B1C-104K0	1	332011045R1
C8045	C-CERA C	CK725B1C-104K0	1	332011045R1
C8046	C-CERA C	CK725B1C-104K0	1	332011045R1
C8047	C-CERA C	CK725B1C-104K0	1	332011045R1
C8050	C-CERA C	CK732B16V-106K	1	332071065R2
C8051	C-CERA C	CK732B16V-106K	1	332071065R2
C8052	C-CERA C	CK725B1A-105K0	1	332001055R1
C8053	C-CERA C	CK725B1A-105K0	1	332001055R1
C8054	C-CERA C	CK725B1C-104K0	1	332011045R1
C8055	C-CERA C	CK725B1C-104K0	1	332011045R1
C8056	C-CERA C	CK725B1C-104K0	1	332011045R1
C8058	C-CERA C	CK725B1C-104K0	1	332011045R1
C8060	C-CERA C	CK732B16V-106K	1	332071065R2
C8061	C-CERA C	CK732B16V-106K	1	332071065R2
C8062	C-CERA C	CK725B1A-105K0	1	332001055R1
C8063	C-CERA C	CK725B1C-104K0	1	332011045R1
C8064	C-CERA C	CK725B1C-104K0	1	332011045R1
C8065	C-CERA C	CK725B1C-104K0	1	332011045R1
C8066	C-CERA C	CK732B16V-106K	1	332071065R2
C8067	C-CERA C	CK732B16V-106K	1	332071065R2
C8068	C-CERA C	CK725B1A-105K0	1	332001055R1
C8069	C-CERA C	CK725B1C-104K0	1	332011045R1
C8070	C-CERA C	CK725B1C-104K0	1	332011045R1
C8071	C-CERA C	CK725B1C-104K0	1	332011045R1
C8072	C-CERA C	CK732B16V-106K	1	332071065R2
C8073	C-CERA C	CK732B16V-106K	1	332071065R2
C8075	C-CERA C	CK725B0J-226M	1	332092267R2
C8076	C-CERA C	CK725B0J-226M	1	332092267R2
C8078	C-CERA C	CK732B16V-106K	1	332071065R2
C8079	C-CERA C	CK732B16V-106K	1	332071065R2
C8080	C-CERA C	CK732B16V-106K	1	332071065R2
C8081	C-CERA C	CK732B16V-106K	1	332071065R2
C8082	C-CERA C	CK725B1A-105K0	1	332001055R1
C8083	C-CERA C	CK725B1A-105K0	1	332001055R1
C8084	C-CERA C	CK725B1A-105K0	1	332001055R1
C8085	C-CERA C	CK725B1A-105K0	1	332001055R1
C8086	C-CERA C	CK725B1A-105K0	1	332001055R1
C8087	C-CERA C	CK725B1A-105K0	1	332001055R1
C8088	C-CERA C	CK725B1A-105K0	1	332001055R1
C8089	C-CERA C	CK725B1A-105K0	1	332001055R1
C8090	C-CERA C	CK725B1A-105K0	1	332001055R1
C8091	C-CERA C	CK725B1A-105K0	1	332001055R1
C8092	C-CERA C	CK725B1A-105K0	1	332001055R1
C8093	C-CERA C	CK725B1A-105K0	1	332001055R1
C8094	C-CERA C	CK725B1A-105K0	1	332001055R1
C8095	C-CERA C	CK732B16V-106K	1	332071065R2
C8096	C-CERA C	CK725B1A-105K0	1	332001055R1
C8097	C-CERA C	CK732B16V-106K	1	332071065R2
C8098	C-CERA C	CK725B1A-105K0	1	332001055R1
C8100	C-CERA C	CK725B1H-102K0	1	332031025R1
C8101	C-CERA C	CK725B1H-102K0	1	332031025R1
C8105	C-CERA C	CK725B1A-105K0	1	332001055R1
C8106	C-CERA C	CK725B1A-105K0	1	332001055R1
C8107	C-CERA C	CK725B1C-104K0	1	332011045R1
C8108	C-CERA C	CK725B1C-104K0	1	332011045R1
C8109	C-CERA C	CK725B1A-105K0	1	332001055R1
C8110	C-CERA C	CK725B1A-105K0	1	332001055R1
C8111	C-CERA C	CC725CH1H-101J0	1	342031014R1
C8112	C-CERA C	CK725B1C-104K0	1	332011045R1
C8113	C-CERA C	CK725B1C-104K0	1	332011045R1
C8114	C-CERA C	CC725CH1H-080C0	1	342030801R1
C8115	C-CERA C	CK725B1C-104K0	1	332011045R1
C8116	C-CERA C	CC725CH1H-270J0	1	342032704R1
C8117	C-CERA C	CC725CH1H-220J0	1	342032204R1
C8120	C-CERA C	CC725CH1H-100D0	1	342031002R1

C8124	C-CERA C	CK725B1C-104K0	1	332011045R1
C8126	C-CERA C	CK725B0J-226M	1	332092267R2
C8130	C-CERA C	CK732B16V-106K	1	332071065R2
C8132	C-CERA C	CK732B16V-106K	1	332071065R2
C8133	C-CERA C	CK732B16V-106K	1	332071065R2
C8135	C-CERA C	CK732B16V-106K	1	332071065R2
C8136	C-CERA C	CK725B1A-105K0	1	332001055R1
C8141	C-CERA C	CK732B16V-106K	1	332071065R2
C8142	C-CERA C	CK732B16V-106K	1	332071065R2
C8143	C-CERA C	CK732B16V-106K	1	332071065R2
C8144	C-CERA C	CK732B16V-106K	1	332071065R2
C8145	C-CERA C	CK725B1A-105K0	1	332001055R1
C8148	C-CERA C	CK732B16V-106K	1	332071065R2
C8149	C-CERA C	CK732B16V-106K	1	332071065R2
C8151	C-CERA C	CK725B1C-104K0	1	332011045R1
C8152	C-CERA C	CK725B1H-102K0	1	332031025R1
C8153	C-CERA C	CK725B1C-104K0	1	332011045R1
C8154	C-CERA C	CK725B1H-102K0	1	332031025R1
C8155	C-CERA C	CK725B1C-104K0	1	332011045R1
C8156	C-CERA C	CK725B1H-102K0	1	332031025R1
C8157	C-CERA C	CK725B1C-104K0	1	332011045R1
C8158	C-CERA C	CK725B1H-102K0	1	332031025R1
C8159	C-CERA C	CK725B1C-104K0	1	332011045R1
C8160	C-CERA C	CK725B1H-102K0	1	332031025R1
C8161	C-CERA C	CK725B1C-104K0	1	332011045R1
C8162	C-CERA C	CK725B1H-102K0	1	332031025R1
C8163	C-CERA C	CK725B1C-104K0	1	332011045R1
C8164	C-CERA C	CK725B1H-102K0	1	332031025R1
C8165	C-CERA C	CK725B1C-104K0	1	332011045R1
C8166	C-CERA C	CK725B1H-102K0	1	332031025R1
C8168	C-CERA C	CK725B1H-102K0	1	332031025R1
C8169	C-CERA C	CK725B1C-104K0	1	332011045R1
C8170	C-CERA C	CK725B1A-105K0	1	332001055R1
C8171	C-CERA C	CK725B1A-105K0	1	332001055R1
C8172	C-CERA C	CK725B1A-105K0	1	332001055R1
C8173	C-CERA C	CK725B1A-105K0	1	332001055R1
C8174	C-CERA C	CK725B1A-105K0	1	332001055R1
C8175	C-CERA C	CK725B1C-104K0	1	332011045R1
C8176	C-CERA C	CK725B1H-102K0	1	332031025R1
C8177	C-CERA C	CK725B1C-104K0	1	332011045R1
C8178	C-CERA C	CK725B1H-102K0	1	332031025R1
C8179	C-CERA C	CC725CH1H-080C0	1	342030801R1
C8180	C-CERA C	CC725CH1H-080C0	1	342030801R1
C8181	C-CERA C	CK725B1C-104K0	1	332011045R1
C8182	C-CERA C	CK725B1H-102K0	1	332031025R1
C8183	C-CERA C	CK725B1C-104K0	1	332011045R1
C8184	C-CERA C	CK725B1H-102K0	1	332031025R1
C8185	C-CERA C	CK725B1H-102K0	1	332031025R1
C8186	C-CERA C	CK725B1C-104K0	1	332011045R1
C8187	C-CERA C	CK725B1C-104K0	1	332011045R1
C8188	C-CERA C	CK725B1H-102K0	1	332031025R1
C8189	C-CERA C	CK725B1C-104K0	1	332011045R1
C8190	C-CERA C	CK725B1H-102K0	1	332031025R1
C8191	C-CERA C	CK725B1C-104K0	1	332011045R1
C8192	C-CERA C	CK725B1H-102K0	1	332031025R1
C8193	C-CERA C	CK725B1C-104K0	1	332011045R1
C8194	C-CERA C	CK725B1H-102K0	1	332031025R1
C8195	C-CERA C	CK725B1C-104K0	1	332011045R1
C8196	C-CERA C	CK725B1H-102K0	1	332031025R1
C8197	C-CERA C	CK725B1C-104K0	1	332011045R1
C8198	C-CERA C	CK725B1H-102K0	1	332031025R1
C8199	C-CERA C	CK725B1H-102K0	1	332031025R1
C8200	C-CERA C	CK725B1C-104K0	1	332011045R1
C8201	C-CERA C	CK725B1C-104K0	1	332011045R1
C8202	C-CERA C	CK725B1C-104K0	1	332011045R1
C8203	C-CERA C	CK725B1C-104K0	1	332011045R1
C8204	C-CERA C	CK725B1H-102K0	1	332031025R1
C8205	C-CERA C	CK725B1C-104K0	1	332011045R1
C8206	C-CERA C	CK725B1C-104K0	1	332011045R1
C8207	C-CERA C	CK725B1H-102K0	1	332031025R1
C8208	C-CERA C	CK725B1C-104K0	1	332011045R1
C8209	C-CERA C	CK725B1C-104K0	1	332011045R1
C8210	C-CERA C	CC725CH1H-150J0	1	342031504R1
C8211	C-CERA C	CC725CH1H-180J0	1	342031804R1
C8212	C-CERA C	CK725B1C-104K0	1	332011045R1
C8213	C-CERA C	CK725B1C-104K0	1	332011045R1

C8214	C-CERA C	CK732B16V-106K	1	332071065R2
C8215	C-CERA C	CK725B1C-104K0	1	332011045R1
C8216	C-CERA C	CK725B1A-105K0	1	332001055R1
C8217	C-CERA C	CK725B1C-104K0	1	332011045R1
C8218	C-CERA C	CK725B1C-104K0	1	332011045R1
C8219	C-CERA C	CK725B1C-104K0	1	332011045R1
C8220	C-CERA C	CK725B1C-104K0	1	332011045R1
C8221	C-CERA C	CK725B1C-104K0	1	332011045R1
C8222	C-CERA C	CK725B1C-104K0	1	332011045R1
C8223	C-CERA C	CK725B1C-104K0	1	332011045R1
C8224	C-CERA C	CK725B1C-104K0	1	332011045R1
C8225	C-CERA C	CK732B16V-106K	1	332071065R2
C8226	C-CERA C	CK732B16V-106K	1	332071065R2
C8227	C-CERA C	CK725B1C-104K0	1	332011045R1
C8228	C-CERA C	CK725B1C-104K0	1	332011045R1
C8229	C-CERA C	CK725B1C-104K0	1	332011045R1
C8230	C-CERA C	CK725B1H-103K0	1	332031035R1
C8231	C-CERA C	CK725B1H-103K0	1	332031035R1
C8232	C-CERA C	CK725B1H-103K0	1	332031035R1
C8233	C-CERA C	CK725B1H-103K0	1	332031035R1
C8234	C-CERA C	CK725B1H-103K0	1	332031035R1
C8235	C-CERA C	CK725B1H-103K0	1	332031035R1
C8236	C-CERA C	CK725B1H-103K0	1	332031035R1
C8237	C-CERA C	CK725B1H-103K0	1	332031035R1
C8238	C-CERA C	CK725B1H-103K0	1	332031035R1
C8239	C-CERA C	CK725B1H-103K0	1	332031035R1
C8240	C-CERA C	CK725B1C-104K0	1	332011045R1
C8241	C-CERA C	CK725B1C-104K0	1	332011045R1
C8242	C-CERA C	CK732B16V-106K	1	332071065R2
C8243	CHIP TANTAL	TEESVA0J226M8R	1	398422207R2
C8243 or	CHIP TANTAL	F93-6.3V-22M	(1)	395522207R2
C8243 or	CHIP TANTAL	TCSCS0J226MAAR	(1)	396522207R2
C8244	C-CERA C	CK732B16V-106K	1	332071065R2
C8245	C-CERA C	CK732B16V-106K	1	332071065R2
C8246	C-CERA C	CK725B1H-103K0	1	332031035R1
C8247	C-CERA C	CK725B1H-103K0	1	332031035R1
C8248	C-CERA C	CK725B1H-103K0	1	332031035R1
C8249	C-CERA C	CK725B1H-103K0	1	332031035R1
C8250	C-CERA C	CK725B1H-103K0	1	332031035R1
C8251	C-CERA C	CK725B1A-105K0	1	332001055R1
C8252	C-CERA C	CK725B1A-105K0	1	332001055R1
C8253	C-CERA C	CK725B1A-105K0	1	332001055R1
C8254	C-CERA C	CK725B1H-103K0	1	332031035R1
C8255	C-CERA C	CK725B1C-104K0	1	332011045R1
C8256	CHIP TANTAL	TEESVB20J107M8R	1	398421017R2
C8256 or	CHIP TANTAL	F93-6.3V-100M	(1)	395521017R2
C8256 or	CHIP TANTAL	TCSCS0J107MBAR	(1)	396521017R2
C8257	CHIP TANTAL	TEESVA0J226M8R	1	398422207R2
C8257 or	CHIP TANTAL	F93-6.3V-22M	(1)	395522207R2
C8257 or	CHIP TANTAL	TCSCS0J226MAAR	(1)	396522207R2
C8268	C-CERA C	CK725B1C-104K0	1	332011045R1
C8269	C-CERA C	CK725B1C-104K0	1	332011045R1
C8270	C-CERA C	CK725B1C-104K0	1	332011045R1
C8271	C-CERA C	CK725B1H-103K0	1	332031035R1
C8272	C-CERA C	CK725B1H-103K0	1	332031035R1
C8273	C-CERA C	CK725B1H-103K0	1	332031035R1
C8274	C-CERA C	CK725B1H-103K0	1	332031035R1
C8275	C-CERA C	CK725B1H-103K0	1	332031035R1
C8276	C-CERA C	CK725B1H-103K0	1	332031035R1
C8277	C-CERA C	CK725B1H-103K0	1	332031035R1
C8278	C-CERA C	CK725B1H-103K0	1	332031035R1
C8279	C-CERA C	CK725B1H-103K0	1	332031035R1
C8280	C-CERA C	CK725B1H-103K0	1	332031035R1
C8281	C-CERA C	CK725B1H-103K0	1	332031035R1
C8282	C-CERA C	CK725B1H-103K0	1	332031035R1
C8283	C-CERA C	CK725B1H-103K0	1	332031035R1
C8284	C-CERA C	CK725B1H-103K0	1	332031035R1
C8285	C-CERA C	CK725B1H-103K0	1	332031035R1
C8286	C-CERA C	CK725B1H-103K0	1	332031035R1
C8287	C-CERA C	CK725B1C-104K0	1	332011045R1
C8288	C-CERA C	CK725B1C-104K0	1	332011045R1
C8289	C-CERA C	CK725B1C-104K0	1	332011045R1
C8290	C-CERA C	CK725B1C-104K0	1	332011045R1
C8292	C-CERA C	CK725B1H-103K0	1	332031035R1
C8293	C-CERA C	CK725B1H-103K0	1	332031035R1
C8294	C-CERA C	CK725B1H-103K0	1	332031035R1

C8295	C-CERA C	CK725B1H-103K0	1	332031035R1
C8296	C-CERA C	CK725B1H-103K0	1	332031035R1
C8297	C-CERA C	CK725B1C-104K0	1	332011045R1
C8298	C-CERA C	CK725B1C-104K0	1	332011045R1
C8299	CHIP TANTAL	TEESVB20J107M8R	1	398421017R2
C8299 or	CHIP TANTAL	F93-6.3V-100M	(1)	395521017R2
C8299 or	CHIP TANTAL	TCSCS0J107MBAR	(1)	396521017R2
C8301	C-CERA C	CK725B1C-104K0	1	332011045R1
C8302	C-CERA C	CK725B1H-102K0	1	332031025R1
C8303	C-CERA C	CK725B1C-104K0	1	332011045R1
C8304	C-CERA C	CK725B1H-102K0	1	332031025R1
C8305	C-CERA C	CK725B1C-104K0	1	332011045R1
C8306	C-CERA C	CK725B1H-102K0	1	332031025R1
C8307	C-CERA C	CK725B1C-104K0	1	332011045R1
C8308	C-CERA C	CK725B1H-102K0	1	332031025R1
C8309	C-CERA C	CK725B1C-104K0	1	332011045R1
C8310	C-CERA C	CK725B1H-102K0	1	332031025R1
C8311	C-CERA C	CK725B1C-104K0	1	332011045R1
C8312	C-CERA C	CK725B1H-102K0	1	332031025R1
C8313	C-CERA C	CK725B1C-104K0	1	332011045R1
C8314	C-CERA C	CK725B1H-102K0	1	332031025R1
C8315	C-CERA C	CK725B1C-104K0	1	332011045R1
C8316	C-CERA C	CK725B1H-102K0	1	332031025R1
C8318	C-CERA C	CK725B1H-102K0	1	332031025R1
C8319	C-CERA C	CK725B1C-104K0	1	332011045R1
C8320	C-CERA C	CK725B1A-105K0	1	332001055R1
C8321	C-CERA C	CK725B1A-105K0	1	332001055R1
C8322	C-CERA C	CK725B1A-105K0	1	332001055R1
C8323	C-CERA C	CK725B1A-105K0	1	332001055R1
C8324	C-CERA C	CK725B1A-105K0	1	332001055R1
C8325	C-CERA C	CK725B1C-104K0	1	332011045R1
C8326	C-CERA C	CK725B1H-102K0	1	332031025R1
C8327	C-CERA C	CK725B1C-104K0	1	332011045R1
C8328	C-CERA C	CK725B1H-102K0	1	332031025R1
C8329	C-CERA C	CC725CH1H-080C0	1	342030801R1
C8330	C-CERA C	CC725CH1H-150J0	1	342031504R1
C8331	C-CERA C	CK725B1C-104K0	1	332011045R1
C8332	C-CERA C	CK725B1H-102K0	1	332031025R1
C8333	C-CERA C	CK725B1C-104K0	1	332011045R1
C8334	C-CERA C	CK725B1H-102K0	1	332031025R1
C8335	C-CERA C	CK725B1H-102K0	1	332031025R1
C8336	C-CERA C	CK725B1C-104K0	1	332011045R1
C8337	C-CERA C	CK725B1C-104K0	1	332011045R1
C8338	C-CERA C	CK725B1H-102K0	1	332031025R1
C8339	C-CERA C	CK725B1C-104K0	1	332011045R1
C8340	C-CERA C	CK725B1H-102K0	1	332031025R1
C8341	C-CERA C	CK725B1C-104K0	1	332011045R1
C8342	C-CERA C	CK725B1H-102K0	1	332031025R1
C8343	C-CERA C	CK725B1C-104K0	1	332011045R1
C8344	C-CERA C	CK725B1H-102K0	1	332031025R1
C8345	C-CERA C	CK725B1C-104K0	1	332011045R1
C8346	C-CERA C	CK725B1H-102K0	1	332031025R1
C8347	C-CERA C	CK725B1C-104K0	1	332011045R1
C8348	C-CERA C	CK725B1H-102K0	1	332031025R1
C8349	C-CERA C	CK725B1H-102K0	1	332031025R1
C8350	C-CERA C	CK725B1C-104K0	1	332011045R1
C8351	C-CERA C	CK732B16V-106K	1	332071065R2
C8352	C-CERA C	CK732B16V-106K	1	332071065R2
C8353	C-CERA C	CK732B16V-106K	1	332071065R2
C8354	C-CERA C	CK732B16V-106K	1	332071065R2
C8355	C-CERA C	CK732B16V-106K	1	332071065R2
C8356	C-CERA C	CK732B16V-106K	1	332071065R2
C8357	C-CERA C	CK725B1H-102K0	1	332031025R1
C8358	C-CERA C	CK725B1C-104K0	1	332011045R1
C8359	C-CERA C	CK725B1A-105K0	1	332001055R1
C8360	C-CERA C	CK725B1C-104K0	1	332011045R1
C8367	C-CERA C	CK725B1A-105K0	1	332001055R1
C8601	C-CERA C	CK725B1H-102K0	1	332031025R1
C8602	C-CERA C	CK725B1H-102K0	1	332031025R1
C8603	C-CERA C	CK725B1H-102K0	1	332031025R1
C8604	C-CERA C	CK725B1H-102K0	1	332031025R1
C8605	C-CERA C	CK725B1H-102K0	1	332031025R1
C8606	C-CERA C	CK725B1H-102K0	1	332031025R1
C8607	C-CERA C	CK725B1H-102K0	1	332031025R1
C8608	C-CERA C	CK725B1H-102K0	1	332031025R1
C8609	C-CERA C	CK725B1H-102K0	1	332031025R1

C8610	C-CERA C	CK725B1H-102K0	1	332031025R1
C8611	C-CERA C	CK725B1H-102K0	1	332031025R1
C8612	C-CERA C	CK725B1H-102K0	1	332031025R1
C8617	C-CERA C	CK725B1A-105K0	1	332001055R1
C8618	C-CERA C	CK725B1C-104K0	1	332011045R1
C8622	C-CERA C	CK725B1C-104K0	1	332011045R1
C8623	C-CERA C	CK725B1C-104K0	1	332011045R1
C8624	C-CERA C	CK725B1C-104K0	1	332011045R1
C8625	C-CERA C	CK725B1C-104K0	1	332011045R1
C8633	C-CERA C	CK725B1H-102K0	1	332031025R1
C8634	C-CERA C	CK725B1H-102K0	1	332031025R1
C8691	C-CERA C	CK725B1C-104K0	1	332011045R1
C8701	C-CERA C	CK725B1C-104K0	1	332011045R1
C8702	C-CERA C	CK725B1A-105K0	1	332001055R1
C8703	C-CERA C	CK732B16V-106K	1	332071065R2
C8704	C-CERA C	CK732B16V-106K	1	332071065R2
C8705	C-CERA C	CK725B1C-104K0	1	332011045R1
C8706	C-CERA C	CK725B1C-104K0	1	332011045R1
C8707	C-CERA C	CK725B1C-104K0	1	332011045R1
C8708	C-CERA C	CK725B1C-104K0	1	332011045R1
C8709	C-CERA C	CK725B1C-104K0	1	332011045R1
C8710	C-CERA C	CK725B1C-104K0	1	332011045R1
C8711	C-CERA C	CK725B1C-104K0	1	332011045R1
C8901	C-CERA C	CK725B1H-103K0	1	332031035R1
C8902	C-CERA C	CK725B1C-104K0	1	332011045R1
C8903	C-CERA C	CK725B1E-106K	1	332221065R2
C8904	C-CERA C	CK725B1E-106K	1	332221065R2
C8905	C-CERA C	CK725B1H-103K0	1	332031035R1
C8908	C-CERA C	CK725B0J-226M	1	332092267R2
C8909	C-CERA C	CK725B0J-226M	1	332092267R2
C8911	C-CERA C	CK725B1H-103K0	1	332031035R1
C8912	C-CERA C	CK725B1C-104K0	1	332011045R1
C8913	C-CERA C	CK725B1E-106K	1	332221065R2
C8914	C-CERA C	CK725B1E-106K	1	332221065R2
C8915	C-CERA C	CK725B1H-103K0	1	332031035R1
C8918	C-CERA C	CK725B0J-226M	1	332092267R2
C8919	C-CERA C	CK725B0J-226M	1	332092267R2
C8921	C-CERA C	CK725B1C-104K0	1	332011045R1
C8922	C-CERA C	CK725B1C-104K0	1	332011045R1
C8923	C-CERA C	CK725B1E-106K	1	332221065R2
C8924	C-CERA C	CK725B1E-106K	1	332221065R2
C8925	C-CERA C	CK725B1H-103K0	1	332031035R1
C8928	C-CERA C	CK725B0J-226M	1	332092267R2
C8929	C-CERA C	CK725B0J-226M	1	332092267R2
C8931	C-CERA C	CK725B1C-104K0	1	332011045R1
C8932	C-CERA C	CK725B1C-104K0	1	332011045R1
C8933	C-CERA C	CK725B1E-106K	1	332221065R2
C8934	C-CERA C	CK725B1E-106K	1	332221065R2
C8935	C-CERA C	CK725B1H-103K0	1	332031035R1
C8938	C-CERA C	CK725B0J-226M	1	332092267R2
C8939	C-CERA C	CK725B0J-226M	1	332092267R2
C8941	C-CERA C	CK725B1C-104K0	1	332011045R1
C8942	C-CERA C	CK725B1C-104K0	1	332011045R1
C8943	C-CERA C	CK725B1E-106K	1	332221065R2
C8944	C-CERA C	CK725B1E-106K	1	332221065R2
C8945	C-CERA C	CK725B1H-103K0	1	332031035R1
C8948	C-CERA C	CK725B0J-226M	1	332092267R2
C8949	C-CERA C	CK725B0J-226M	1	332092267R2
C8951	C-CERA C	CK732B16V-106K	1	332071065R2
C8952	C-CERA C	CK725B1A-105K0	1	332001055R1
C8953	C-CERA C	CK725B0J-226M	1	332092267R2
C8954	C-CERA C	CK732B16V-106K	1	332071065R2
C8955	C-CERA C	CK725B1A-105K0	1	332001055R1
C8956	C-CERA C	CK725B1A-105K0	1	332001055R1
C8957	C-CERA C	CK725B1A-105K0	1	332001055R1
C8958	C-CERA C	CK725B1A-105K0	1	332001055R1
C8959	C-CERA C	CK725B1E-106K	1	332221065R2
C8960	C-CERA C	CK725B1A-105K0	1	332001055R1
C8961	C-CERA C	CK725B1A-105K0	1	332001055R1
C8962	C-CERA C	CK725B0J-226M	1	332092267R2
C8963	C-CERA C	CK725B1A-105K0	1	332001055R1
C8964	C-CERA C	CK725B0J-226M	1	332092267R2
C8965	C-CERA C	CK725B1A-105K0	1	332001055R1
C8966	C-CERA C	CK725B0J-226M	1	332092267R2
C8967	C-CERA C	CK725B1A-105K0	1	332001055R1
C8968	C-CERA C	CK725B0J-226M	1	332092267R2

C8969	C-CERA C	CK725B1A-105K0	1	332001055R1
C8970	C-CERA C	CK725B0J-226M	1	332092267R2
C8971	C-CERA C	CK725B1A-105K0	1	332001055R1
C8972	C-CERA C	CK725B1A-105K0	1	332001055R1
C8973	C-CERA C	CK725B0J-226M	1	332092267R2
C8974	C-CERA C	CK725B1A-105K0	1	332001055R1
C8975	C-CERA C	CK725B1E-106K	1	332221065R2
C8976	C-CERA C	CK725B0J-226M	1	332092267R2
C8977	C-CERA C	CK732B16V-106K	1	332071065R2
C8978	C-CERA C	CK732B16V-106K	1	332071065R2
C8979	C-CERA C	CK732B16V-106K	1	332071065R2
C8980	C-CERA C	CK732B16V-106K	1	332071065R2
C8981	C-CERA C	CK725B1H-102K0	1	332031025R1
C8985	C-CERA C	CK732B16V-106K	1	332071065R2
C8986	C-CERA C	CK732B16V-106K	1	332071065R2
C8987	C-CERA C	CK725B1C-104K0	1	332011045R1
[RESISTOR]				
R3009	C-CARBON R	RN72K1J-330JE	1	435033304R1
R3010	C-R NET	RM7LJ330X04	1	43484733004R2
R3010 or	C-R NET	YCN104-330-JK	(1)	43464C33004R1
R3011	C-R NET	RM7LJ330X04	1	43484733004R2
R3011 or	C-R NET	YCN104-330-JK	(1)	43464C33004R1
R3012	C-R NET	RM7LJ470X04	1	43484747004R2
R3012 or	C-R NET	YCN104-470-JK	(1)	43464C47004R1
R3013	C-R NET	RM7LJ330X04	1	43484733004R2
R3013 or	C-R NET	YCN104-330-JK	(1)	43464C33004R1
R3014	C-R NET	RM7LJ330X04	1	43484733004R2
R3014 or	C-R NET	YCN104-330-JK	(1)	43464C33004R1
R3015	C-R NET	RM7LJ330X04	1	43484733004R2
R3015 or	C-R NET	YCN104-330-JK	(1)	43464C33004R1
R3016	C-CARBON R	RN72K1J-470JE	1	435034704R1
R3017	C-R NET	RM7LJ330X04	1	43484733004R2
R3017 or	C-R NET	YCN104-330-JK	(1)	43464C33004R1
R3018	C-CARBON R	RN72K1J-470JE	1	435034704R1
R3019	C-R NET	RM7LJ330X04	1	43484733004R2
R3019 or	C-R NET	YCN104-330-JK	(1)	43464C33004R1
R3020	C-R NET	RM7LJ330X04	1	43484733004R2
R3020 or	C-R NET	YCN104-330-JK	(1)	43464C33004R1
R3021	C-CARBON R	RN72K1J-470JE	1	435034704R1
R3022	C-CARBON R	RN72K1J-470JE	1	435034704R1
R3023	C-R NET	RM7LJ470X04	1	43484747004R2
R3023 or	C-R NET	YCN104-470-JK	(1)	43464C47004R1
R3024	C-CARBON R	RN72K1J-470JE	1	435034704R1
R3025	C-CARBON R	RN72K1J-102JE	1	435031024R1
R3027	C-CARBON R	RN72K1J-470JE	1	435034704R1
R3028	C-CARBON R	RN72K1J-470JE	1	435034704R1
R3029	C-CARBON R	RN72K1J-102JE	1	435031024R1
R3032	C-CARBON R	RN72K1J-103JE	1	435031034R1
R3033	C-CARBON R	RN72K1J-470JE	1	435034704R1
R3034	C-CARBON R	RN72K1J-470JE	1	435034704R1
R3035	C-CARBON R	RN72K1J-470JE	1	435034704R1
R3036	C-CARBON R	RN72K1J-470JE	1	435034704R1
R3037	C-CARBON R	RN72K1J-470JE	1	435034704R1
R3038	C-CARBON R	RN72K1J-470JE	1	435034704R1
R3039	C-CARBON R	RN72K1J-470JE	1	435034704R1
R3040	C-CARBON R	RN72K1J-103JE	1	435031034R1
R3041	C-R NET	RM7LJ330X04	1	43484733004R2
R3041 or	C-R NET	YCN104-330-JK	(1)	43464C33004R1
R3042	C-R NET	RM7LJ330X04	1	43484733004R2
R3042 or	C-R NET	YCN104-330-JK	(1)	43464C33004R1
R3043	C-CARBON R	RN72K1J-000JE	1	435030004R1
R3044	C-R NET	RM7LJ330X04	1	43484733004R2
R3044 or	C-R NET	YCN104-330-JK	(1)	43464C33004R1
R3045	C-R NET	RM7LJ330X04	1	43484733004R2
R3045 or	C-R NET	YCN104-330-JK	(1)	43464C33004R1
R3047	C-CARBON R	RN72K1J-560JE	1	435035604R1
R3048	C-CARBON R	RN72K1J-101JE	1	435031014R1
R3049	C-CARBON R	RN72K1J-560JE	1	435035604R1
R3050	C-CARBON R	RN72K1J-560JE	1	435035604R1
R3051	C-CARBON R	RN72K1J-560JE	1	435035604R1
R3054	C-CARBON R	RN72K1J-103JE	1	435031034R1
R3056	C-CARBON R	RN72K1J-472JE	1	435034724R1
R3060	C-CARBON R	RN72K1J-680JE	1	435036804R1
R3061	C-CARBON R	RN72K1J-470JE	1	435034704R1
R3062	C-CARBON R	RN72K1J-680JE	1	435036804R1
R3063	C-CARBON R	RN72K1J-680JE	1	435036804R1

R3064	C-CARBON R	RN72K1J-680JE	1	435036804R1
R3065	C-CARBON R	RN72K1J-680JE	1	435036804R1
R3066	C-CARBON R	RN72K1J-102JE	1	435031024R1
R3101	C-CARBON R	RN72K1J-103JE	1	435031034R1
R3105	C-CARBON R	RN72K1J-473JE	1	435034734R1
R3106	C-CARBON R	RN72K1J-103JE	1	435031034R1
R3108	C-CARBON R	RN72K1J-103JE	1	435031034R1
R3109	C-CARBON R	RN72K1J-473JE	1	435034734R1
R3111	C-CARBON R	RN72K1J-473JE	1	435034734R1
R3113	C-CARBON R	RN72K1J-103JE	1	435031034R1
R3115	C-CARBON R	RN72K1J-332JE	1	435033324R1
R3117	C-CARBON R	RN72K1J-332JE	1	435033324R1
R3119	C-CARBON R	RN72K1J-332JE	1	435033324R1
R3122	C-CARBON R	RN72K1J-102JE	1	435031024R1
R3123	C-CARBON R	RN72K1J-000JE	1	435030004R1
R3124	C-CARBON R	RN72K1J-331JE	1	435033314R1
R3125	C-CARBON R	RN72K1J-470JE	1	435034704R1
R3126	C-CARBON R	RN72K1J-470JE	1	435034704R1
R3127	C-CARBON R	RN72K1J-470JE	1	435034704R1
R3128	C-CARBON R	RN72K1J-472JE	1	435034724R1
R3129	C-CARBON R	RN72K1J-470JE	1	435034704R1
R3130	C-CARBON R	RN72K1J-470JE	1	435034704R1
R3131	C-CARBON R	RN72K1J-470JE	1	435034704R1
R3133	C-CARBON R	RN72K1J-470JE	1	435034704R1
R3134	C-CARBON R	RN72K1J-103JE	1	435031034R1
R3135	C-CARBON R	RN72K1J-103JE	1	435031034R1
R3136	C-CARBON R	RN72K1J-000JE	1	435030004R1
R3137	C-CARBON R	RN72K1J-000JE	1	435030004R1
R3139	C-CARBON R	RN72K1J-101JE	1	435031014R1
R3141	C-CARBON R	RN72K1J-470JE	1	435034704R1
R3143	C-CARBON R	RN72K1J-392JE	1	435033924R1
R3144	C-CARBON R	RN72K1J-101JE	1	435031014R1
R3145	C-CARBON R	RN72K1J-392JE	1	435033924R1
R3146	C-CARBON R	RN72K1J-390JE	1	435033904R1
R3147	C-CARBON R	RN72K1J-000JE	1	435030004R1
R3148	C-CARBON R	RN72K1J-390JE	1	435033904R1
R3150	C-CARBON R	RN72K1J-680JE	1	435036804R1
R3154	C-CARBON R	RN72K1J-390JE	1	435033904R1
R3155	C-CARBON R	RN72K1J-390JE	1	435033904R1
R3156	C-CARBON R	RN72K1J-390JE	1	435033904R1
R3157	C-CARBON R	RN72K1J-000JE	1	435030004R1
R3158	C-CARBON R	RN72K1J-000JE	1	435030004R1
R3162	C-CARBON R	RN72K1J-390JE	1	435033904R1
R3163	C-CARBON R	RN72K1J-220JE	1	435032204R1
R3164	C-CARBON R	RN72K1J-472JE	1	435034724R1
R3168	C-CARBON R	RN72K1J-220JE	1	435032204R1
R3169	C-CARBON R	RN72K1J-220JE	1	435032204R1
R3170	C-CARBON R	RN72K1J-391FE	1	435033912R1
R3171	C-CARBON R	RN72K1J-222FE	1	435032222R1
R3172	C-CARBON R	RN72K1J-392FE	1	435033922R1
R3173	C-CARBON R	RN72K1J-390JE	1	435033904R1
R3174	C-CARBON R	RN72K1J-390JE	1	435033904R1
R3175	C-CARBON R	RN72K1J-472JE	1	435034724R1
R3176	C-CARBON R	RN72K1J-473JE	1	435034734R1
R3177	C-CARBON R	RN72K1J-103JE	1	435031034R1
R3181	C-CARBON R	RN72K1J-470JE	1	435034704R1
R3182	C-CARBON R	RN72K1J-472JE	1	435034724R1
R3183	C-CARBON R	RN72K1J-470JE	1	435034704R1
R3184	C-CARBON R	RN72K1J-470JE	1	435034704R1
R3185	C-CARBON R	RN72K1J-473JE	1	435034734R1
R3188	C-CARBON R	RN72K1J-473JE	1	435034734R1
R3189	C-CARBON R	RN72K1J-473JE	1	435034734R1
R3190	C-CARBON R	RN72K1J-472JE	1	435034724R1
R3192	C-CARBON R	RN72K1J-472JE	1	435034724R1
R3193	C-CARBON R	RN72K1J-472JE	1	435034724R1
R3194	C-CARBON R	RN72K1J-472JE	1	435034724R1
R3199	C-CARBON R	RN72K1J-102JE	1	435031024R1
R3200	C-CARBON R	RN72K1J-000JE	1	435030004R1
R3204	C-CARBON R	RN72K1J-103JE	1	435031034R1
R3205	C-CARBON R	RN72K1J-103JE	1	435031034R1
R3208	C-CARBON R	RN72K1J-121JE	1	435031214R1
R3212	C-CARBON R	RN72K1J-470JE	1	435034704R1
R3215	C-CARBON R	RN72K1J-221JE	1	435032214R1
R3218	C-CARBON R	RN72K1J-470JE	1	435034704R1
R3219	C-CARBON R	RN72K1J-221JE	1	435032214R1
R3221	C-CARBON R	RN72K1J-470JE	1	435034704R1

R3226	C-R NET	RM7LJ470X04	1	43484747004R2
R3226 or	C-R NET	YCN104-470-JK	(1)	43464C47004R1
R3230	C-CARBON R	RN72K1J-221JE	1	435032214R1
R3232	C-CARBON R	RN72K1J-221JE	1	435032214R1
R3235	C-CARBON R	RN72K1J-470JE	1	435034704R1
R3237	C-CARBON R	RN72K1J-221JE	1	435032214R1
R3239	C-CARBON R	RN72K1J-221JE	1	435032214R1
R3241	C-CARBON R	RN72K1J-221JE	1	435032214R1
R3242	C-CARBON R	RN72K1J-221JE	1	435032214R1
R3244	C-CARBON R	RN72K1J-470JE	1	435034704R1
R3246	C-CARBON R	RN72K1J-332JE	1	435033324R1
R3247	C-CARBON R	RN72K1J-121JE	1	435031214R1
R3251	C-CARBON R	RN72K1J-470JE	1	435034704R1
R3257	C-CARBON R	RN72K1J-470JE	1	435034704R1
R3260	C-CARBON R	RN72K1J-121JE	1	435031214R1
R3262	C-CARBON R	RN72K1J-221JE	1	435032214R1
R3265	C-CARBON R	RN72K1J-390JE	1	435033904R1
R3266	C-CARBON R	RN72K1J-332JE	1	435033324R1
R3268	C-CARBON R	RN72K1J-390JE	1	435033904R1
R3270	C-CARBON R	RN72K1J-332JE	1	435033324R1
R3271	C-CARBON R	RN72K1J-390JE	1	435033904R1
R3272	C-CARBON R	RN72K1J-470JE	1	435034704R1
R3274	C-CARBON R	RN72K1J-390JE	1	435033904R1
R3277	C-CARBON R	RN72K1J-470JE	1	435034704R1
R3278	C-CARBON R	RN72K1J-470JE	1	435034704R1
R3279	C-CARBON R	RN72K1J-470JE	1	435034704R1
R3281	C-CARBON R	RN72K1J-103JE	1	435031034R1
R3282	C-CARBON R	RN72K1J-103JE	1	435031034R1
R3284	C-CARBON R	RN72K1J-103JE	1	435031034R1
R3285	C-CARBON R	RN72K1J-332JE	1	435033324R1
R3286	C-CARBON R	RN72K1J-332JE	1	435033324R1
R3298	C-CARBON R	RN72K1J-102JE	1	435031024R1
R3302	C-CARBON R	RN72K1J-470JE	1	435034704R1
R3303	C-CARBON R	RN72K1J-103JE	1	435031034R1
R3304	C-CARBON R	RN72K1J-470JE	1	435034704R1
R3305	C-R NET	RM7LJ470X04	1	43484747004R2
R3305 or	C-R NET	YCN104-470-JK	(1)	43464C47004R1
R3306	C-R NET	RM7LJ470X04	1	43484747004R2
R3306 or	C-R NET	YCN104-470-JK	(1)	43464C47004R1
R3308	C-CARBON R	RN72K1J-331JE	1	435033314R1
R3309	C-CARBON R	RN72K1J-331JE	1	435033314R1
R3310	C-CARBON R	RN72K1J-221JE	1	435032214R1
R3311	C-CARBON R	RN72K1J-221JE	1	435032214R1
R3312	C-CARBON R	RN72K1J-470JE	1	435034704R1
R3313	C-CARBON R	RN72K1J-470JE	1	435034704R1
R3314	C-CARBON R	RN72K1J-470JE	1	435034704R1
R3315	C-CARBON R	RN72K1J-221JE	1	435032214R1
R3316	C-CARBON R	RN72K1J-103JE	1	435031034R1
R3318	C-CARBON R	RN72K1J-331JE	1	435033314R1
R3319	C-CARBON R	RN72K1J-331JE	1	435033314R1
R3320	C-CARBON R	RN72K1J-331JE	1	435033314R1
R3321	C-CARBON R	RN72K1J-331JE	1	435033314R1
R3322	C-CARBON R	RN72K1J-000JE	1	435030004R1
R3323	C-CARBON R	RN72K1J-103JE	1	435031034R1
R3324	C-CARBON R	RN72K1J-470JE	1	435034704R1
R3325	C-CARBON R	RN72K1J-103JE	1	435031034R1
R3326	C-CARBON R	RN72K1J-470JE	1	435034704R1
R3337	C-CARBON R	RN72K1J-000JE	1	435030004R1
R3338	C-CARBON R	RN72K1J-000JE	1	435030004R1
R3339	C-CARBON R	RN72K1J-000JE	1	435030004R1
R3340	C-CARBON R	RN72K1J-000JE	1	435030004R1
R3358	C-CARBON R	RN72K1J-000JE	1	435030004R1
R3359	C-CARBON R	RN72K1J-000JE	1	435030004R1
R3360	C-CARBON R	RN72K1J-000JE	1	435030004R1
R3361	C-CARBON R	RN72K1J-000JE	1	435030004R1
R3362	C-R NET	RM7LJ470X04	1	43484747004R2
R3362 or	C-R NET	YCN104-470-JK	(1)	43464C47004R1
R3365	C-CARBON R	RN72K1J-470JE	1	435034704R1
R3367	C-CARBON R	RN72K1J-470JE	1	435034704R1
R3369	C-CARBON R	RN72K1J-470JE	1	435034704R1
R3371	C-CARBON R	RN72K1J-470JE	1	435034704R1
R3372	C-CARBON R	RN72K1J-221JE	1	435032214R1
R3373	C-CARBON R	RN72K1J-221JE	1	435032214R1
R3374	C-CARBON R	RN72K1J-101JE	1	435031014R1
R3375	C-CARBON R	RN72K1J-331JE	1	435033314R1
R3377	C-CARBON R	RN72K1J-101JE	1	435031014R1

R3378	C-CARBON R	RN72K1J-103JE	1	435031034R1
R3385	C-CARBON R	RN72K1J-331JE	1	435033314R1
R3386	C-CARBON R	RN72K1J-470JE	1	435034704R1
R3388	C-CARBON R	RN72K1J-331JE	1	435033314R1
R3389	C-CARBON R	RN72K1J-221JE	1	435032214R1
R3390	C-CARBON R	RN72K1J-470JE	1	435034704R1
R3391	C-CARBON R	RN72K1J-470JE	1	435034704R1
R3392	C-CARBON R	RN72K1J-470JE	1	435034704R1
R3398	C-CARBON R	RN72K1J-470JE	1	435034704R1
R3399	C-CARBON R	RN72K1J-470JE	1	435034704R1
R3400	C-CARBON R	RN72K1J-470JE	1	435034704R1
R3401	C-CARBON R	RN72K1J-103JE	1	435031034R1
R3402	C-CARBON R	RN72K1J-470JE	1	435034704R1
R3403	C-CARBON R	RN72K1J-472JE	1	435034724R1
R3404	C-CARBON R	RN72K1J-103JE	1	435031034R1
R3405	C-CARBON R	RN72K1J-103JE	1	435031034R1
R3406	C-CARBON R	RN72K1J-470JE	1	435034704R1
R3407	C-CARBON R	RN72K1J-103JE	1	435031034R1
R3408	C-R NET	RM7LJ221X04	1	43484722104R2
R3408 or	C-R NET	YCN104-221-JK	(1)	43464C22104R1
R3409	C-R NET	RM7LJ221X04	1	43484722104R2
R3409 or	C-R NET	YCN104-221-JK	(1)	43464C22104R1
R3410	C-CARBON R	RN72K1J-221JE	1	435032214R1
R3412	C-CARBON R	RN72K1J-472JE	1	435034724R1
R3414	C-CARBON R	RN72K1J-103JE	1	435031034R1
R3421	C-CARBON R	RN72K1J-000JE	1	435030004R1
R3424	C-CARBON R	RN72K1J-560JE	1	435035604R1
R3425	C-CARBON R	RN72K1J-470JE	1	435034704R1
R3429	C-R NET	RM7LJ470X04	1	43484747004R2
R3429 or	C-R NET	YCN104-470-JK	(1)	43464C47004R1
R3430	C-R NET	RM7LJ470X04	1	43484747004R2
R3430 or	C-R NET	YCN104-470-JK	(1)	43464C47004R1
R3432	C-CARBON R	RN72K1J-103JE	1	435031034R1
R3433	C-CARBON R	RN72K1J-103JE	1	435031034R1
R3435	C-CARBON R	RN72K1J-222JE	1	435032224R1
R3436	C-CARBON R	RN72K1J-560JE	1	435035604R1
R3437	C-CARBON R	RN72K1J-560JE	1	435035604R1
R3438	C-CARBON R	RN72K1J-560JE	1	435035604R1
R3439	C-CARBON R	RN72K1J-332JE	1	435033324R1
R3440	C-CARBON R	RN72K1J-332JE	1	435033324R1
R3441	C-CARBON R	RN72K1J-470JE	1	435034704R1
R3442	C-CARBON R	RN72K1J-105JE	1	435031054R1
R3443	C-CARBON R	RN72K1J-561JE	1	435035614R1
R3444	C-CARBON R	RN72K1J-391JE	1	435033914R1
R3445	C-CARBON R	RN72K1J-470JE	1	435034704R1
R3446	C-CARBON R	RN72K1J-102JE	1	435031024R1
R3447	C-CARBON R	RN72K1J-560JE	1	435035604R1
R3448	C-CARBON R	RN72K1J-470JE	1	435034704R1
R3450	C-CARBON R	RN72K1J-560JE	1	435035604R1
R3452	C-CARBON R	RN72K1J-470JE	1	435034704R1
R3454	C-CARBON R	RN72K1J-470JE	1	435034704R1
R3455	C-CARBON R	RN72K1J-121JE	1	435031214R1
R3456	C-CARBON R	RN72K1J-470JE	1	435034704R1
R3457	C-R NET	RM7LJ470X04	1	43484747004R2
R3457 or	C-R NET	YCN104-470-JK	(1)	43464C47004R1
R3458	C-CARBON R	RN72K1J-470JE	1	435034704R1
R3460	C-CARBON R	RN72K1J-470JE	1	435034704R1
R3469	C-CARBON R	RN72K1J-103JE	1	435031034R1
R3477	C-R NET	RM7LJ470X04	1	43484747004R2
R3477 or	C-R NET	YCN104-470-JK	(1)	43464C47004R1
R3478	C-R NET	RM7LJ470X04	1	43484747004R2
R3478 or	C-R NET	YCN104-470-JK	(1)	43464C47004R1
R3484	C-CARBON R	RN72K1J-470JE	1	435034704R1
R3485	C-CARBON R	RN72K1J-000JE	1	435030004R1
R3488	C-CARBON R	RN72K1J-103JE	1	435031034R1
R3494	C-R NET	RM7LJ470X04	1	43484747004R2
R3494 or	C-R NET	YCN104-470-JK	(1)	43464C47004R1
R3495	C-R NET	RM7LJ470X04	1	43484747004R2
R3495 or	C-R NET	YCN104-470-JK	(1)	43464C47004R1
R3496	C-R NET	RM7LJ470X04	1	43484747004R2
R3496 or	C-R NET	YCN104-470-JK	(1)	43464C47004R1
R3497	C-R NET	RM7LJ470X04	1	43484747004R2
R3497 or	C-R NET	YCN104-470-JK	(1)	43464C47004R1
R3498	C-CARBON R	RN72K1J-470JE	1	435034704R1
R3499	C-CARBON R	RN72K1J-103FE	1	435031032R1
R3500	C-CARBON R	RN72K1J-470JE	1	435034704R1

R3501	C-CARBON R	RN72K1J-470JE	1	435034704R1
R3502	C-CARBON R	RN72K1J-470JE	1	435034704R1
R3503	C-CARBON R	RN72K1J-470JE	1	435034704R1
R3504	C-CARBON R	RN72K1J-221JE	1	435032214R1
R3505	C-CARBON R	RN72K1J-470JE	1	435034704R1
R3506	C-CARBON R	RN72K1J-121JE	1	435031214R1
R3670	C-CARBON R	RN72K1J-103JE	1	435031034R1
R3671	C-CARBON R	RN72K1J-470JE	1	435034704R1
R3672	C-CARBON R	RN72K1J-470JE	1	435034704R1
R3673	C-CARBON R	RN72K1J-122JE	1	435031224R1
R3674	C-CARBON R	RN72K1J-470JE	1	435034704R1
R3675	C-CARBON R	RN72K1J-470JE	1	435034704R1
R3676	C-CARBON R	RN72K1J-151JE	1	435031514R1
R3677	C-CARBON R	RN72K1J-331JE	1	435033314R1
R3678	C-CARBON R	RN72K1J-331JE	1	435033314R1
R8000	C-CARBON R	RN72K1J-103JE	1	435031034R1
R8003	C-CARBON R	RN72K1J-000JE	1	435030004R1
R8004	C-CARBON R	RN72K1J-103JE	1	435031034R1
R8005	C-CARBON R	RN72K1J-103JE	1	435031034R1
R8007	C-CARBON R	RN72K1J-223JE	1	435032234R1
R8009	C-CARBON R	RN72K1J-000JE	1	435030004R1
R8010	C-R NET	RM7LJ510X04	1	43484751004R2
R8010 or	C-R NET	YCN104-510-JK	(1)	43464C51004R1
R8011	C-R NET	RM7LJ510X04	1	43484751004R2
R8011 or	C-R NET	YCN104-510-JK	(1)	43464C51004R1
R8012	C-R NET	RM7LJ510X04	1	43484751004R2
R8012 or	C-R NET	YCN104-510-JK	(1)	43464C51004R1
R8013	C-R NET	RM7LJ510X04	1	43484751004R2
R8013 or	C-R NET	YCN104-510-JK	(1)	43464C51004R1
R8014	C-R NET	RM7LJ510X04	1	43484751004R2
R8014 or	C-R NET	YCN104-510-JK	(1)	43464C51004R1
R8015	C-CARBON R	MCR03EZPF49R9(49.9 1%)	1	4100037R2
R8016	C-CARBON R	MCR03EZPF49R9(49.9 1%)	1	4100037R2
R8017	C-CARBON R	MCR03EZPF49R9(49.9 1%)	1	4100037R2
R8018	C-CARBON R	RN72K1J-000JE	1	435030004R1
R8019	C-CARBON R	RN72K1J-000JE	1	435030004R1
R8037	C-CARBON R	RN72K1J-000JE	1	435030004R1
R8042	C-CARBON R	MCR03EZPF49R9(49.9 1%)	1	4100037R2
R8043	C-CARBON R	MCR03EZPF49R9(49.9 1%)	1	4100037R2
R8045	C-CARBON R	RN72K1J-331FE	1	435033312R1
R8046	C-CARBON R	RN72K1J-332FE	1	435033322R1
R8047	C-CARBON R	RN72K1J-271FE	1	435032712R1
R8048	C-CARBON R	RN72K1J-222FE	1	435032222R1
R8049	C-CARBON R	RN72K1J-750JE	1	435037504R1
R8050	C-CARBON R	RN72K1J-750JE	1	435037504R1
R8052	C-CARBON R	RN72K1J-472JE	1	435034724R1
R8063	C-CARBON R	RN72K1J-100JE	1	435031004R1
R8064	C-CARBON R	RN72K1J-100JE	1	435031004R1
R8073	C-CARBON R	RN72K1J-182JE	1	435031824R1
R8074	C-CARBON R	RN72K1J-182JE	1	435031824R1
R8077	C-CARBON R	RN72K1J-104JE	1	435031044R1
R8078	C-CARBON R	RN72K1J-472JE	1	435034724R1
R8079	C-CARBON R	RN72K1J-473JE	1	435034734R1
R8080	C-CARBON R	RN72K1J-101JE	1	435031014R1
R8081	C-CARBON R	RN72K1J-101JE	1	435031014R1
R8082	C-CARBON R	RN72K1J-101JE	1	435031014R1
R8083	C-CARBON R	RN72K1J-101JE	1	435031014R1
R8084	C-CARBON R	RN72K1J-100JE	1	435031004R1
R8085	C-CARBON R	RN72K1J-100JE	1	435031004R1
R8086	C-CARBON R	RN72K1J-100JE	1	435031004R1
R8087	C-CARBON R	RN72K1J-823JE	1	435038234R1
R8088	C-CARBON R	RN72K1J-103JE	1	435031034R1
R8089	C-CARBON R	RN72K1J-330JE	1	435033304R1
R8090	C-CARBON R	RN72K1J-103JE	1	435031034R1
R8091	C-CARBON R	RN72K1J-220JE	1	435032204R1
R8092	C-CARBON R	RN72K1J-220JE	1	435032204R1
R8093	C-CARBON R	RN72K1J-220JE	1	435032204R1
R8094	C-CARBON R	RN72K1J-472JE	1	435034724R1
R8095	C-CARBON R	RN72K1J-105JE	1	435031054R1
R8096	C-CARBON R	RN72K1J-101JE	1	435031014R1
R8097	C-CARBON R	RN72K1J-101JE	1	435031014R1
R8098	C-CARBON R	RN72K1J-220JE	1	435032204R1
R8099	C-CARBON R	RN72K1J-102JE	1	435031024R1
R8100	C-CARBON R	RN72K1J-102JE	1	435031024R1
R8102	C-CARBON R	RN72K1J-472JE	1	435034724R1
R8103	C-CARBON R	RN72K1J-472JE	1	435034724R1

R8104	C-CARBON R	RN72K1J-472JE	1	435034724R1
R8105	C-CARBON R	RN72K1J-472JE	1	435034724R1
R8107	C-CARBON R	RN72K1J-472JE	1	435034724R1
R8108	C-CARBON R	RN72K1J-472JE	1	435034724R1
R8109	C-CARBON R	RN72K1J-472JE	1	435034724R1
R8110	C-CARBON R	RN72K1J-472JE	1	435034724R1
R8111	C-CARBON R	RN72K1J-101JE	1	435031014R1
R8112	C-CARBON R	RN72K1J-101JE	1	435031014R1
R8113	C-CARBON R	RN72K1J-101JE	1	435031014R1
R8114	C-CARBON R	RN72K1J-101JE	1	435031014R1
R8115	C-CARBON R	RN72K1J-104JE	1	435031044R1
R8116	C-CARBON R	RN72K1J-100JE	1	435031004R1
R8122	C-CARBON R	RN72K1J-220JE	1	435032204R1
R8123	C-CARBON R	RN72K1J-220JE	1	435032204R1
R8124	C-CARBON R	RN72K1J-220JE	1	435032204R1
R8125	C-CARBON R	RN72K1J-220JE	1	435032204R1
R8126	C-CARBON R	RN72K1J-472JE	1	435034724R1
R8127	C-CARBON R	RN72K1J-472JE	1	435034724R1
R8128	C-CARBON R	RN72K1J-103JE	1	435031034R1
R8129	C-CARBON R	RN72K1J-103JE	1	435031034R1
R8130	C-CARBON R	RN72K1J-103JE	1	435031034R1
R8131	C-CARBON R	RN72K1J-103JE	1	435031034R1
R8151	C-CARBON R	RN72K1J-472JE	1	435034724R1
R8152	C-CARBON R	RN72K1J-100JE	1	435031004R1
R8153	C-CARBON R	RN72K1J-100JE	1	435031004R1
R8154	C-CARBON R	RN72K1J-562JE	1	435035624R1
R8155	C-CARBON R	RN72K1J-100JE	1	435031004R1
R8156	C-CARBON R	RN72K1J-562JE	1	435035624R1
R8157	C-CARBON R	RN72K1J-100JE	1	435031004R1
R8158	C-CARBON R	RN72K1J-562JE	1	435035624R1
R8159	C-CARBON R	RN72K1J-100JE	1	435031004R1
R8160	C-CARBON R	RN72K1J-562JE	1	435035624R1
R8161	C-CARBON R	RN72K1J-472JE	1	435034724R1
R8162	C-CARBON R	RN72K1J-100JE	1	435031004R1
R8163	C-CARBON R	RN72K1J-562JE	1	435035624R1
R8164	C-R NET	RM7LJ222X04	1	43484722204R2
R8164 or	C-R NET	YCN104-222-JK	(1)	43464C22204R1
R8165	C-CARBON R	RN72K1J-103JE	1	435031034R1
R8166	C-CARBON R	RN72K1J-124JE	1	435031244R1
R8171	C-CARBON R	RN72K1J-562JE	1	435035624R1
R8185	C-CARBON R	RN72K1J-000JE	1	435030004R1
R8186	C-CARBON R	RN72K1J-000JE	1	435030004R1
R8188	C-CARBON R	RN72K1J-100JE	1	435031004R1
R8201	C-CARBON R	RN72K1J-103JE	1	435031034R1
R8202	C-CARBON R	RN72K1J-103JE	1	435031034R1
R8203	C-CARBON R	RN72K1J-101JE	1	435031014R1
R8204	C-CARBON R	RN72K1J-101JE	1	435031014R1
R8205	C-CARBON R	RN72K1J-120JE	1	435031204R1
R8206	C-CARBON R	RN72K1J-120JE	1	435031204R1
R8207	C-CARBON R	RN72K1J-120JE	1	435031204R1
R8208	C-CARBON R	RN72K1J-120JE	1	435031204R1
R8209	C-CARBON R	RN72K1J-120JE	1	435031204R1
R8210	C-CARBON R	RN72K1J-120JE	1	435031204R1
R8211	C-CARBON R	RN72K1J-120JE	1	435031204R1
R8212	C-CARBON R	RN72K1J-390JE	1	435033904R1
R8213	C-CARBON R	RN72K1J-120JE	1	435031204R1
R8214	C-CARBON R	RN72K1J-390JE	1	435033904R1
R8215	C-CARBON R	RN72K1J-120JE	1	435031204R1
R8216	C-CARBON R	RN72K1J-390JE	1	435033904R1
R8217	C-CARBON R	RN72K1J-120JE	1	435031204R1
R8218	C-CARBON R	RN72K1J-120JE	1	435031204R1
R8219	C-CARBON R	RN72K1J-120JE	1	435031204R1
R8220	C-CARBON R	RN72K1J-120JE	1	435031204R1
R8221	C-CARBON R	RN72K1J-120JE	1	435031204R1
R8222	C-CARBON R	RN72K1J-120JE	1	435031204R1
R8223	C-CARBON R	RN72K1J-120JE	1	435031204R1
R8224	C-CARBON R	RN72K1J-120JE	1	435031204R1
R8225	C-CARBON R	RN72K1J-120JE	1	435031204R1
R8226	C-CARBON R	RN72K1J-390JE	1	435033904R1
R8227	C-CARBON R	RN72K1J-120JE	1	435031204R1
R8228	C-CARBON R	RN72K1J-390JE	1	435033904R1
R8229	C-CARBON R	RN72K1J-120JE	1	435031204R1
R8230	C-CARBON R	RN72K1J-390JE	1	435033904R1
R8231	C-CARBON R	RN72K1J-120JE	1	435031204R1
R8232	C-CARBON R	RN72K1J-390JE	1	435033904R1
R8236	C-CARBON R	RN72K1J-000JE	1	435030004R1

R8237	C-CARBON R	RN72K1J-000JE	1	435030004R1
R8239	C-CARBON R	RN72K1J-000JE	1	435030004R1
R8240	C-CARBON R	RN72K1J-000JE	1	435030004R1
R8241	C-CARBON R	RN72K1J-472JE	1	435034724R1
R8242	C-CARBON R	RN72K1J-103JE	1	435031034R1
R8243	C-CARBON R	RN72K1J-220JE	1	435032204R1
R8244	C-CARBON R	RN72K1J-102JE	1	435031024R1
R8245	C-CARBON R	RN72K1J-102JE	1	435031024R1
R8246	C-CARBON R	RN72K1J-103JE	1	435031034R1
R8247	C-CARBON R	RN72K1J-103JE	1	435031034R1
R8248	C-CARBON R	RN72K1J-103JE	1	435031034R1
R8249	C-CARBON R	RN72K1J-103JE	1	435031034R1
R8251	C-CARBON R	RN72K1J-472JE	1	435034724R1
R8252	C-CARBON R	RN72K1J-472JE	1	435034724R1
R8253	C-CARBON R	RN72K1J-102FE	1	435031022R1
R8254	C-CARBON R	RN72K1J-220JE	1	435032204R1
R8255	C-CARBON R	RN72K1J-220JE	1	435032204R1
R8256	C-CARBON R	RN72K1J-472JE	1	435034724R1
R8257	C-CARBON R	RN72K1J-472JE	1	435034724R1
R8258	C-CARBON R	RN72K1J-220JE	1	435032204R1
R8259	C-CARBON R	RN72K1J-220JE	1	435032204R1
R8260	C-R NET	RM7LJ220X04	1	43484722004R2
R8260 or	C-R NET	YCN104-220-JK	(1)	43464C22004R1
R8261	C-R NET	RM7LJ220X04	1	43484722004R2
R8261 or	C-R NET	YCN104-220-JK	(1)	43464C22004R1
R8262	C-R NET	RM7LJ220X04	1	43484722004R2
R8262 or	C-R NET	YCN104-220-JK	(1)	43464C22004R1
R8263	C-R NET	RM7LJ220X04	1	43484722004R2
R8263 or	C-R NET	YCN104-220-JK	(1)	43464C22004R1
R8264	C-R NET	RM7LJ220X04	1	43484722004R2
R8264 or	C-R NET	YCN104-220-JK	(1)	43464C22004R1
R8265	C-R NET	RM7LJ220X04	1	43484722004R2
R8265 or	C-R NET	YCN104-220-JK	(1)	43464C22004R1
R8266	C-R NET	RM7LJ220X04	1	43484722004R2
R8266 or	C-R NET	YCN104-220-JK	(1)	43464C22004R1
R8267	C-R NET	RM7LJ220X04	1	43484722004R2
R8267 or	C-R NET	YCN104-220-JK	(1)	43464C22004R1
R8268	C-R NET	RM7LJ330X04	1	43484733004R2
R8268 or	C-R NET	YCN104-330-JK	(1)	43464C33004R1
R8269	C-R NET	RM7LJ330X04	1	43484733004R2
R8269 or	C-R NET	YCN104-330-JK	(1)	43464C33004R1
R8270	C-R NET	RM7LJ330X04	1	43484733004R2
R8270 or	C-R NET	YCN104-330-JK	(1)	43464C33004R1
R8271	C-R NET	RM7LJ330X04	1	43484733004R2
R8271 or	C-R NET	YCN104-330-JK	(1)	43464C33004R1
R8272	C-R NET	RM7LJ330X04	1	43484733004R2
R8272 or	C-R NET	YCN104-330-JK	(1)	43464C33004R1
R8273	C-R NET	RM7LJ330X04	1	43484733004R2
R8273 or	C-R NET	YCN104-330-JK	(1)	43464C33004R1
R8274	C-R NET	RM7LJ330X04	1	43484733004R2
R8274 or	C-R NET	YCN104-330-JK	(1)	43464C33004R1
R8275	C-R NET	RM7LJ330X04	1	43484733004R2
R8275 or	C-R NET	YCN104-330-JK	(1)	43464C33004R1
R8276	C-R NET	RM7LJ330X04	1	43484733004R2
R8276 or	C-R NET	YCN104-330-JK	(1)	43464C33004R1
R8277	C-CARBON R	RN72K1J-100JE	1	435031004R1
R8278	C-R NET	RM7LJ330X04	1	43484733004R2
R8278 or	C-R NET	YCN104-330-JK	(1)	43464C33004R1
R8279	C-CARBON R	RN72K1J-101JE	1	435031014R1
R8280	C-CARBON R	RN72K1J-101JE	1	435031014R1
R8286	C-CARBON R	RN72K1J-000JE	1	435030004R1
R8287	C-CARBON R	RN72K1J-102FE	1	435031022R1
R8288	C-CARBON R	RN72K1J-103JE	1	435031034R1
R8289	C-CARBON R	RN72K1J-331JE	1	435033314R1
R8290	C-CARBON R	RN72K1J-331JE	1	435033314R1
R8291	C-CARBON R	RN72K1J-000JE	1	435030004R1
R8292	C-CARBON R	RN72K1J-000JE	1	435030004R1
R8293	C-CARBON R	RN72K1J-000JE	1	435030004R1
R8294	C-CARBON R	RN72K1J-000JE	1	435030004R1
R8295	C-CARBON R	RN72K1J-750JE	1	435037504R1
R8296	C-CARBON R	RN72K1J-750JE	1	435037504R1
R8297	C-CARBON R	RN72K1J-750JE	1	435037504R1
R8298	C-CARBON R	RN72K1J-750JE	1	435037504R1
R8301	C-CARBON R	RN72K1J-472JE	1	435034724R1
R8302	C-CARBON R	RN72K1J-100JE	1	435031004R1
R8303	C-CARBON R	RN72K1J-562JE	1	435035624R1

R8304	C-CARBON R	RN72K1J-100JE	1	435031004R1
R8305	C-CARBON R	RN72K1J-562JE	1	435035624R1
R8306	C-CARBON R	RN72K1J-100JE	1	435031004R1
R8307	C-CARBON R	RN72K1J-100JE	1	435031004R1
R8308	C-CARBON R	RN72K1J-562JE	1	435035624R1
R8309	C-CARBON R	RN72K1J-100JE	1	435031004R1
R8310	C-CARBON R	RN72K1J-562JE	1	435035624R1
R8311	C-CARBON R	RN72K1J-472JE	1	435034724R1
R8312	C-CARBON R	RN72K1J-100JE	1	435031004R1
R8313	C-CARBON R	RN72K1J-562JE	1	435035624R1
R8314	C-CARBON R	RN72K1J-222JE	1	435032224R1
R8315	C-CARBON R	RN72K1J-222JE	1	435032224R1
R8316	C-CARBON R	RN72K1J-103JE	1	435031034R1
R8317	C-CARBON R	RN72K1J-124JE	1	435031244R1
R8318	C-CARBON R	RN72K1J-562JE	1	435035624R1
R8320	C-R NET	RM7LJ220X04	1	43484722004R2
R8320 or	C-R NET	YCN104-220-JK	(1)	43464C22004R1
R8321	C-CARBON R	RN72K1J-181JE	1	435031814R1
R8322	C-CARBON R	RN72K1J-470JE	1	435034704R1
R8323	C-CARBON R	RN72K1J-181JE	1	435031814R1
R8324	C-CARBON R	RN72K1J-470JE	1	435034704R1
R8325	C-R NET	RM7LJ220X04	1	43484722004R2
R8325 or	C-R NET	YCN104-220-JK	(1)	43464C22004R1
R8328	C-CARBON R	RN72K1J-181JE	1	435031814R1
R8333	C-CARBON R	RN72K1J-181JE	1	435031814R1
R8334	C-CARBON R	RN72K1J-181JE	1	435031814R1
R8335	C-CARBON R	RN72K1J-181JE	1	435031814R1
R8336	C-R NET	RM7LJ220X04	1	43484722004R2
R8336 or	C-R NET	YCN104-220-JK	(1)	43464C22004R1
R8337	C-R NET	RM7LJ220X04	1	43484722004R2
R8337 or	C-R NET	YCN104-220-JK	(1)	43464C22004R1
R8338	C-CARBON R	RN72K1J-100JE	1	435031004R1
R8339	C-R NET	RM7LJ220X04	1	43484722004R2
R8339 or	C-R NET	YCN104-220-JK	(1)	43464C22004R1
R8340	C-R NET	RM7LJ220X04	1	43484722004R2
R8340 or	C-R NET	YCN104-220-JK	(1)	43464C22004R1
R8341	C-R NET	RM7LJ220X04	1	43484722004R2
R8341 or	C-R NET	YCN104-220-JK	(1)	43464C22004R1
R8342	C-CARBON R	RN72K1J-000JE	1	435030004R1
R8343	C-CARBON R	RN72K1J-000JE	1	435030004R1
R8345	C-CARBON R	RN72K1J-100JE	1	435031004R1
R8346	C-CARBON R	RN72K1J-473JE	1	435034734R1
R8347	C-CARBON R	RN72K1J-473JE	1	435034734R1
R8348	C-CARBON R	RN72K1J-473JE	1	435034734R1
R8349	C-CARBON R	RN72K1J-000JE	1	435030004R1
R8350	C-CARBON R	RN72K1J-000JE	1	435030004R1
R8351	C-CARBON R	RN72K1J-000JE	1	435030004R1
R8352	C-CARBON R	RN72K1J-102JE	1	435031024R1
R8354	C-CARBON R	RN72K1J-101JE	1	435031014R1
R8356	C-CARBON R	RN72K1J-000JE	1	435030004R1
R8357	C-CARBON R	RN72K1J-000JE	1	435030004R1
R8358	C-CARBON R	RN72K1J-000JE	1	435030004R1
R8359	C-CARBON R	RN72K1J-181JE	1	435031814R1
R8360	C-CARBON R	RN72K1J-181JE	1	435031814R1
R8361	C-CARBON R	RN72K1J-181JE	1	435031814R1
R8362	C-CARBON R	RN72K1J-101JE	1	435031014R1
R8363	C-CARBON R	RN72K1J-221JE	1	435032214R1
R8364	C-CARBON R	RN72K1J-221JE	1	435032214R1
R8365	C-CARBON R	RN72K1J-221JE	1	435032214R1
R8601	C-CARBON R	RN72K1J-473JE	1	435034734R1
R8602	C-CARBON R	RN72K1J-473JE	1	435034734R1
R8605	C-CARBON R	RN72K1J-473JE	1	435034734R1
R8606	C-CARBON R	RN72K1J-473JE	1	435034734R1
R8609	C-CARBON R	RN72K1J-473JE	1	435034734R1
R8610	C-CARBON R	RN72K1J-473JE	1	435034734R1
R8613	C-CARBON R	RN72K1J-473JE	1	435034734R1
R8614	C-CARBON R	RN72K1J-473JE	1	435034734R1
R8617	C-CARBON R	RN72K1J-473JE	1	435034734R1
R8618	C-CARBON R	RN72K1J-473JE	1	435034734R1
R8621	C-CARBON R	RN72K1J-473JE	1	435034734R1
R8622	C-CARBON R	RN72K1J-473JE	1	435034734R1
R8625	C-CARBON R	RN72K1J-473JE	1	435034734R1
R8626	C-CARBON R	RN72K1J-473JE	1	435034734R1
R8631	C-CARBON R	RN72K1J-000JE	1	435030004R1
R8632	C-CARBON R	RN72K1J-000JE	1	435030004R1
R8634	C-CARBON R	RN72K1J-473JE	1	435034734R1

R8636	C-CARBON R	RN72K1J-182JE	1	435031824R1
R8637	C-CARBON R	RN72K1J-182JE	1	435031824R1
R8638	C-CARBON R	RN72K1J-100JE	1	435031004R1
R8641	C-CARBON R	RN72K1J-000JE	1	435030004R1
R8642	C-CARBON R	RN72K1J-000JE	1	435030004R1
R8643	C-CARBON R	RN72K1J-000JE	1	435030004R1
R8645	C-CARBON R	RN72K1J-473JE	1	435034734R1
R8646	C-CARBON R	RN72K1J-473JE	1	435034734R1
R8649	C-CARBON R	RN72K1J-472JE	1	435034724R1
R8650	C-CARBON R	RN72K1J-472JE	1	435034724R1
R8652	C-CARBON R	RN72K1J-473JE	1	435034734R1
R8656	C-CARBON R	RN72K1J-474JE	1	435034744R1
R8695	C-CARBON R	RN72K1J-000JE	1	435030004R1
R8696	C-CARBON R	RN72K1J-000JE	1	435030004R1
R8701	C-CARBON R	RN72K1J-103JE	1	435031034R1
R8702	C-CARBON R	RN72K1J-000JE	1	435030004R1
R8703	C-CARBON R	RN72K1J-472JE	1	435034724R1
R8704	C-CARBON R	RN72K1J-472JE	1	435034724R1
R8705	C-CARBON R	RN72K1J-103JE	1	435031034R1
R8706	C-CARBON R	RN72K1J-472JE	1	435034724R1
R8707	C-CARBON R	RN72K1J-472JE	1	435034724R1
R8708	C-R NET	RM7LJ470X04	1	43484747004R2
R8708 or	C-R NET	YCN104-470-JK	(1)	43464C47004R1
R8709	C-R NET	RM7LJ103X04	1	43484710304R2
R8709 or	C-R NET	YCN104-103-JK	(1)	43464C10304R1
R8710	C-CARBON R	RN72K1J-222JE	1	435032224R1
R8711	C-CARBON R	RN72K1J-222JE	1	435032224R1
R8712	C-R NET	RM7LJ103X04	1	43484710304R2
R8712 or	C-R NET	YCN104-103-JK	(1)	43464C10304R1
R8713	C-CARBON R	RN72K1J-222JE	1	435032224R1
R8714	C-CARBON R	RN72K1J-222JE	1	435032224R1
R8715	C-CARBON R	RN72K1J-103JE	1	435031034R1
R8716	C-CARBON R	RN72K1J-222JE	1	435032224R1
R8717	C-CARBON R	RN72K1J-222JE	1	435032224R1
R8719	C-CARBON R	RN72K1J-470JE	1	435034704R1
R8720	C-CARBON R	RN72K1J-470JE	1	435034704R1
R8721	C-CARBON R	RN72K1J-470JE	1	435034704R1
R8724	C-CARBON R	RN72K1J-470JE	1	435034704R1
R8725	C-CARBON R	RN72K1J-470JE	1	435034704R1
R8726	C-R NET	RM7LJ222X04	1	43484722204R2
R8726 or	C-R NET	YCN104-222-JK	(1)	43464C22204R1
R8727	C-R NET	RM7LJ103X04	1	43484710304R2
R8727 or	C-R NET	YCN104-103-JK	(1)	43464C10304R1
R8728	C-CARBON R	RN72K1J-222JE	1	435032224R1
R8729	C-CARBON R	RN72K1J-222JE	1	435032224R1
R8730	C-R NET	RM7LJ103X04	1	43484710304R2
R8730 or	C-R NET	YCN104-103-JK	(1)	43464C10304R1
R8731	C-R NET	RM7LJ220X04	1	43484722004R2
R8731 or	C-R NET	YCN104-220-JK	(1)	43464C22004R1
R8732	C-CARBON R	RN72K1J-222JE	1	435032224R1
R8733	C-CARBON R	RN72K1J-222JE	1	435032224R1
R8734	C-CARBON R	RN72K1J-470JE	1	435034704R1
R8735	C-CARBON R	RN72K1J-222JE	1	435032224R1
R8736	C-CARBON R	RN72K1J-222JE	1	435032224R1
R8738	C-CARBON R	RN72K1J-103JE	1	435031034R1
R8739	C-CARBON R	RN72K1J-222JE	1	435032224R1
R8740	C-CARBON R	RN72K1J-222JE	1	435032224R1
R8741	C-CARBON R	RN72K1J-103JE	1	435031034R1
R8742	C-CARBON R	RN72K1J-222JE	1	435032224R1
R8743	C-CARBON R	RN72K1J-103JE	1	435031034R1
R8744	C-CARBON R	RN72K1J-103JE	1	435031034R1
R8745	C-CARBON R	RN72K1J-470JE	1	435034704R1
R8746	C-R NET	RM7LJ103X04	1	43484710304R2
R8746 or	C-R NET	YCN104-103-JK	(1)	43464C10304R1
R8747	C-CARBON R	RN72K1J-103JE	1	435031034R1
R8748	C-CARBON R	RN72K1J-103JE	1	435031034R1
R8751	C-R NET	RM7LJ470X04	1	43484747004R2
R8751 or	C-R NET	YCN104-470-JK	(1)	43464C47004R1
R8752	C-CARBON R	RN72K1J-101JE	1	435031014R1
R8753	C-CARBON R	RN72K1J-101JE	1	435031014R1
R8758	C-CARBON R	RN72K1J-103JE	1	435031034R1
R8759	C-CARBON R	RN72K1J-000JE	1	435030004R1
R8760	C-CARBON R	RN72K1J-472JE	1	435034724R1
R8764	C-CARBON R	RN72K1J-103JE	1	435031034R1
R8765	C-CARBON R	RN72K1J-103JE	1	435031034R1
R8801	C-CARBON R	RN72K1J-100JE	1	435031004R1

R8802	C-CARBON R	RN72K1J-100JE	1	435031004R1
R8803	C-CARBON R	RN72K1J-100JE	1	435031004R1
R8804	C-CARBON R	RN72K1J-100JE	1	435031004R1
R8805	C-CARBON R	RN72K1J-100JE	1	435031004R1
R8806	C-CARBON R	RN72K1J-100JE	1	435031004R1
R8807	C-CARBON R	RN72K1J-100JE	1	435031004R1
R8808	C-CARBON R	RN72K1J-100JE	1	435031004R1
R8901	C-CARBON R	RN72K1J-473JE	1	435034734R1
R8902	C-CARBON R	RN72K1J-473JE	1	435034734R1
R8903	C-CARBON R	RN72K1J-104JE	1	435031044R1
R8904	C-CARBON R	RN72K1J-103JE	1	435031034R1
R8905	C-CARBON R	RN72K1J-104JE	1	435031044R1
R8906	C-CARBON R	RN72K1J-274FE	1	435032742R1
R8907	C-CARBON R	RN72K1J-563FE	1	435035632R1
R8908	C-CARBON R	RN72K1J-103FE	1	435031032R1
R8909	C-CARBON R	RN72K1J-473JE	1	435034734R1
R8911	C-CARBON R	RN72K1J-473JE	1	435034734R1
R8912	C-CARBON R	RN72K1J-473JE	1	435034734R1
R8913	C-CARBON R	RN72K1J-104JE	1	435031044R1
R8914	C-CARBON R	RN72K1J-682JE	1	435036824R1
R8916	C-CARBON R	RN72K1J-333FE	1	435033332R1
R8917	C-CARBON R	RN72K1J-124FE	1	435031242R1
R8918	C-CARBON R	RN72K1J-103FE	1	435031032R1
R8919	C-CARBON R	RN72K1J-104JE	1	435031044R1
R8921	C-CARBON R	RN72K1J-473JE	1	435034734R1
R8922	C-CARBON R	RN72K1J-473JE	1	435034734R1
R8923	C-CARBON R	RN72K1J-104JE	1	435031044R1
R8924	C-CARBON R	RN72K1J-472JE	1	435034724R1
R8926	C-CARBON R	RN72K1J-123FE	1	435031232R1
R8927	C-CARBON R	RN72K1J-683FE	1	435036832R1
R8928	C-CARBON R	RN72K1J-103FE	1	435031032R1
R8929	C-CARBON R	RN72K1J-103JE	1	435031034R1
R8931	C-CARBON R	RN72K1J-473JE	1	435034734R1
R8932	C-CARBON R	RN72K1J-473JE	1	435034734R1
R8933	C-CARBON R	RN72K1J-104JE	1	435031044R1
R8934	C-CARBON R	RN72K1J-332JE	1	435033324R1
R8936	C-CARBON R	RN72K1J-472FE	1	435034722R1
R8937	C-CARBON R	RN72K1J-104FE	1	435031042R1
R8938	C-CARBON R	RN72K1J-103FE	1	435031032R1
R8943	C-CARBON R	RN72K1J-104JE	1	435031044R1
R8944	C-CARBON R	RN72K1J-332JE	1	435033324R1
R8946	C-CARBON R	RN72K1J-272FE	1	435032722R1
R8947	C-CARBON R	RN72K1J-333FE	1	435033332R1
R8948	C-CARBON R	RN72K1J-103FE	1	435031032R1
R8951	C-CARBON R	RN72K1J-473JE	1	435034734R1
R8953	C-CARBON R	RN72K1J-473JE	1	435034734R1
R8955	C-CARBON R	RN72K1J-472JE	1	435034724R1
R8957	C-CARBON R	RN72K1J-472JE	1	435034724R1
R8959	C-CARBON R	RN72K1J-472JE	1	435034724R1
R8961	C-CARBON R	RN72K1J-472JE	1	435034724R1
R8965	C-CARBON R	RN72K1J-104JE	1	435031044R1
R8966	C-CARBON R	RN72K1J-104JE	1	435031044R1
R8967	C-CARBON R	RN72K1J-104JE	1	435031044R1
R8975	C-CARBON R	RN72K2E-470JE	1	435224704R1
R8976	C-CARBON R	RN72K1J-473JE	1	435034734R1
R8981	C-CARBON R	RN72K1J-472JE	1	435034724R1
R8982	C-CARBON R	RN72K1J-473JE	1	435034734R1
R8985	C-CARBON R	RN72K1J-182JE	1	435031824R1
R8986	C-CARBON R	RN72K1J-102JE	1	435031024R1
R8987	C-CARBON R	RN72K1J-472JE	1	435034724R1
R8989	C-CARBON R	RN72K1J-103JE	1	435031034R1
R8990	C-CARBON R	RN72K1J-102JE	1	435031024R1
R8991	C-CARBON R	RN72K1J-331JE	1	435033314R1
R8992	C-CARBON R	RN72K1J-331JE	1	435033314R1
R8993	C-CARBON R	RN72K1J-331JE	1	435033314R1
R8994	C-CARBON R	RN72K1J-331JE	1	435033314R1
R8995	C-CARBON R	RN72K1J-331JE	1	435033314R1
R8997	C-R NET	RM7LJ051X04	1	43484705104R2
R8997 or	C-R NET	YCN104-5R1-JK	(1)	43484C05104R1
R8998	C-R NET	RM7LJ051X04	1	43484705104R2
R8998 or	C-R NET	YCN104-5R1-JK	(1)	43484C05104R1
R8999	C-CARBON R	RN72K1J-470JE	1	435034704R1
[SW TRM]				
P2100B	PLUG	NPLG-5P918	1	25055965R2
P2101B	SOCKET	IMSA-9618S-21A	1	25053346R2
P3002	SOCKET	NSCT-9P2472	1	25052575R2

P3101A	PLUG	NPLG-5P918	1	25055965R2	
P3102A	PLUG	NPLG-5P918	1	25055965R2	
P3103A	SOCKET	NSCT-9P2472	1	25052575R2	
P3104	SOCKET	RB1-105B8A1F	1	25053409	
P3201	RETAINER	(TRM)	1	25060507	
P3203	RETAINER	(TRM)	1	25060507	
P3401	SOCKET	NSCT-9P2472	1	25052575R2	
P3605A	SOCKET	IMSA-9111S-24L	1	25053259	
P3607A	SOCKET	IMSA-9111S-24L	1	25053259	
P3610	SOCKET	NSCT-8P2471	1	25052574R2	
P8002B	SOCKET	NSCT-9P2472	1	25052575R2	
P8030	SOCKET	IMSA-9618S-04A	1	25053329R2	
P8100	TRM-423(SCREW)	NEJITANSI ST3	1	25060495	
P8101	SOCKET	HDMI(47266-4201)	1	25053522R3	
P8101 or	SOCKET	HDMI(47266-4101)	(1)	25053389R3	
P8101 or	SOCKET	TCX3423-311387	(1)	25060513R3	
P8103	SOCKET	NSCT-11P2474	1	25052577R2	
P8104	SOCKET	NSCT-8P2471	1	25052574R2	
P8301	SOCKET	NSCT-8P2471	1	25052574R2	
P8591A	SOCKET	TCX3281-110187	1	25053520R3	N
P8601	SOCKET	HDMI(47266-4201)	1	25053522R3	
P8601 or	SOCKET	HDMI(47266-4101)	(1)	25053389R3	
P8601 or	SOCKET	TCX3423-311387	(1)	25060513R3	
P8602	SOCKET	HDMI(47266-4201)	1	25053522R3	
P8602 or	SOCKET	HDMI(47266-4101)	(1)	25053389R3	
P8602 or	SOCKET	TCX3423-311387	(1)	25060513R3	
P8603	SOCKET	HDMI(47266-4201)	1	25053522R3	
P8603 or	SOCKET	HDMI(47266-4101)	(1)	25053389R3	
P8603 or	SOCKET	TCX3423-311387	(1)	25060513R3	
P8604	SOCKET	HDMI(47266-4201)	1	25053522R3	
P8604 or	SOCKET	HDMI(47266-4101)	(1)	25053389R3	
P8604 or	SOCKET	TCX3423-311387	(1)	25060513R3	
P8605	SOCKET	HDMI(47266-4201)	1	25053522R3	
P8605 or	SOCKET	HDMI(47266-4101)	(1)	25053389R3	
P8605 or	SOCKET	TCX3423-311387	(1)	25060513R3	
P8606	SOCKET	HDMI(47266-4201)	1	25053522R3	
P8606 or	SOCKET	HDMI(47266-4101)	(1)	25053389R3	
P8606 or	SOCKET	TCX3423-311387	(1)	25060513R3	
P8607	SOCKET	HDMI(47266-4201)	1	25053522R3	
P8607 or	SOCKET	HDMI(47266-4101)	(1)	25053389R3	
P8607 or	SOCKET	TCX3423-311387	(1)	25060513R3	
P8608	SOCKET	HDMI(47266-4201)	1	25053522R3	
P8608 or	SOCKET	HDMI(47266-4101)	(1)	25053389R3	
P8608 or	SOCKET	TCX3423-311387	(1)	25060513R3	
P861B	PLUG	NPLG-3P916	1	25055963R2	
P8631A	SOCKET	HDMI(47266-4201)	1	25053522R3	N
P8631Aor	SOCKET	HDMI(47266-4101)	(1)	25053389R3	
P8631Aor	SOCKET	TCX3423-311387	(1)	25060513R3	
P8702	SOCKET	NSCT-9P2472	1	25052575R2	
P8703	SOCKET	NSCT-11P2474	1	25052577R2	
P8888A	SOCKET	IMSA-9111S-30L	1	25056701	N
P8985	PLUG	NPLG-2P116	1	25055132	
R8996	C-CARBON R	RN72K1J-000JE	1	435030004R1	
RL8601	RELAY	NRL-2P1A-DC4.5V-203	1	25065721R2	
RL8601 or	RELAY	NRL-2P2A-DC4.5V-204	(1)	25065722R2	
RL8602	RELAY	NRL-2P1A-DC4.5V-203	1	25065721R2	
RL8602 or	RELAY	NRL-2P2A-DC4.5V-204	(1)	25065722R2	
RL8603	RELAY	NRL-2P1A-DC4.5V-203	1	25065721R2	
RL8603 or	RELAY	NRL-2P2A-DC4.5V-204	(1)	25065722R2	
RL8691	RELAY	NRL-2P1A-DC4.5V-203	1	25065721R2	
RL8691 or	RELAY	NRL-2P2A-DC4.5V-204	(1)	25065722R2	

U008

BAHDM-1420-1A

: NSP

CIRCUIT NO.	PART NAME	DESCRIPTION	Q'TY	PART NO. (SN)	REMARKS
	[SEMI CONDUCTOR]				
Q8552	IC	NC7SZ08P5X_F042	1	22242482R2	
Q8558	IC	PCA9515ADRGR	1	22242817R2	
	[TRANS COIL]				
L3901	CORE	BLM18PG121SN1D	1	2350006R1	
L3902	CORE	BLM18PG121SN1D	1	2350006R1	
L3903	CORE	BLM18PG121SN1D	1	2350006R1	
L3905	CORE	BLM18PG121SN1D	1	2350006R1	

L8555	CORE	BLM18PG181SN1D	1	2350005R1	
L8556	CORE	BLM18PG181SN1D	1	2350005R1	
[CAPACITOR]					
C3902	C-CERA C	CK725B1H-103K0	1	332031035R1	
C3904	C-CERA C	CK725B1H-103K0	1	332031035R1	
C8551	C-CERA C	CK725B0J-226M	1	332092267R2	
C8555	C-CERA C	CK725B1C-104K0	1	332011045R1	
C8556	C-CERA C	CK725B1C-104K0	1	332011045R1	
C8559	C-CERA C	CK725B1H-102K0	1	332031025R1	
C8571	C-CERA C	CK725B1E-473K0	1	332024735R1	
C8573	C-CERA C	CK725B1H-103K0	1	332031035R1	
C8576	C-CERA C	CK725B1C-104K0	1	332011045R1	
C8577	C-CERA C	CK725B0J-106K	1	332091065R2	
[RESISTOR]					
R8553	C-CERA C	CK725B1H-103K1	1	332101035R1	
R8554	C-CERA C	CK725B1H-103K1	1	332101035R1	
R8555	C-CARBON R	RN72K1J-473JE	1	435034734R1	
R8557	C-CARBON R	RN72K1J-473JE	1	435034734R1	
R8572	C-CARBON R	RN72K1J-473JE	1	435034734R1	
R8573	C-CARBON R	RN72K1J-154JE	1	435031544R1	
R8574	C-CARBON R	RN72K1J-101JE	1	435031014R1	
R8575	C-CARBON R	RN72K1J-154JE	1	435031544R1	
R8576	C-CARBON R	RN72K1J-101JE	1	435031014R1	
R8578	C-CARBON R	RN72K1J-562JE	1	435035624R1	
R8579	C-CARBON R	RN72K1J-103JE	1	435031034R1	
R8580	C-CARBON R	RN72K1J-472FE	1	435034722R1	
R8580 or	C-CARBON R	RN72K1J-472JE	(1)	435034724R1	
R8581	C-CARBON R	RN72K1J-472FE	1	435034722R1	
R8581 or	C-CARBON R	RN72K1J-472JE	(1)	435034724R1	
[SW TRM]					
P3101B	PLUG	NPLG-5P918	1	25055965R2	
P3901	SOCKET	C00124K221700	1	25053410	
P3902	TRM	NTM-1P233(M1969)	1	25060302	
P8508	SOCKET	HDMI(47266-4201)	1	25053522R3	N
P8508 or	SOCKET	HDMI(47266-4101)	(1)	25053389R3	
P8508 or	SOCKET	TCX3423-311387	(1)	25060513R3	
P8591B	SOCKET	TCX3255-611187	1	25053413R3	
P861	SOCKET AS	NSAS-3P2235	1	2009991422UL	
P861A	WIRE HOL	NSCT-3P874	1	25051087	

U009

BAETC-1348-1B

: NSP

CIRCUIT NO.	PART NAME	DESCRIPTION	Q'TY	PART NO. (SN)	REMARKS
[SEMI CONDUCTOR]					
Q792	IC	S-13A1A33-U5T1U3	1	22242844R2	
[CAPACITOR]					
C790	C-CERA C	CK732B16V-106K	1	332071065R2	
C794	C-CERA C	CK725B1H-103K0	1	332031035R1	
C795	C-CERA C	CK725B1H-103K0	1	332031035R1	
C796	C-CERA C	CK725B1H-103K0	1	332031035R1	
C799	C-CERA C	CK732B16V-106K	1	332071065R2	
[SW TRM]					
P3102C	PLUG	NPLG-5P918	1	25055965R2	
P791B	SOCKET	DF40HC(2.5)-30DS-0.4V(70)	1	25053514R2	